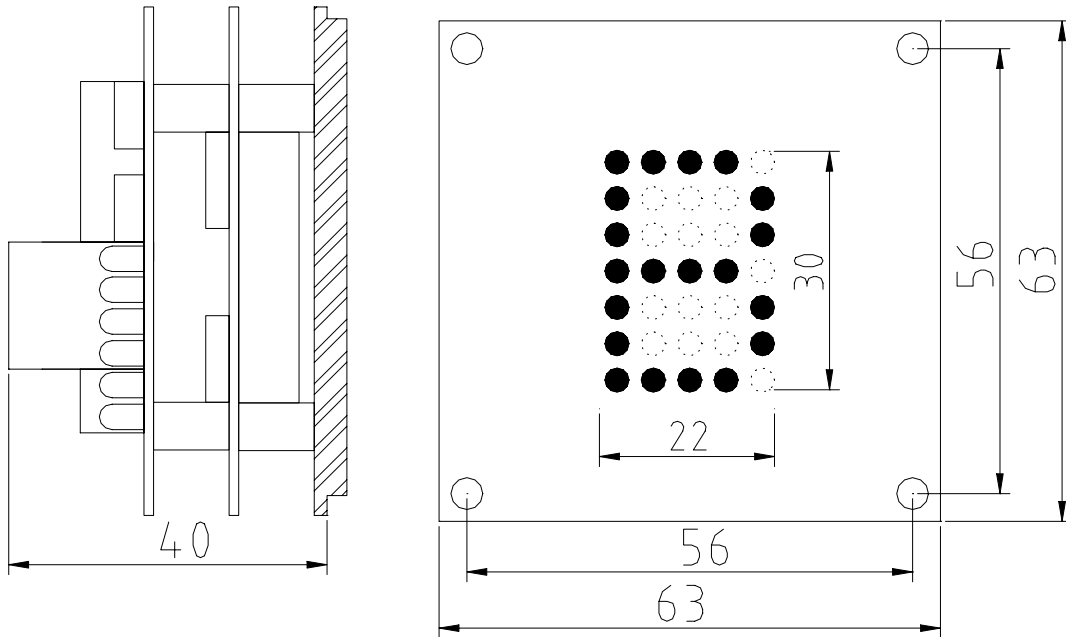


MFDU30-1



Faceplate Cut-Out: 40(h) x 32(w) mm

Fixings: 4x M3x30mm Studs

Description Single colour LED dot matrix display:7 rows, 5 columns, 30mm high, 22mm wide, 3mm dots

LED Colour Standard: Red or Green
Optional: Bright Amber, Blue (standard & super-bright) or White

Standard Floor Library -1, 0 to 9 and A to Z

Standard Features Single character position
Override hall lantern arrow
Out of service symbol
Vertical scrolling (floor changes & running arrows)

Switch Selectable Features Scrolling running arrow inserted between floor roll-over changes
Hall lanterns only
Scrolling running arrow overriding position
Hall lantern floor designations
Landing or car indicator function
Electronic chime volume

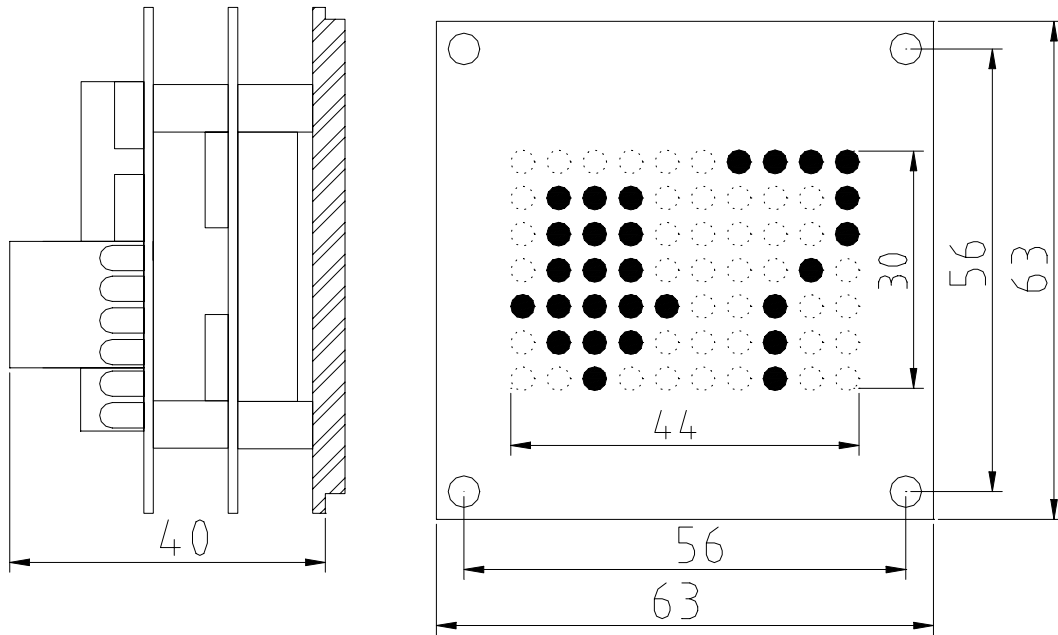
Electrical Detail Continuous power supply: 12vdc to 37vdc or 12vac to 24vac
Power supply consumption: 130mA @12vdc

General Unit supplied loose with a drilled & rebated Pacton lens (4.5mm thick, dark grey tinted) & fixing spacers

Optional Items Electronic chime
Stainless steel faceplate & mild steel backbox
Angled stainless steel surface mount enclosure

THIS UNIT CONNECTS ONTO OUR 4-WIRE NETWORK; THEREFORE, A CONTROL UNIT MUST BE ORDERED FOR EACH LIFT

MFDU30-2A



Faceplate Cut-Out: 40(h) x 55(w) mm

Fixings: 4x M3x30mm Studs

Description Single colour LED dot matrix display: 7 rows, 10 columns, 30mm high, 44mm wide, 3mm dots

LED Colour Standard: Red or Green
Optional: Bright Amber, Blue (standard & super-bright) or White

Standard Floor Library -1, 0 to 9 and A to Z

Standard Features Simultaneous single character position and running arrow
Override hall lantern arrow
Out of service symbol
Horizontal scrolling messages
Vertical scrolling (floor changes or running arrow and hall lantern arrows)

Switch Selectable Features Vertical scrolling running arrow or floor change
Hall lantern floor designations
Landing or car indicator function
Electronic chime volume

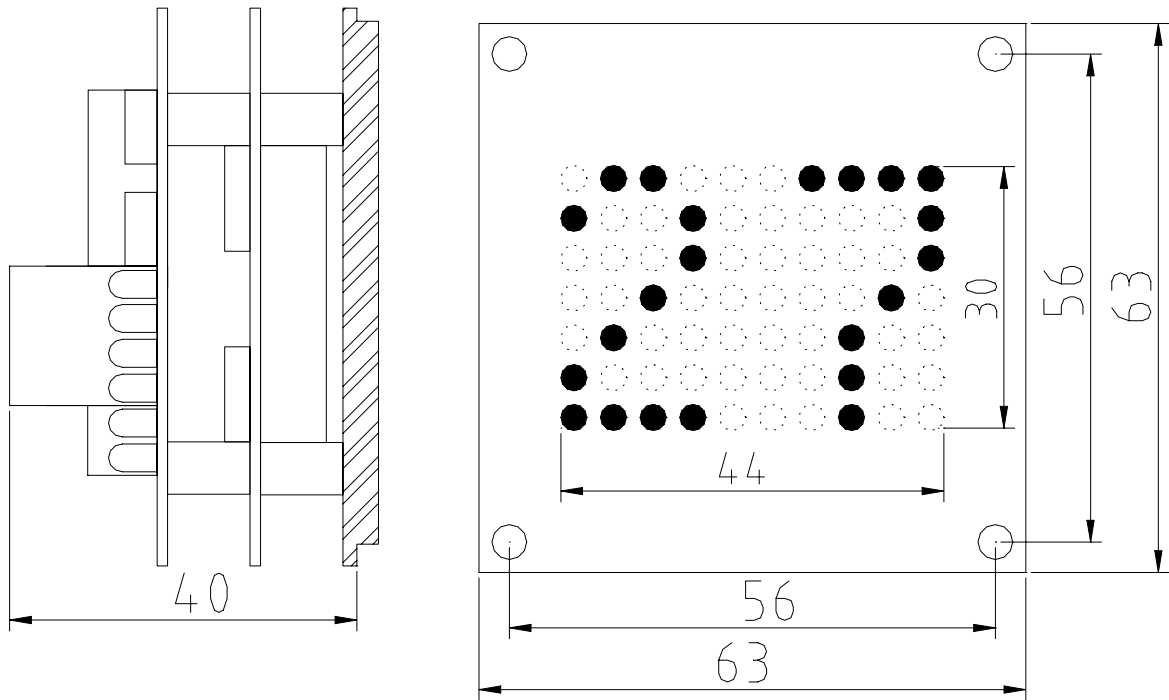
Electrical Detail Continuous power supply: 12vdc to 37vdc or 12vac to 24vac
Power supply consumption: 200mA @12vdc

General Unit supplied loose with a drilled & rebated Pacton lens (4.5mm thick, dark grey tinted) & fixing spacers

Optional Items Electronic chime
Stainless steel faceplate & mild steel backbox
Angled stainless steel surface mount enclosure
Slim-Line version – SMDU30-2AH or SMDU30-2AV (16mm deep – see data sheets)

THIS UNIT CONNECTS ONTO OUR 4-WIRE NETWORK; THEREFORE, A CONTROL UNIT MUST BE ORDERED FOR EACH LIFT

MFDU30-2



Faceplate Cut-Out: 40(h) x 55(w) mm

Fixings: 4x M3x30mm Studs

Description Single colour dot matrix LEDdisplay:7 rows, 10 columns, 30mm high, 44mm wide, 3mm dots

LED Colour Standard: Red or Green
Optional: Bright Amber, Blue (standard & super-bright) or White

Standard Floor Library 0 to 31, A to Z, -1 to -8, B1 to B8
LB, UB, SB, LG, UG, LM, UM, MZ, SL, CP, GR, 04, 03, 02, 01

Standard Features Double character position
Override hall lantern arrow
Out of service symbol
Horizontal scrolling messages
Vertical scrolling (floor changes and hall lantern arrows)

Switch Selectable Features Scrolling running arrow inserted between roll-over floor changes
Hall lantern floor designations
Landing or car indicator function
Electronic chime volume

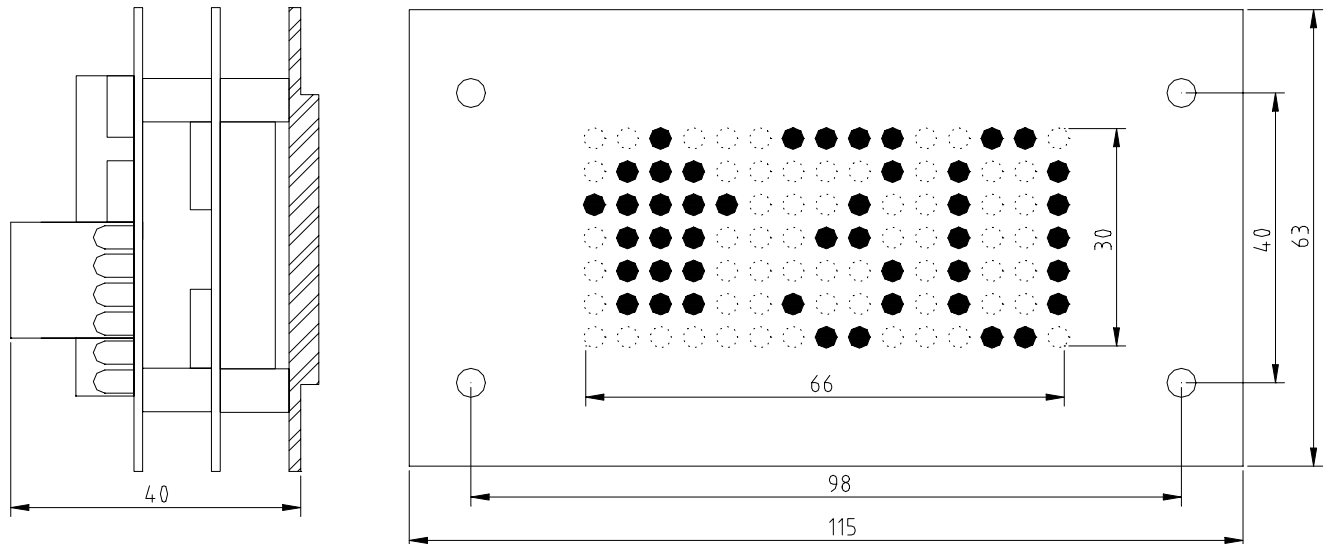
Electrical Detail Continuous power supply: 12vdc to 37vdc or 12vac to 24vac
Power supply consumption: 200mA @12vdc

General Unit supplied loose with a drilled & rebated Pacton lens (4.5mm thick, dark grey tinted) & fixing spacers

Optional Items Electronic chime
Stainless steel faceplate & mild steel backbox
Angled stainless steel surface mount enclosure
Slim-Line version – SMDU30-2H or SMDU30-2V (16mm deep – see data sheets)

THIS UNIT CONNECTS ONTO OUR 4-WIRE NETWORK; THEREFORE, A CONTROL UNIT MUST BE ORDERED FOR EACH LIFT

MFDU30-3H



Faceplate Cut-Out: 40(h) x 76(w) mm

Fixings: 4x M3x20mm Studs

Description Single colour LED dot matrix display: 7 rows, 15 columns, 30mm high, 66mm wide, 3mm dots

LED Colour Standard: Red or Green
Optional: Bright Amber, Blue (standard & super-bright) or White

Standard Floor Library 0 to 31, A to Z, -1 to -8, B1 to B8
LB, UB, SB, LG, UG, LM, UM, MZ, SL, CP, GR, 04, 03, 02, 01

Standard Features Simultaneous double character position and running arrow
Override hall lantern arrow
Out of service symbol
Horizontal scrolling messages
Vertical scrolling (floor changes or running arrow and hall lantern arrows)

Switch Selectable Features Vertical scrolling running arrow or floor change
Hall lantern floor designations
Landing or car indicator function
Electronic chime volume

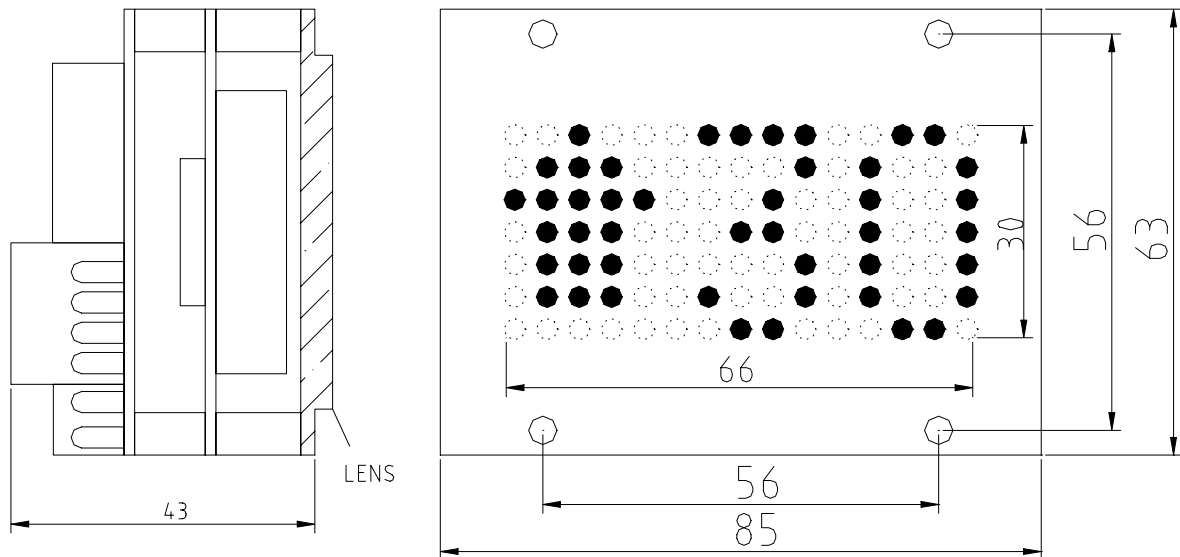
Electrical Detail Continuous power supply: 12vdc to 37vdc or 12vac to 24vac
Power supply consumption: 220mA @12vdc

General Unit supplied loose with a drilled & rebated Pacton lens (4.5mm thick, dark grey tinted) & fixing spacers

Optional Items Electronic chime
Stainless steel faceplate & mild steel backbox
Angled stainless steel surface mount enclosure
Slim-Line version – SMDU30-3H (16mm deep – see data sheet)

THIS UNIT CONNECTS ONTO OUR 4-WIRE NETWORK; THEREFORE, A CONTROL UNIT MUST BE ORDERED FOR EACH LIFT

MFDU30-3N



Faceplate Cut-Out: 40(h) x 76(w) mm

Fixings: 4x M3x20mm Studs

NOTE: THIS UNIT HAS IDENTICAL FEATURES TO THE MFDU30-3H, BU HAS A NARROWER FOOTPRINT

Description Single colour LED dot matrix display: 7 rows, 15 columns, 30mm high, 66mm wide, 3mm dots

LED Colour Standard: Red or Green
Optional: Bright Amber, Blue (standard & super-bright) or White

Standard Floor Library 0 to 31, A to Z, -1 to -8, B1 to B8
LB, UB, SB, LG, UG, LM, UM, MZ, SL, CP, GR, 04, 03, 02, 01

Standard Features Simultaneous double character position and running arrow
Override hall lantern arrow
Out of service symbol
Horizontal scrolling messages
Vertical scrolling (floor changes or running arrow and hall lantern arrows)

Switch Selectable Features Vertical scrolling running arrow or floor change
Hall lantern floor designations
Landing or car indicator function
Electronic chime volume

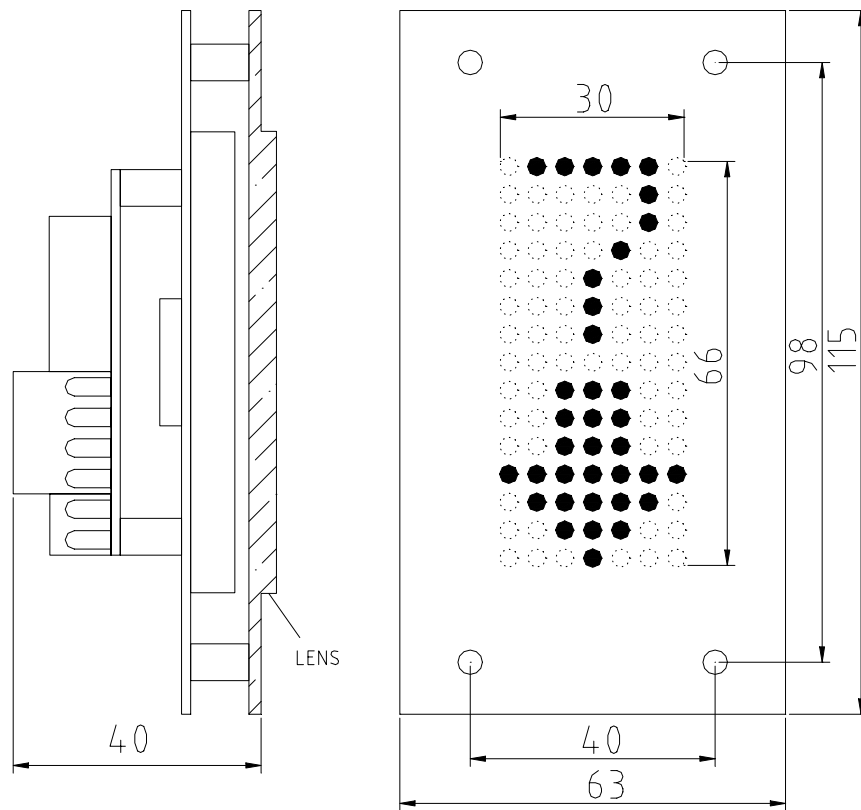
Electrical Detail Continuous power supply: 12vdc to 37vdc or 12vac to 24vac
Power supply consumption: 220mA @12vdc

General Unit supplied loose with a drilled & rebated Pacton lens (4.5mm thick, dark grey tinted) & fixing spacers

Optional Items Electronic chime
Stainless steel faceplate & mild steel backbox
Angled stainless steel surface mount enclosure
Slim-Line version – SMDU30-3H (16mm deep – see data sheet)

THIS UNIT CONNECTS ONTO OUR 4-WIRE NETWORK; THEREFORE, A CONTROL UNIT MUST BE ORDERED FOR EACH LIFT

MFDU30-3V



Faceplate Cut-Out: 76(h) x 40(w) mm

Fixings: 4x M3x20mm Studs

Description Single colour LED dot matrix display:15 rows, 7 columns, 66mm high, 30mm wide, 3mm dots

LED Colour Standard: Red or Green
Optional: Bright Amber, Blue (standard & super-bright) or White

Standard Floor Library 0 to 19, A to Z, -1 to -8

Standard Features Simultaneous double character position and running arrow
Override hall lantern arrow
Out of service symbol
Vertical scrolling messages
Vertical scrolling (floor changes or running arrow and hall lantern arrows)

Switch Selectable Features Vertical scrolling running arrow or floor change
Hall lantern floor designations
Landing or car indicator function
Electronic chime volume

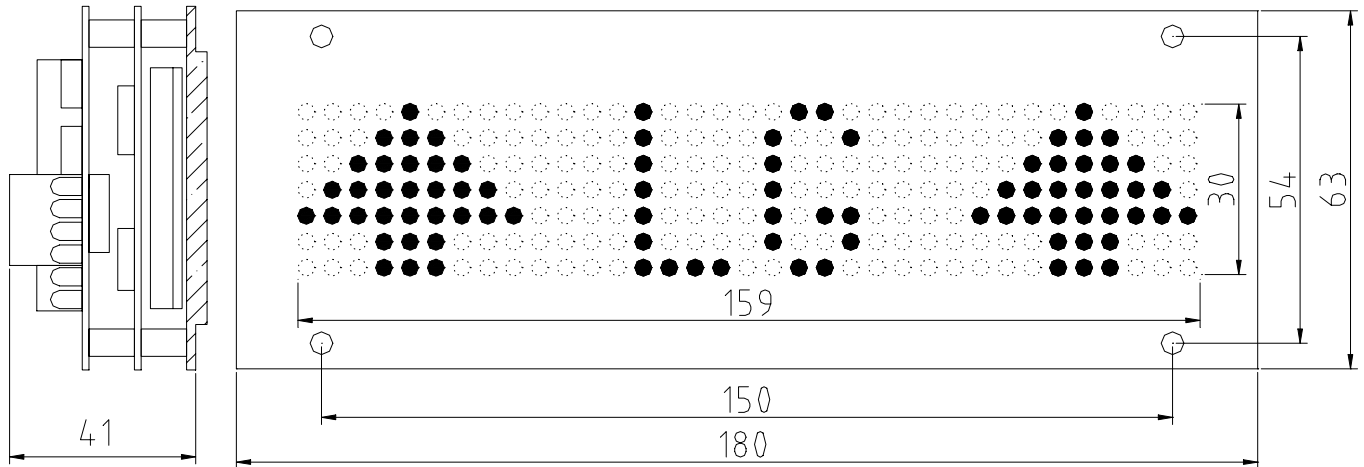
Electrical Detail Continuous power supply: 12vdc to 37vdc or 12vac to 24vac
Power supply consumption: 220mA @12vdc

General Unit supplied loose with a drilled & rebated Pacton lens (4.5mm thick, dark grey tinted) & fixing spacers

Optional Items Electronic chime
Stainless steel faceplate & mild steel backbox
Slim-Line version – SMDU30-3V (16mm deep – see data sheet)

THIS UNIT CONNECTS ONTO OUR 4-WIRE NETWORK; THEREFORE, A CONTROL UNIT MUST BE ORDERED FOR EACH LIFT

MFDU30-7H



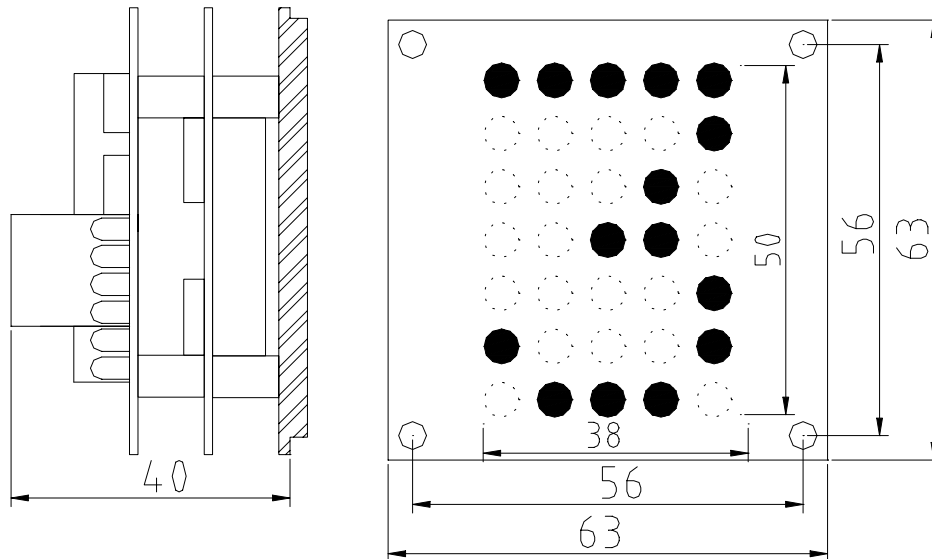
Faceplate Cut-Out: 40(h) x 169(w) mm

Fixings: 4x M3x20mm Studs

Description	Single colour LED dot matrix display: 7 rows, 35 columns, 30mm high, 159mm wide, 3mm dots
LED Colour	Standard: Red or Green Optional: Bright Amber, Blue (standard & super-bright) or White
Standard Floor Library	0 to 31, A to Z, -1 to -8, B1 to B8 LB, UB, SB, LG, UG, LM, UM, MZ, SL, CP, GR, 04, 03, 02, 01
Standard Features	Simultaneous double character position and running arrow Override hall lantern arrow and horizontally scrolling NEXT UP/ NEXT DOWN Out of service symbol Horizontal scrolling messages Vertical scrolling (floor changes or running arrow)
Switch Selectable Features	Vertical scrolling running arrow or floor change Hall lantern floor designations Landing or car indicator function Electronic chime volume
Electrical Detail	Continuous power supply: 12vdc to 37vdc or 12vac to 24vac Power supply consumption: 260mA @12vdc
General	Unit supplied loose with a drilled & rebated Pacton lens (4.5mm thick, dark grey tinted) & fixing spacers
Optional Items	Electronic chime Stainless steel faceplate & mild steel backbox Angled stainless steel surface mount enclosure Real-time clock

THIS UNIT CONNECTS ONTO OUR 4-WIRE NETWORK; THEREFORE, A CONTROL UNIT MUST BE ORDERED FOR EACH LIFT

MFDU50-1



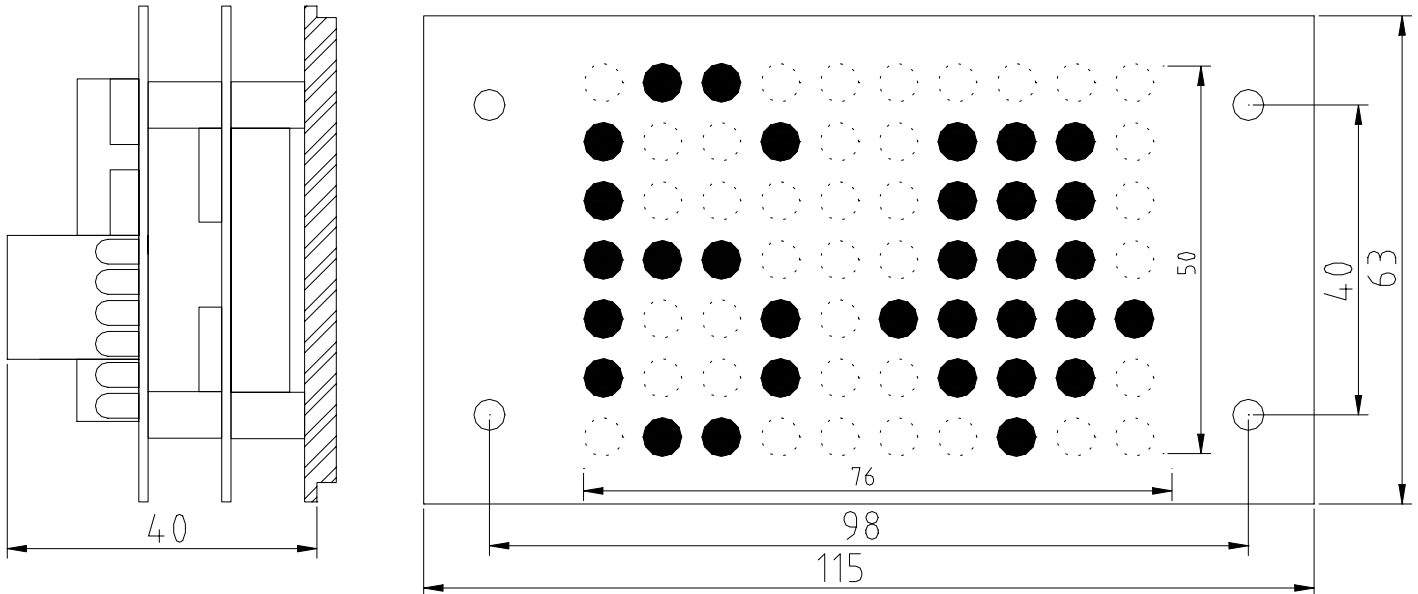
Faceplate Cut-Out: 60(h) x 48(w) mm

Fixings: 4x M3x30mm Studs

Description	Single colour LED dot matrix display: 7 rows, 5 columns, 50mm high, 38mm wide, 5mm dots (3mm dots on super-bright blue).
LED Colour	Standard: Red or Green Optional: Bright Amber, Blue (standard & super-bright) or White
Standard Floor Library	-1, 0 to 9 and A to Z
Standard Features	Single character position Override hall lantern arrow Out of service symbol Vertical scrolling (floor changes & running arrows)
Switch Selectable Features	Scrolling running arrow inserted between floor roll-over changes Hall lanterns only Scrolling running arrow overriding position Hall lantern floor designations Landing or car indicator function Electronic chime volume
Electrical Detail	Continuous power supply: 12vdc to 37vdc or 12vac to 24vac Power supply consumption: 130mA @12vdc
General	Unit supplied loose with a drilled & rebated Pacton lens (4.5mm thick, dark grey tinted) & fixing spacers
Optional Items	Electronic chime Stainless steel faceplate & mild steel backbox Angled stainless steel surface mount enclosure

THIS UNIT CONNECTS ONTO OUR 4-WIRE NETWORK; THEREFORE, A CONTROL UNIT MUST BE ORDERED FOR EACH LIFT

MFDU50-2A



Faceplate Cut-Out: 60(h) x 86(w) mm

Fixings: 4x M3x20mm Studs

Description Single colour LED dot matrix display: 7 rows, 10 columns, 50mm high, 76mm wide, 5mm dots (3mm dots on super-bright blue).

LED Colour Standard: Red or Green
Optional: Bright Amber, Blue (standard & super-bright) or White

Standard Floor Library -1, 0 to 9 and A to Z

Standard Features Simultaneous single character position and running arrow
Override hall lantern arrow
Out of service symbol
Horizontal scrolling messages
Vertical scrolling (floor changes or running arrow and hall lantern arrows)

Switch Selectable Features Vertical scrolling running arrow or floor change
Hall lantern floor designations
Landing or car indicator function
Electronic chime volume

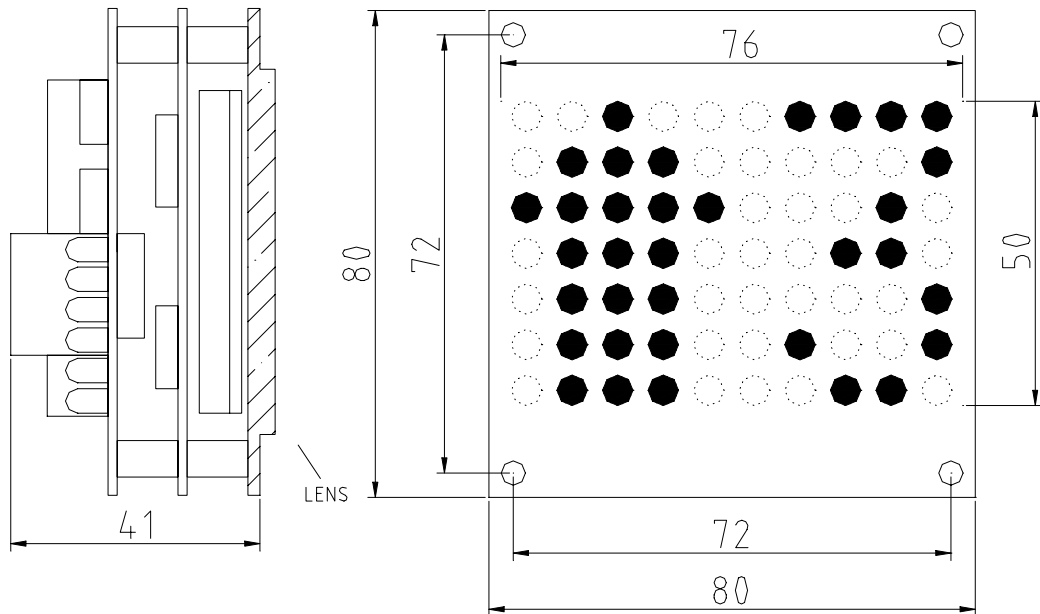
Electrical Detail Continuous power supply: 12vdc to 37vdc or 12vac to 24vac
Power supply consumption: 200mA @12vdc

General Unit supplied loose with a drilled & rebated Pacton lens (4.5mm thick, dark grey tinted) & fixing spacers

Optional Items Electronic chime
Stainless steel faceplate & mild steel backbox
Angled stainless steel surface mount enclosure
Slim-Line version – SMDU50-2A (16mm deep – see data sheet)

THIS UNIT CONNECTS ONTO OUR 4-WIRE NETWORK; THEREFORE, A CONTROL UNIT MUST BE ORDERED FOR EACH LIFT

MFDU50-2AV



Faceplate Cut-Out: 60(h) x 76(w) mm

Fixings: 4x M3x20mm Studs

NOTE: THIS UNIT HAS IDENTICAL FEATURES TO THE MFDU50-2A, BUT HAS A NARROWER FOOTPRINT

Description Single colour LED dot matrix display: 7 rows, 10 columns, 50mm high, 76mm wide, 5mm dots (3mm dots on super-bright blue).

LED Colour Standard: Red or Green
Optional: Bright Amber, Blue (standard & super-bright) or White

Standard Floor Library -1, 0 to 9 and A to Z

Standard Features Simultaneous single character position and running arrow
Override hall lantern arrow
Out of service symbol
Horizontal scrolling messages
Vertical scrolling (floor changes or running arrow and hall lantern arrows)

Switch Selectable Features Vertical scrolling running arrow or floor change
Hall lantern floor designations
Landing or car indicator function
Electronic chime volume

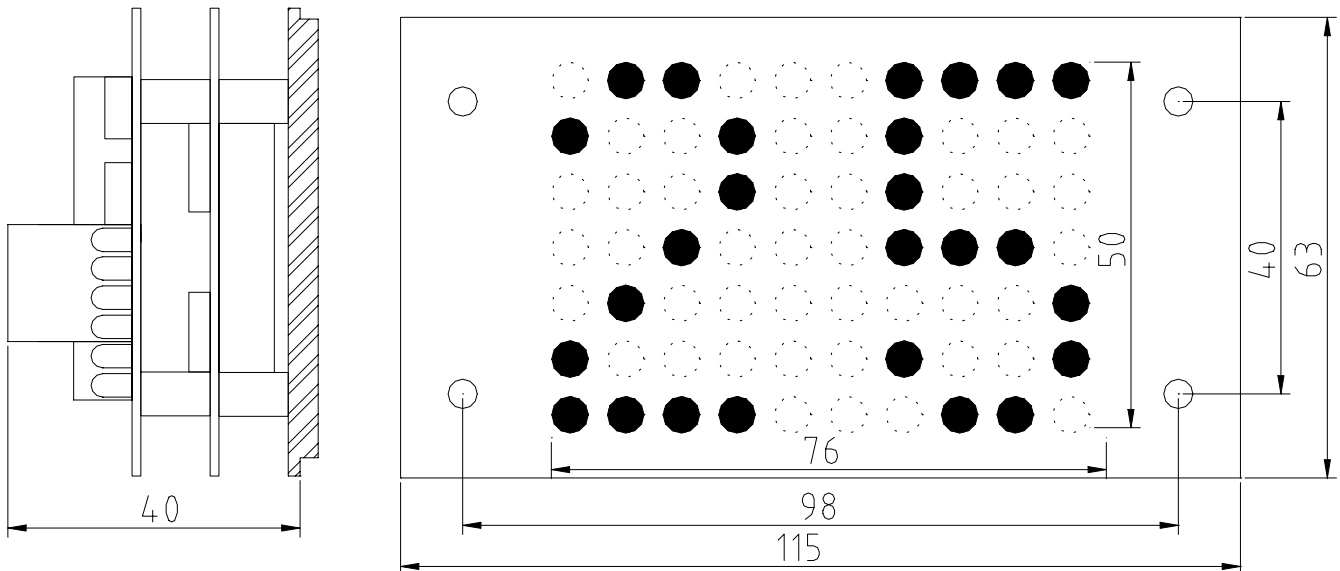
Electrical Detail Continuous power supply: 12vdc to 37vdc or 12vac to 24vac
Power supply consumption: 200mA @12vdc

General Unit supplied loose with a drilled & rebated Pacton lens (4.5mm thick, dark grey tinted) & fixing spacers

Optional Items Electronic chime
Stainless steel faceplate & mild steel backbox
Angled stainless steel surface mount enclosure
Slim-Line version – SMDU50-2A (16mm deep – see data sheet)

THIS UNIT CONNECTS ONTO OUR 4-WIRE NETWORK; THEREFORE, A CONTROL UNIT MUST BE ORDERED FOR EACH LIFT

MFDU50-2



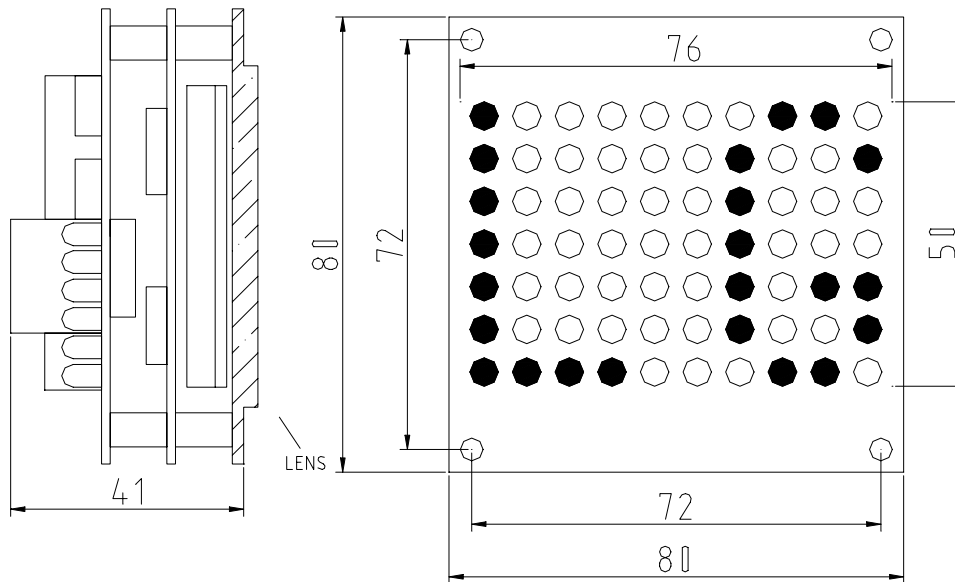
Faceplate Cut-Out: 60(h) x 86(w) mm

Fixings: 4x M3x20mm Studs

Description	Single colour dot matrix LED display: 7 rows, 10 columns, 50mm high, 76mm wide, 5mm dots (3mm dots on super-bright blue).
LED Colour	Standard: Red or Green Optional: Bright Amber, Blue (standard & super-bright) or White
Standard Floor Library	0 to 31, A to Z, -1 to -8, B1 to B8 LB, UB, SB, LG, UG, LM, UM, MZ, SL, CP, GR, 04, 03, 02, 01
Standard Features	Double character position Override hall lantern arrow Out of service symbol Horizontal scrolling messages Vertical scrolling (floor changes and hall lantern arrows)
Switch Selectable Features	Scrolling running arrow inserted between roll-over floor changes Hall lantern floor designations Landing or car indicator function Electronic chime volume
Electrical Detail	Continuous power supply: 12vdc to 37vdc or 12vac to 24vac Power supply consumption: 200mA @12vdc
General	Unit supplied loose with a drilled & rebated Pacton lens (4.5mm thick, dark grey tinted) & fixing spacers
Optional Items	Electronic chime Stainless steel faceplate & mild steel backbox Angled stainless steel surface mount enclosure Slim-Line version – SMDU50-2 (16mm deep – see data sheet)

THIS UNIT CONNECTS ONTO OUR 4-WIRE NETWORK; THEREFORE, A CONTROL UNIT MUST BE ORDERED FOR EACH LIFT

MFDU50-2V



Faceplate Cut-Out: 60(h) x 76(w) mm

Fixings: 4x M3x20mm Studs

NOTE: THIS UNIT HAS IDENTICAL FEATURES TO THE MFDU50-2, BUT HAS A NARROWER FOOTPRINT.

Description Single colour dot matrix LEDdisplay:7 rows, 10 columns, 50mm high, 76mm wide, 5mm dots (3mm dots on super-bright blue).

LED Colour Standard: Red or Green
Optional: Bright Amber, Blue (standard & super-bright) or White

Standard Floor Library 0 to 31, A to Z, -1 to -8, B1 to B8
LB, UB, SB, LG, UG, LM, UM, MZ, SL, CP, GR, 04, 03, 02, 01

Standard Features Double character position
Override hall lantern arrow
Out of service symbol
Horizontal scrolling messages
Vertical scrolling (floor changes and hall lantern arrows)

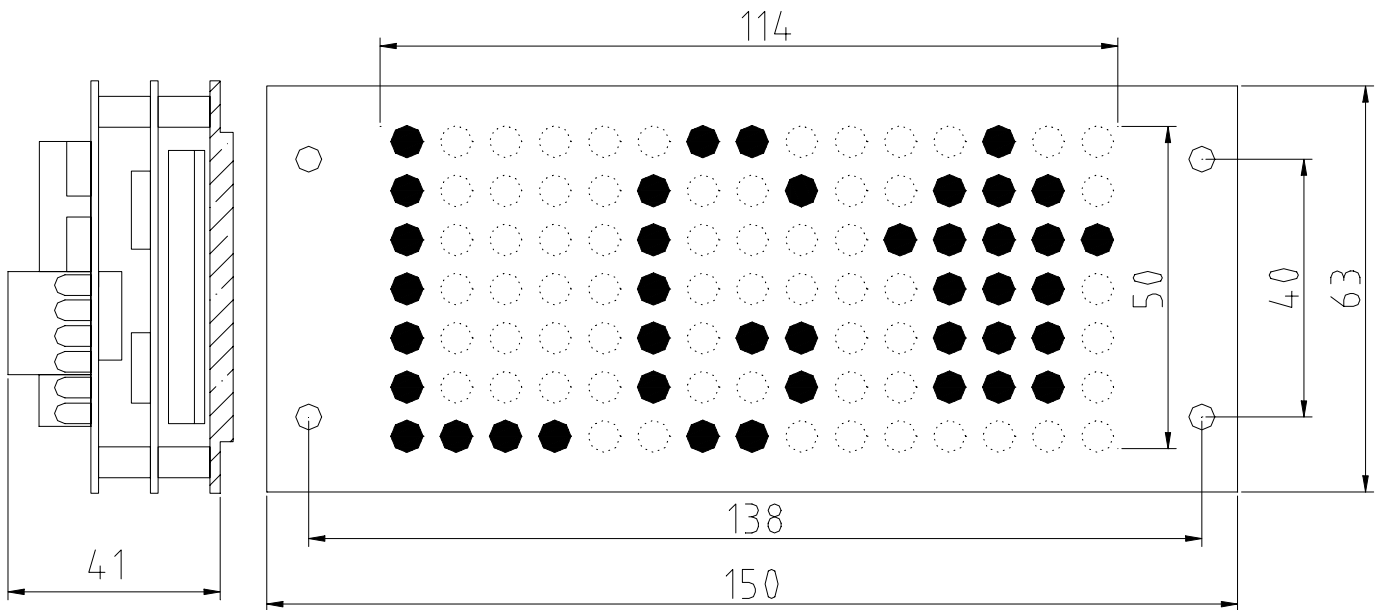
Switch Selectable Features Scrolling running arrow inserted between roll-over floor changes
Hall lantern floor designations
Landing or car indicator function
Electronic chime volume

Electrical Detail Continuous power supply: 12vdc to 37vdc or 12vac to 24vac
Power supply consumption: 200mA @12vdc

General Unit supplied loose with a drilled & rebated Pacton lens (4.5mm thick, dark grey tinted) & fixing spacers

Optional Items Electronic chime
Stainless steel faceplate & mild steel backbox
Angled stainless steel surface mount enclosure
Slim-Line version – SMDU50-2 (16mm deep – see data sheet)

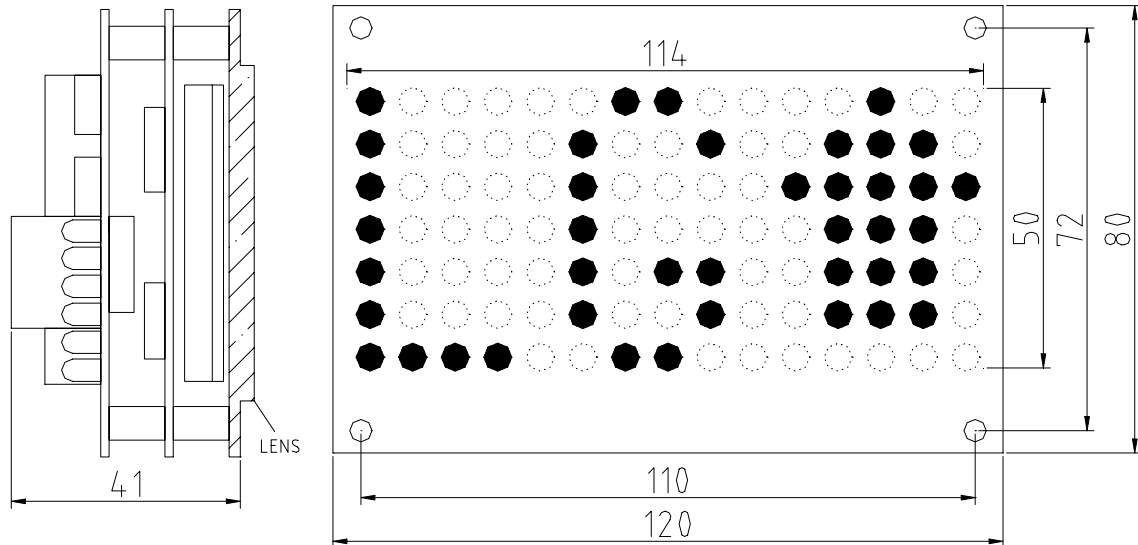
THIS UNIT CONNECTS ONTO OUR 4-WIRE NETWORK; THEREFORE, A CONTROL UNIT MUST BE ORDERED FOR EACH LIFT

MFDU50-3H**Faceplate Cut-Out: 60(h) x 124(w) mm****Fixings: 4x M3x20mm Studs**

- Description** Single colour LED dot matrix display: 7 rows, 15 columns, 50mm high, 114mm wide, 5mm dots (3mm dots super-bright blue LEDs).
- LED Colour** Standard: Red or Green
Optional: Bright Amber, Blue (standard & super-bright) or White
- Standard Floor Library** 0 to 31, A to Z, -1 to -8, B1 to B8
LB, UB, SB, LG, UG, LM, UM, MZ, SL, CP, GR, 04, 03, 02, 01
- Standard Features** Simultaneous double character position and running arrow
Override hall lantern arrow
Out of service symbol
Horizontal scrolling messages
Vertical scrolling (floor changes or running arrow and hall lantern arrows)
- Switch Selectable Features** Vertical scrolling running arrow or floor change
Hall lantern floor designations
Landing or car indicator function
Electronic chime volume
- Electrical Detail** Continuous power supply: 12vdc to 37vdc or 12vac to 24vac
Power supply consumption: 220mA @12vdc
- General** Unit supplied loose with a drilled & rebated Pacton lens (4.5mm thick, dark grey tinted) & fixing spacers
- Optional Items** Electronic chime
Stainless steel faceplate & mild steel backbox
Angled stainless steel surface mount enclosure
Slim-Line version – SMDU50-3H (16mm deep – see data sheet)

THIS UNIT CONNECTS ONTO OUR 4-WIRE NETWORK; THEREFORE, A CONTROL UNIT MUST BE ORDERED FOR EACH LIFT

MFDU50-3N



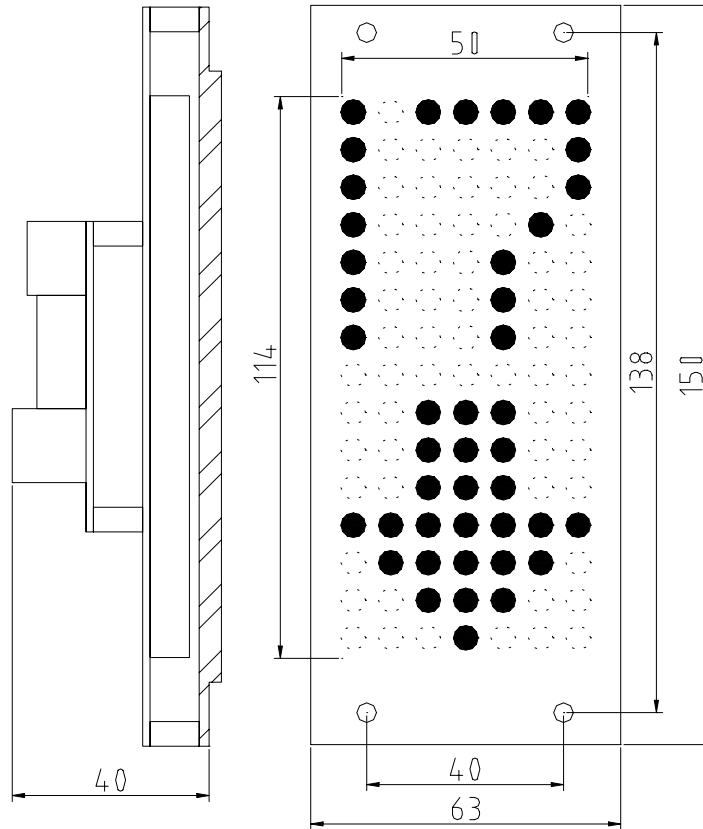
Faceplate Cut-Out: 60(h) x 116(w) mm

Fixings: 4x M3x20mm Studs

NOTE: THIS UNIT HAS IDENTICAL FEATURES TO THE MFDU50-3H, BUT HAS A NARROWER FOOTPRINT

Description	Single colour LED dot matrix display: 7 rows, 15 columns, 50mm high, 114mm wide, 5mm dots (3mm dots super-bright blue LEDs).
LED Colour	Standard: Red or Green Optional: Bright Amber, Blue (standard & super-bright) or White
Standard Floor Library	0 to 31, A to Z, -1 to -8, B1 to B8 LB, UB, SB, LG, UG, LM, UM, MZ, SL, CP, GR, 04, 03, 02, 01
Standard Features	Simultaneous double character position and running arrow Override hall lantern arrow Out of service symbol Horizontal scrolling messages Vertical scrolling (floor changes or running arrow and hall lantern arrows)
Switch Selectable Features	Vertical scrolling running arrow or floor change Hall lantern floor designations Landing or car indicator function Electronic chime volume
Electrical Detail	Continuous power supply: 12vdc to 37vdc or 12vac to 24vac Power supply consumption: 220mA @12vdc
General	Unit supplied loose with a drilled & rebated Pacton lens (4.5mm thick, dark grey tinted) & fixing spacers
Optional Items	Electronic chime Stainless steel faceplate & mild steel backbox Angled stainless steel surface mount enclosure Slim-Line version – SMDU50-3H (16mm deep – see data sheet)

THIS UNIT CONNECTS ONTO OUR 4-WIRE NETWORK; THEREFORE, A CONTROL UNIT MUST BE ORDERED FOR EACH LIFT

MFDU50-3V

Faceplate Cut-Out: 124(h) x 60(w) mm

Fixings: 4x M3x20mm Studs

Description Single colour LED dot matrix display: 15 rows, 7 columns, 116mm high, 50mm wide, 5mm dots

LED Colour Standard: Red or Green
Optional: Bright Amber, Blue (standard & super-bright) or White

Standard Floor Library 0 to 19, A to Z, -1 to -8

Standard Features
 Simultaneous double character position and running arrow
 Override hall lantern arrow
 Out of service symbol
 Vertical scrolling messages
 Vertical scrolling (floor changes or running arrow and hall lantern arrows)

Switch Selectable Features
 Vertical scrolling running arrow or floor change
 Hall lantern floor designations
 Landing or car indicator function
 Electronic chime volume

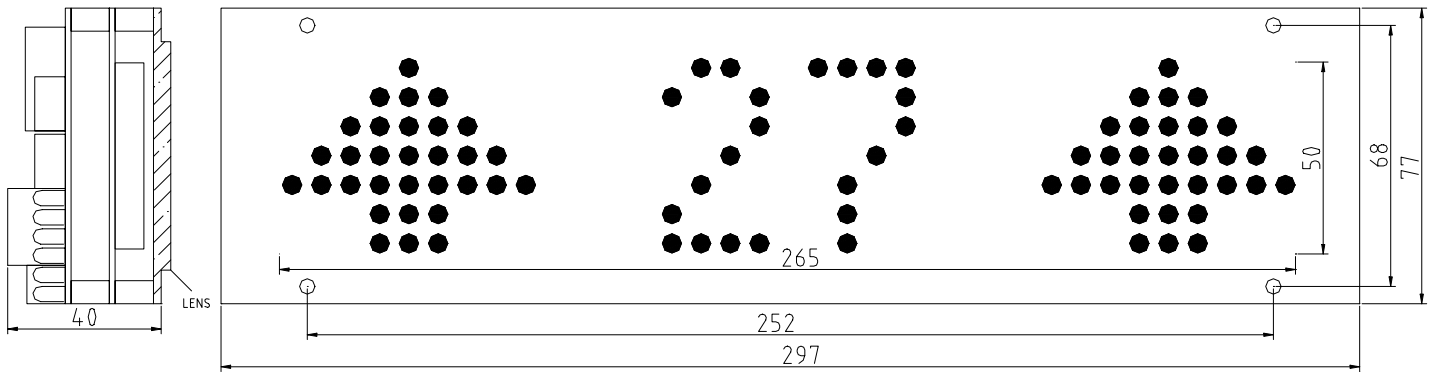
Electrical Detail
 Continuous power supply: 12vdc to 37vdc or 12vac to 24vac
 Power supply consumption: 220mA @12vdc

General
 Unit supplied loose with a drilled & rebated Pacton lens (4.5mm thick, dark grey tinted) & fixing spacers

Optional Items
 Electronic chime
 Stainless steel faceplate & mild steel backbox
 Slim-Line version – SMDU50-3V (16mm deep – see data sheet)

THIS UNIT CONNECTS ONTO OUR 4-WIRE NETWORK; THEREFORE, A CONTROL UNIT MUST BE ORDERED FOR EACH LIFT

MFDU50-7H



Faceplate Cut-Out: 60(h) x 277(w) mm

Fixings: 4x M3x20mm Studs

Description Single colour LED dot matrix display: 7 rows, 35 columns, 50mm high, 265mm wide, 5mm dots

LED Colour Standard: Red or Green
Optional: Bright Amber, Blue (standard & super-bright) or White

Standard Floor Library 0 to 31, A to Z, -1 to -8, B1 to B8
LB, UB, SB, LG, UG, LM, UM, MZ, SL, CP, GR, 04, 03, 02, 01

Standard Features Simultaneous double character position and running arrow
Override hall lantern arrow and horizontally scrolling NEXT UP/ NEXT DOWN
Out of service symbol
Horizontal scrolling messages
Vertical scrolling (floor changes or running arrow)

Switch Selectable Features Vertical scrolling running arrow or floor change
Hall lantern floor designations
Landing or car indicator function
Electronic chime volume

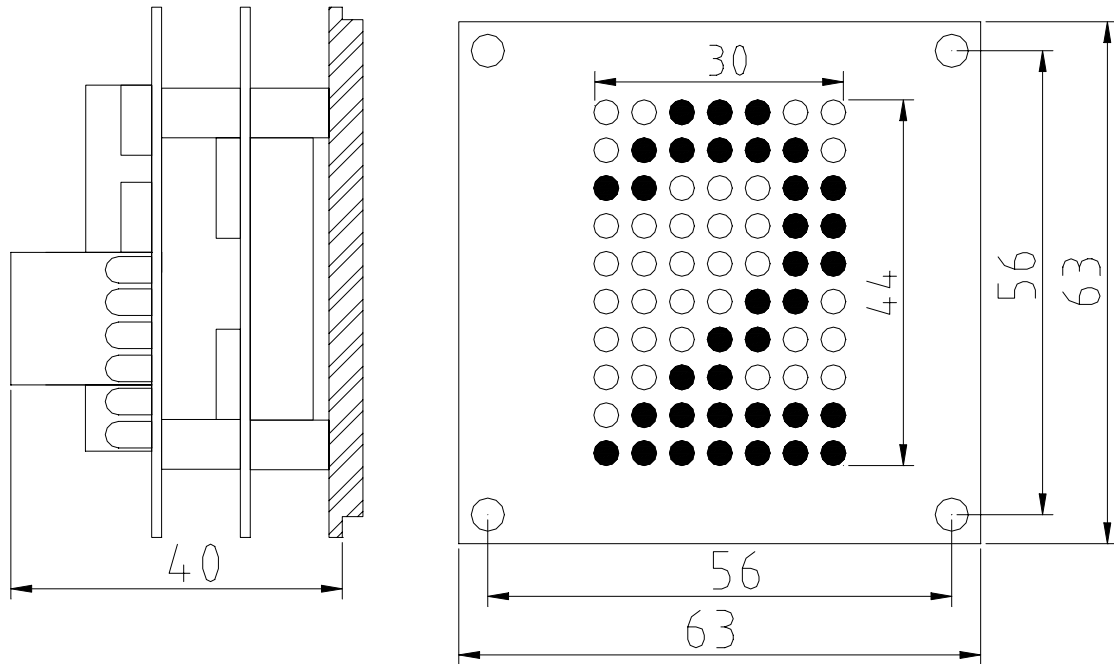
Electrical Detail Continuous power supply: 12vdc to 37vdc or 12vac to 24vac
Power supply consumption: 260mA @12vdc

General Unit supplied loose with a drilled & rebated Pacton lens (4.5mm thick, dark grey tinted) & fixing spacers

Optional Items Electronic chime
Stainless steel faceplate & mild steel backbox
Angled stainless steel surface mount enclosure
Real-time clock

THIS UNIT CONNECTS ONTO OUR 4-WIRE NETWORK; THEREFORE, A CONTROL UNIT MUST BE ORDERED FOR EACH LIFT

MFDU45-1



Faceplate Cut-Out: 55(h) x 40(w) mm

Fixings: 4x M3x30mm Studs

Description Single colour LED dot matrix display: 10 rows, 7 columns, 44mm high, 30mm wide, 3mm dots

LED Colour Standard: Red or Green
Optional: Bright Amber, Blue (standard & super-bright) or White

Standard Floor Library -1, 0 to 9 and A to Z

Standard Features Single character position
Override hall lantern arrow
Out of service symbol
Vertical scrolling (floor changes & running arrows)

Switch Selectable Features Scrolling running arrow inserted between floor roll-over changes
Hall lanterns only
Scrolling running arrow overriding position
Hall lantern floor designations
Landing or car indicator function
Electronic chime volume

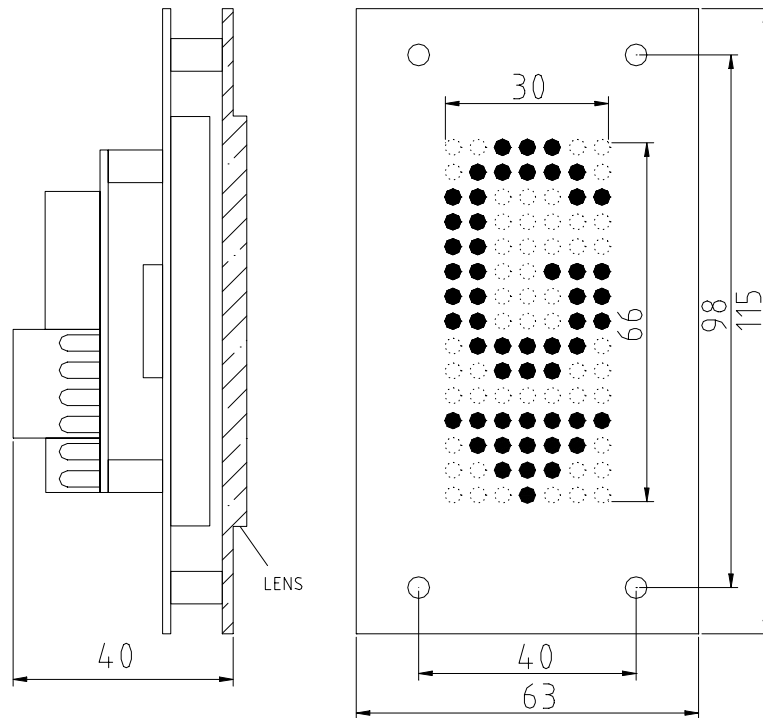
Electrical Detail Continuous power supply: 12vdc to 37vdc or 12vac to 24vac
Power supply consumption: 200mA @12vdc

General Unit supplied loose with a drilled & rebated Pacton lens (4.5mm thick, dark grey tinted) & fixing spacers

Optional Items Electronic chime
Stainless steel faceplate & mild steel backbox
Angled stainless steel surface mount enclosure
Slim-Line versions – SMDU45V or SMDU45H (16mm deep - see data sheets)

THIS UNIT CONNECTS ONTO OUR 4-WIRE NETWORK; THEREFORE, A CONTROL UNIT MUST BE ORDERED FOR EACH LIFT

MFDU45-1V



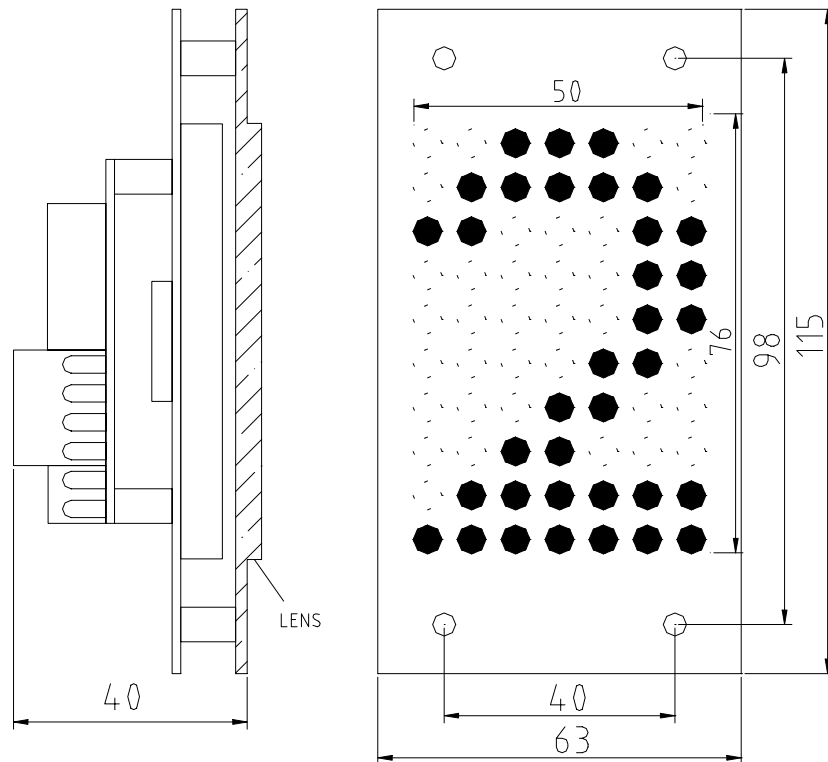
Faceplate Cut-Out: 76(h) x 40(w) mm

Fixings: 4x M3x20mm Studs

Description	Single colour LED dot matrix display: three block, 15 rows, 7 columns, 66mm high, 30mm wide, 3mm dots.
LED Colour	Standard: Red or Green Optional: Bright Amber, Blue or White
Standard Floor Library	-1, 0 to 9 and A to Z
Standard Features	Simultaneous single character position and running arrow Override hall lantern arrow (static, scrolling or flashing) Out of service symbol Vertical scrolling (floor changes or running arrows and hall lanterns) Horizontal scrolling messages
Switch Selectable Features	Vertical scrolling running arrow or floor change Hall lantern floor designation Landing or car indicator function Electronic chime volume
Electrical Detail	Continuous power supply: 12vdc to 37vdc or 12vac to 24vac Power consumption: 220mA @ 12vdc
General	Unit supplied loose with a drilled & rebated Pacton lens (4.5mm thick, dark grey tinted) & fixing spacers.
Optional Items	Electronic chime Stainless steel faceplate & mild steel backbox Slim-Line version – SMDU45-1V (16mm deep – see data sheet)

THIS PRODUCT CONNECTS TO OUR 4-WIRE NETWORK; THEREFORE, A CONTROL UNIT OR MULTI-FUNCTION SPEECH UNIT MUST BE ORDERED FOR EACH LIFT.

MFDU76-1



Faceplate Cut-Out: 86(h) x 60(w) mm

Fixings: 4x M3x30mm Studs

Description Single colour LED dot matrix display: 10 rows, 7 columns, 76mm high, 50mm wide, 5mm dots

LED Colour Standard: Red or Green
Optional: Bright Amber, Blue (standard & super-bright) or White

Standard Floor Library -1, 0 to 9 and A to Z

Standard Features Single character position
Override hall lantern arrow
Out of service symbol
Vertical scrolling (floor changes & running arrows)

Switch Selectable Features Scrolling running arrow inserted between floor roll-over changes
Hall lanterns only
Scrolling running arrow overriding position
Hall lantern floor designations
Landing or car indicator function
Electronic chime volume

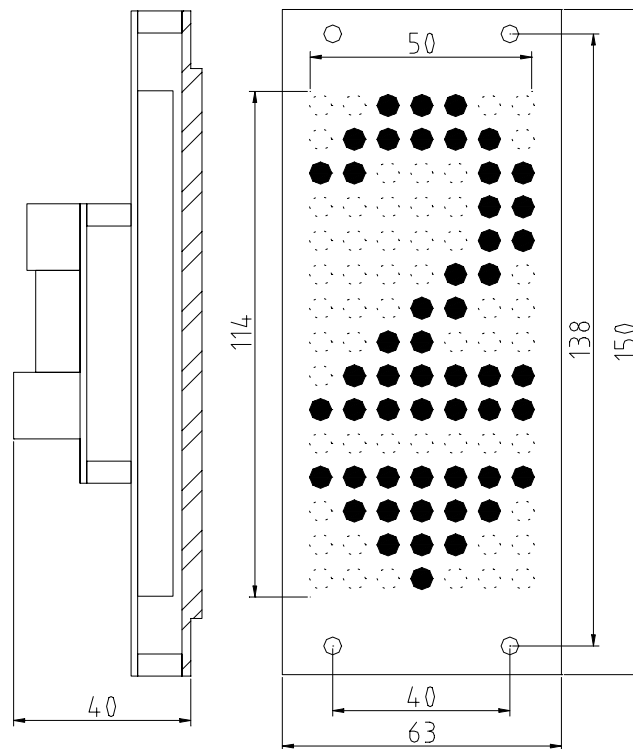
Electrical Detail Continuous power supply: 12vdc to 37vdc or 12vac to 24vac
Power supply consumption: 200mA @12vdc

General Unit supplied loose with a drilled & rebated Pacton lens (4.5mm thick, dark grey tinted) & fixing spacers

Optional Items Electronic chime
Stainless steel faceplate & mild steel backbox
Slim-Line versions – SMDU76-1 (16mm deep - see data sheets)

THIS UNIT CONNECTS ONTO OUR 4-WIRE NETWORK; THEREFORE, A CONTROL UNIT MUST BE ORDERED FOR EACH LIFT

MFDU76-1V



Faceplate Cut-Out: 124(h) x 60(w) mm

Fixings: 4x M3x20mm Studs

Description Single colour LED dot matrix display: three block, 15 rows, 7 columns, 116mm high, 50mm wide, 5mm dots.

LED Colour Standard: Red or Green
Optional: Bright Amber, Blue or White

Standard Floor Library -1, 0 to 9 and A to Z

Standard Features Simultaneous single character position and running arrow
Override hall lantern arrow (static, scrolling or flashing)
Out of service symbol
Vertical scrolling floor changes or running arrows and hall lanterns
Vertical scrolling messages

Switch Selectable Features Vertical scrolling running arrow or floor change
Hall lantern floor designation
Landing or car indicator function
Electronic chime volume

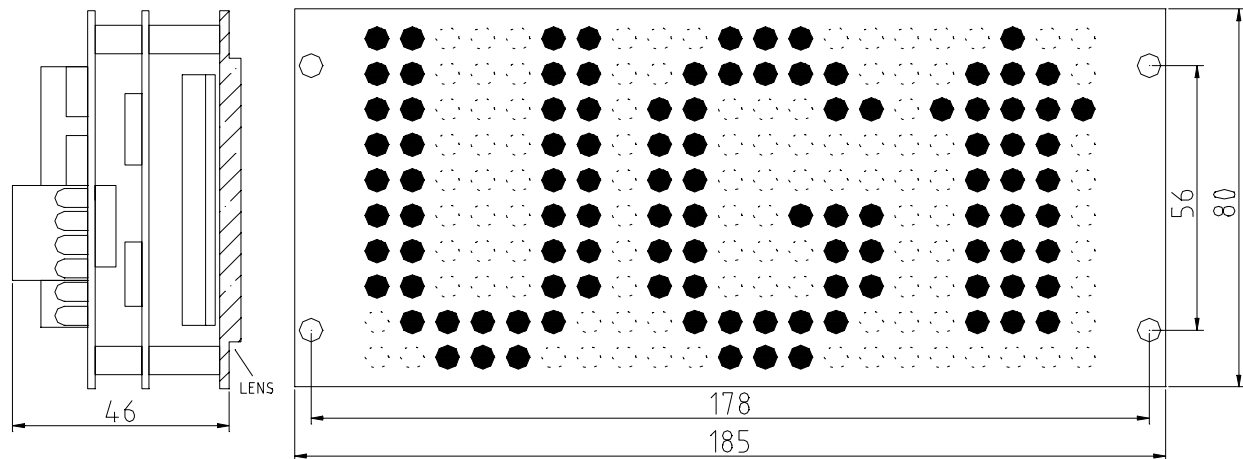
Electrical Detail Continuous power supply: 12vdc to 37vdc or 12vac to 24vac
Power consumption: 220mA @ 12vdc

General Unit supplied loose with a drilled & rebated Pacton lens (4.5mm thick, dark grey tinted) & fixing spacers.

Optional Items Electronic chime
Stainless steel faceplate & mild steel backbox
Slim-Line version – SMDU76-1V (16mm deep – see data sheet)

THIS PRODUCT CONNECTS TO OUR 4-WIRE NETWORK; THEREFORE, A CONTROL UNIT OR MULTI-FUNCTION SPEECH UNIT MUST BE ORDERED FOR EACH LIFT.

MFDU76-3H



Faceplate Cut-Out: 76(h) x 167(w) mm

Fixing: 4x M3x30mm Studs

Description

Single colour LED dot matrix display: six block, 10 rows, 21 columns, 76mm high, 167mm wide, 5mm dots.

LED Colour

Standard: Red or Green
Optional: Bright Amber

Standard Floor Library

0 to 31, A to Z, -1 to -8, B1 to B8
LB, UB, SB, LG, UG, LM, UM, MZ, SL, CP, GR, 04, 03, 02, 01

Standard Features

Simultaneous double character position and running arrow
Override hall lantern arrow (static, scrolling or flashing)
Out of service symbol
Vertical scrolling (floor changes or running arrows and hall lanterns)
Horizontal scrolling messages
Choice of LED colour: Red, Green or Amber

Switch Selectable Features

Vertical scrolling running arrow or floor change
Hall lantern floor designation
Landing or car indicator function
Electronic chime volume

Electrical Detail

Continuous power supply: 12vdc to 37vdc or 12vac to 24vac
Power consumption: 230mA @ 12vdc

General

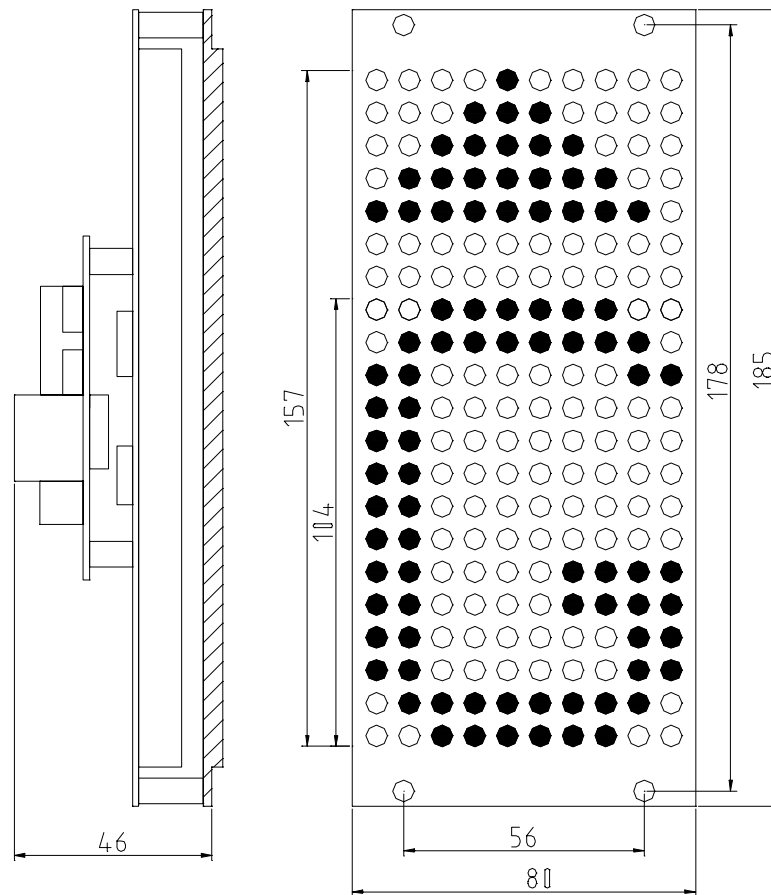
Unit supplied loose with a drilled & rebated Pacton lens (4.5mm thick, dark grey tinted) & fixing spacers.

Optional Items

Electronic chime
Stainless steel faceplate & mild steel backbox

THIS PRODUCT CONNECTS TO OUR 4-WIRE NETWORK; THEREFORE, A CONTROL UNIT OR MULTI-FUNCTION SPEECH UNIT MUST BE ORDERED FOR EACH LIFT.

MFDU100-1V



Faceplate Cut-Out: 167(h) x 76(w) mm

Fixings: 4x M3x30mm Studs

Description Single colour dot matrix display: 21 rows, 10 columns, 167mm high, 76mm wide, 5mm dots.

LED Colour Standard: Red or Green
Optional: Bright Amber

Standard Floor Library 0 to 9, A to Z

Standard Features Simultaneous single character position and running arrow
Override hall lantern arrow
Out of service symbol
Vertical scrolling messages
Vertical scrolling (floor changes or running arrow and hall lantern arrows)

Switch Selectable Features Vertical scrolling running arrow or floor change
Hall lantern floor designations
Landing or car indicator function
Electronic chime volume

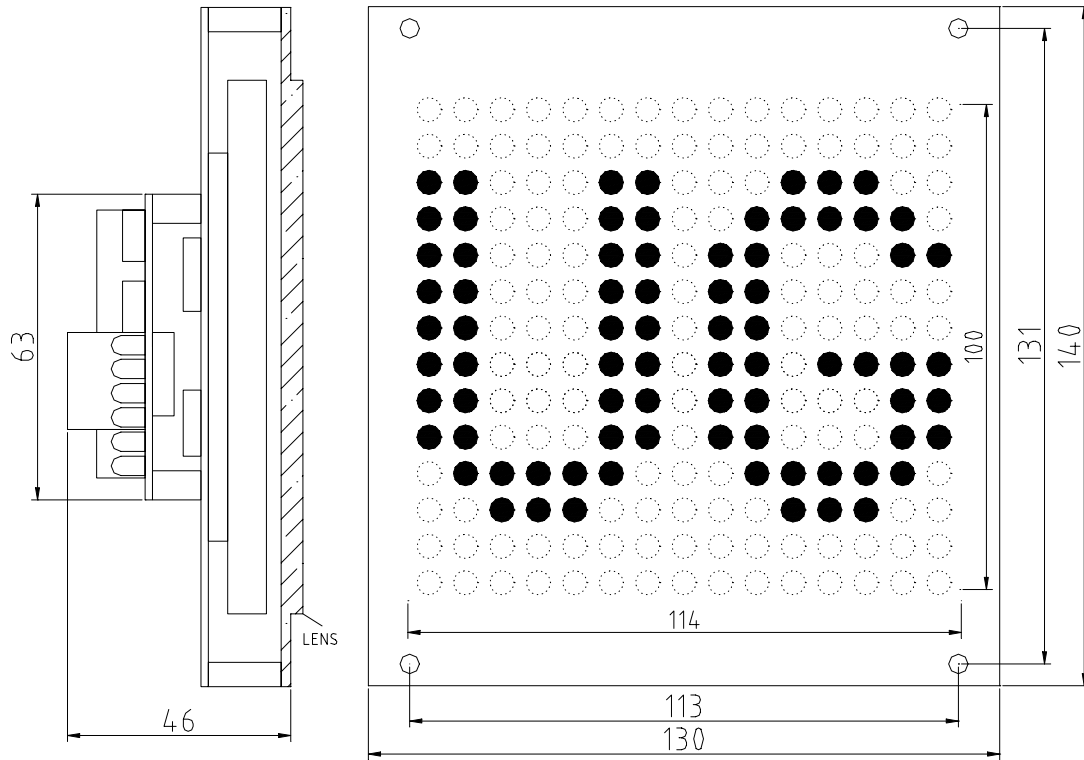
Electrical Detail Continuous power supply: 12vdc to 37vdc or 12vac to 24vac
Power supply consumption: 230mA @12vdc

General Unit supplied loose with a drilled & rebated Pacton lens (4.5mm thick, dark grey tinted) & fixing spacers

Optional Items Electronic chime
Stainless steel faceplate & mild steel backbox

THIS UNIT CONNECTS ONTO OUR 4-WIRE NETWORK; THEREFORE, A CONTROL UNIT MUST BE ORDERED FOR EACH LIFT

MFDU50-6



Faceplate Cut-Out: 110(h) x 124(w) mm

Fixings: 4x M3x25mm Studs

Description Single colour LED dot matrix display:14 rows, 15 columns, 100mm high, 114mm wide, 5mm dots

LED Colour Standard: Red or Green
Optional: Bright Amber, Blue or White

Standard Floor Library 0 to 31, A to Z, -1 to -8, B1 to B8
LB, UB, SB, LG, UG, LM, UM, MZ, SL, CP, GR, 04, 03, 02, 01

Standard Features Double character position – standard: 76mm high font
Override hall lantern arrow – 100mm high
Out of service symbol
Horizontal scrolling messages – 50mm high font
Vertical scrolling floor changes
Static or flashing hall arrows

Switch Selectable Features Vertical scrolling running arrow inserted between floor changes
Hall lantern floor designations
Landing or car indicator function
Electronic chime volume

Electrical Detail Continuous power supply: 12vdc to 37vdc or 12vac to 24vac
Power supply consumption: 350mA @12vdc

General Unit supplied loose with a drilled & rebated Pacton lens (4.5mm thick, dark grey tinted) & fixing spacers

Optional Items Electronic chime
Stainless steel faceplate & mild steel backbox
3-D lens and side-arrow option – LENS506b (see data sheet)

THIS UNIT CONNECTS ONTO OUR 4-WIRE NETWORK; THEREFORE, A CONTROL UNIT MUST BE ORDERED FOR EACH LIFT