



# TYPE EXAMINATION CERTIFICATE

According to Lifts Regulations 2016, Schedule 11, Section A

**Certificate No.:** UK-B 149

**Approved Body:** TUV SUD BABT UNLIMITED  
 Octagon House  
 Concorde Way, Segensworth North  
 Fareham, Hampshire, PO15 5RL, UK  
 Identification No. 0168

**Certificate Holder:** ACLA-WERKE GMBH  
 Frankfurter Str. 142-190  
 51065 Köln - Germany

**Manufacturer of the Test Sample:** ACLA-WERKE GMBH  
 Frankfurter Str. 142-190  
 51065 Köln - Germany  
(Manufacturer of Serial Production - see Enclosure)

**Product:** Energy accumulation buffer with nonlinear characteristics

**Type:** 300401L

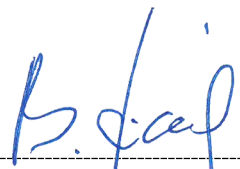
**Regulation:** Lifts Regulations 2016

**Reference Standards:** EN 81-20:2020  
 EN 81-50:2020

**Test report:** UK-B 137-153 dated 2022-01-24

**Outcome:** The product conforms to the essential health and safety requirements of the mentioned Regulation if the requirements of the annex to this type examination certificate are kept.

**Date of Issue:** 2022-02-21

  
 Bernd Gründling

TUV SUD BABT UNLIMITED



## 1 Scope of application

- 1.1 Permissible total mass of car and rated load or counterweight by using one buffer depending on the maximum rated speeds:

Rated speed [m/s]	Min. total mass [kg]	Max. total mass [kg]
1.00	350	1200
0.63	240	3500

(If several buffers are used, the permissible total mass can be multiplied accordingly.)

- 1.2 Further technical data / information

Maximum impact speed	1.15 m/s
Dimension	Ø 100 mm x 80 mm
Material	AUTAN® HE
Connecting elements / fixing elements / marking	see clause 2.2

- 1.3 Environmental conditions

Temperature	-15 °C to +60 °C
Humidity	max. 98 % at room temperature, non-condensing
Pollution	no exposure to acids, bases, solvents

## 2 Conditions

- 2.1 By using more than one buffer these safety devices must be identical in design, execution and installation position.
- 2.2 The manufacturer's operating instructions must be observed in particular with regard to inspection, replacement criteria and fixing.
- 2.3 The approval drawing No. Z30002 including stamp from 2022-01-24 shall be included to the type examination for the identification and information of the general design and operation and distinctness of the approved type.
- 2.4 The type examination certificate may only be used in combination with the corresponding annex and enclosure (List of authorized manufacturers of the serial production). The enclosure will be updated immediately after any change by the certification holder.

**Annex to the Type Examination Certificate  
No. UK-B 149 of 2022-02-21**



**3 Remarks**

3.1 The testing of other requirements of the standard, wear-related reduction of the buffer forces, as well as permanent influence of the ambient conditions are not part of this type examination.

3.2 This type examination certificate has been issued on basis of the following standards:

- EN 81-20:2014 (D), clause 5.8.1.7
- EN 81-20:2020 (D), clause 5.8.1.7
- EN 81-50:2014 (D), clause 5.5
- EN 81-50:2020 (D), clause 5.5

A revision of this type examination certificate is inevitable in case of changes or additions of the above-mentioned standards or changes of state of the art.

**Enclosure to the Type Examination Certificate  
No. UK-B 149 of 2022-02-21**



**Authorised Manufacturer of Serial Production – Production Sites (valid from: 2021-12-21):**

**Company**            ACLA-WERKE GMBH  
**Address**            Frankfurter Str. 142-190  
                             51065 Köln - Germany

- END OF DOCUMENT -

Kopien dieser Zeichnung, in Papier-, elektronischer oder anderer Form, unterliegen nicht dem Änderungsdienst

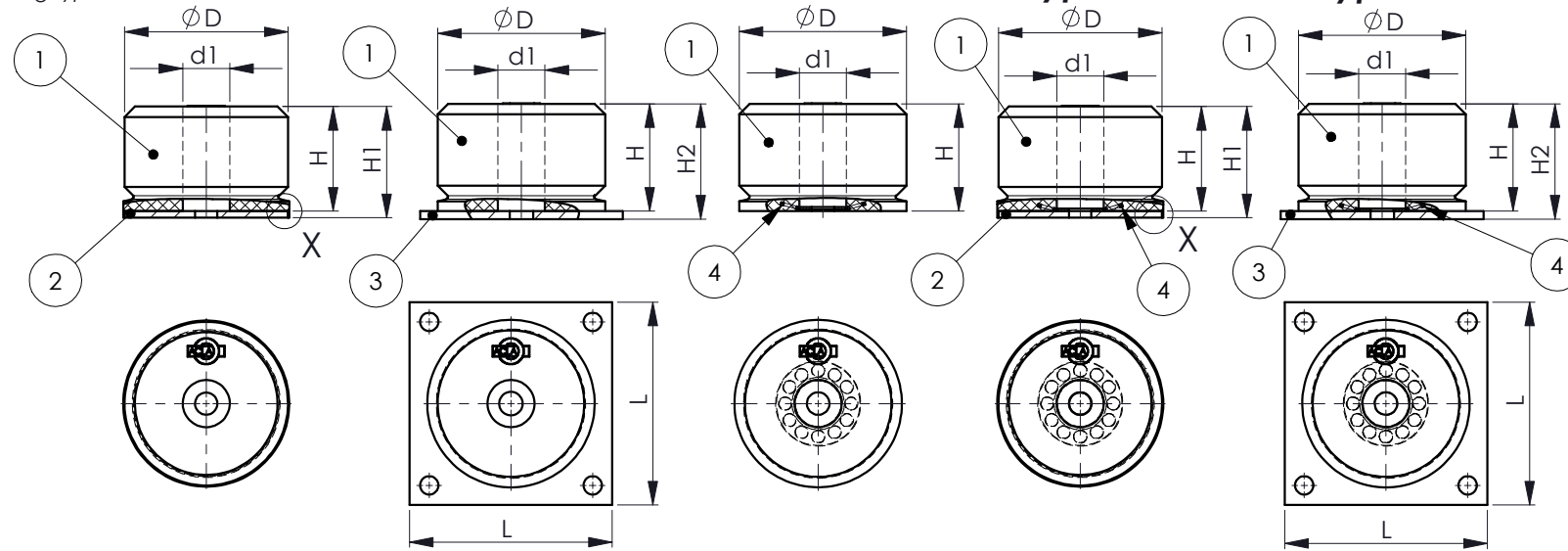
**Puffertyp:** 300401L1  
**Buffer model:**  
**Befestigung:** Typ A  
**Mounting types:**

**300401L3**  
**Typ C**

**300401L4**  
**Typ D**

**300401L5**  
**Typ AD**

**300401L6**  
**Typ CD**



**DETAIL X**  
**Fertigungsart**  
 production type



**Plattenkante**  
 Plate edge  
 umschäumt  
 Angabe "V1"  
 foams around  
 specification "V1"  
 sichtbar  
 keine Angabe  
 visible  
 not specified

**Kennzeichnungen auf dem Puffer:**

Die Kennzeichnungen können auf dem ganzen Umfang des Puffers angeordnet sein.  
 Die Kennzeichnung besteht aus den Kennzeichnungsfeldern.  
 (XXX Platzhalter ohne genaue Anzahl der Zeichen)  
 Zusätzlich zu den beschriebenen können weitere Kennzeichnungen angebracht sein,  
 zum Beispiel weitere Konformitätskennzeichnungen oder 2D-Codes.

**Markings on the buffer:**

The markings can be placed on the entire circumference of the buffer.  
 The marking consists of the marking fields.  
 (XXX placeholder without exact number of characters).  
 In addition to those described, further markings may be added,  
 for example further conformity markings or 2D codes



**Abmessungen in mm**  
**Dimensions in mm**

øD	100
ød1	36
H	80
H1	85
H2	86
L	130

24.01.2022

**GEPRÜFT / APPROVED**  
**TÜV SÜD Industrie Service GmbH**  
 Prüfstelle Fördertechnik / Test Laboratory LCC  
 Westendstr. 199, 80686 München – Germany  
 Sachverständiger (m/w/d) / Expert

Puffertyp ----- 300XXXXX ----- Buffer model  
 Datum ----- DD.MM.YYYY ----- Date  
 Uhrzeit / Fertigungsart -- hh:mm:ss / V1 -- Time / Model of manufacturing  
 Hersteller ----- ACLA ----- Manufacturer  
 Anschrift ----- DE 51065 KOELN ----- Address

**UK-Baumusterprüfung:**

UKCA-Konformitätskennzeichen  
 Nr. der zugelassene Stelle  
 für die Qualitätssicherung  
 Zertifikatsnummer

**UK type-examination:**

UKCA conformity mark  
 No. of the approved body  
 for quality assurance  
 Certificate number

UK  
 CA XXXX / UK-B XXX

1	Lochblech / perforated sheet	4		St.
1	Platte / plate	3		St.
1	Scheibe / disc	2		St.
1	Puffer / Buffer	1		AUTAN HE
		Teil		Werkstoff

Index	Teil	Änderungs-Mitteilung	Datum	Name

2021	Tag	Name	300401L	<b>ACLA-WERKE GMBH</b> Frankfurter Str.142-190 51065 Köln
Gez.	16.12.	Kremin		
Gepr.	Überprüft von Schmalz, Michael, 09-19, 22-12-2021			
Norm				CAD - Zeichnung 2020  <b>Z30002</b>
Maßstab	-:-			
Maße ohne Toleranzangabe nach:	Identifikations-Zeichnung Identification drawing			Entstanden aus: Ersetzt durch:

Urheberschutz nach DIN 34: "Für diese Zeichnung behalten wir uns alle Rechte vor."