

Cable Trunking / Pre Galvanised / Accessories / Tee External Cover / Page 1 of 3



British Standard:

BS EN 50085-1:2005

BS EN 50085-2-1:2006

VDE Testing and Certification Institute

Test Certificate No. 40040200*

Material Specification:

British Standard: BS EN 10346:2015.

Finish:

Pre Galvanised

Ordering Information:

- Please refer to the following pages or alternatively visit our website below:

<http://www.trenchltd.com>

Product Information: Standard

- All accessories are screwfix
- Combi head screws to suit crosshead or flathead screwdriver
- Connector screws are serrated on the underside of the head to improve earth continuity
- Connector plates are fitted with captive nuts
- Gusseted as standard

Product Information: Tamperproof

- Screws M5x8 T25 Resistorx
- Connector plates are fitted with captive nuts
- Gusseted as standard

Packing Detail:

- 1 x accessory c/w fitted lid
- 6 x connector plates
- All necessary connector screws

Other Options Available:

- Non Gusset
- Powder Coated
- IP4X
- Alternative Width/Height/Material Thickness

* See Technical Data Sheet / Cable Trunking / Pre Galvanised / Lengths / Test Results for Test Data

Cable Trunking / Pre Galvanised / Accessories / Tee External Cover / Ordering Information / Page 2 of 3

Standard Equal Compartment

Use the codes in the table on page 3 suffixed with **-2EC** for 2 equal compartment or **-3EC** for 3 equal compartment. For example if you require a 2 equal compartment tee external cover to suit trunking 100mm wide x 50mm high the correct code would be **SA42TEX-2EC** and for 3 equal compartment the code would be **SA42TEX-3EC**.

Standard Unequal Compartment

Use the codes in the table on page 3 suffixed with **-2UEC-xx/xx** for 2 unequal compartment or **-3UEC-xx/xx/xx** for 3 unequal compartment. For example if you require a tee external cover to suit trunking 100mm wide x 50mm high with 2 unequal compartments split 75mm/25mm the correct code would be **SA42TEX-2UEC-75/25** and for 3 unequal compartments split 25mm/50mm/25mm the code would be **SA42TEX-3UEC-25/50/25**.

Please note we require a minimum of 25mm width per compartment.

Tamperproof Accessories

Use the ordering information in the table on page 3 alongside the ordering information above and suffix the code with **-SEC**. For example if you require a 2 equal compartment tee external cover to suit 100mm wide x 50mm high tamperproof trunking the correct code would be **SA42TEX-2EC-SEC** and for 3 equal compartment the code would be **SA42TEX-3EC-SEC**.

Non Gusset Accessories

Use the ordering information in the table on page 3 alongside the ordering information above and suffix the code with **-NG**. For example if you require a 2 equal compartment tee external cover to suit 100mm wide x 50mm high tamperproof trunking the correct code would be **SA42TEX-2EC-SEC-NG** and for 3 equal compartment the code would be **SA42TEX-3EC-SEC-NG**.

Powder Coated

Please ensure that when requesting a quotation for powder coated products that you have the correct quantities, RAL number and finish (i.e. matt or gloss) in order for us to quote accordingly.

Please note product codes for powder coated items are Non-Standard, however, dimensions & weights on page 3 are still applicable.

IP4X

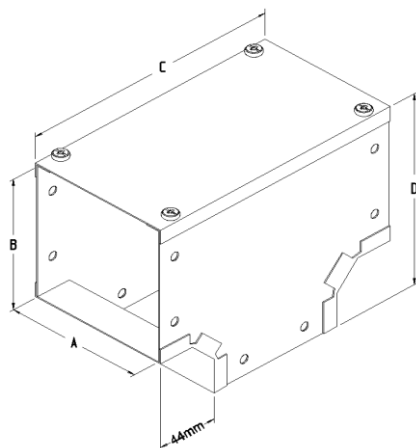
To achieve IP4X add to each join 1 x Outer U Piece & 1 x Lid Fix Bar - please follow the link below for ordering instructions.

<http://www.trenchltd.com/cable-trunking/ip4x-accessories/>

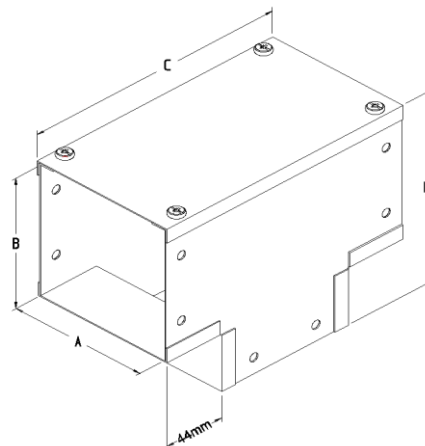
Product Code Standard	Dim A (mm) To Suit Width	Dim B (mm) To Suit Height	Dim C (mm)	Dim D (mm)	Single Comp Weight (kg)	Twin Comp Weight (kg)	Three Comp Weight (kg)
SA22TEX	50	50	140	97	0.42	0.49	X
SA32TEX	75	50	140	97	0.48	0.54	0.61
SA42TEX	100	50	140	97	0.53	0.60	0.67
SA62TEX	150	50	140	97	0.63	0.70	0.77
SA82TEX	200	50	140	97	0.86	0.93	1.00
SA92TEX	225	50	140	97	0.93	1.00	1.06
SA122TEX	300	50	140	97	1.13	1.19	1.26
SA33TEX	75	75	165	122	0.65	0.76	0.87
SA43TEX	100	75	165	122	0.70	0.82	0.93
SA63TEX	150	75	165	122	0.81	0.93	1.04
SA83TEX	200	75	165	122	1.06	1.18	1.29
SA93TEX	225	75	165	122	1.14	1.25	1.36
SA123TEX	300	75	165	122	1.35	1.46	1.58
SA44TEX	100	100	190	147	0.91	1.08	1.25
SA64TEX	150	100	190	147	1.03	1.20	1.37
SA84TEX	200	100	190	147	1.30	1.47	1.64
SA94TEX	225	100	190	147	1.38	1.55	1.72
SA124TEX	300	100	190	147	1.61	1.78	1.95
SA66TEX	150	150	240	197	1.48	1.78	2.09
SA86TEX	200	150	240	197	1.79	2.09	2.40
SA96TEX	225	150	240	197	1.88	2.18	2.49
SA126TEX	300	150	240	197	2.14	2.45	2.75
SA88TEX	200	200	290	248	2.64	3.12	3.59
SA99TEX	225	225	315	273	3.10	3.67	4.25
SA129TEX	300	225	315	273	3.41	3.99	4.57
SA1212TEX	300	300	390	348	4.90	5.83	6.75

All dimensions are identical for single & compartmented accessories. Approximate weights shown are a nominal value due to material thickness and tolerance and includes body, lid, fixings and separator (s) where applicable. See Page 2 for Equal/Unequal/Tamperproof/IP4X/Non Gusset & Powder Coating Information.

X Denotes not available



Standard



Non Gusset