

# INSTALLATION & OPERATING MANUAL

# SPEEDFLEX



**LED SHAFT LIGHTING SYSTEM – EN81-20  
INNOVATION NOT IMITATION!**

## SPEEDFLEX LED SHAFT LIGHTING

**PLEASE READ THESE INSTRUCTIONS BEFORE COMMENCING INSTALLATION  
AND RETAIN THEM FOR FUTURE REFERENCE**

### **Safety Warning**

These warnings are provided in the interest of safety. You must read them carefully before or using this equipment

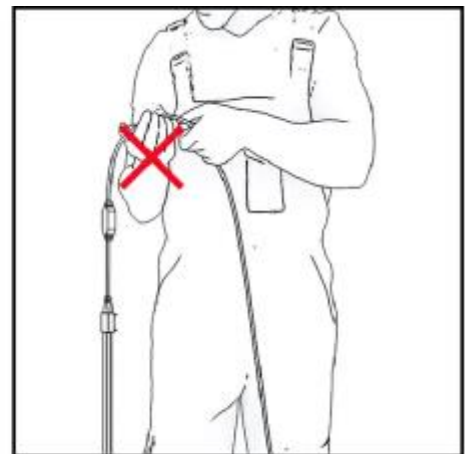
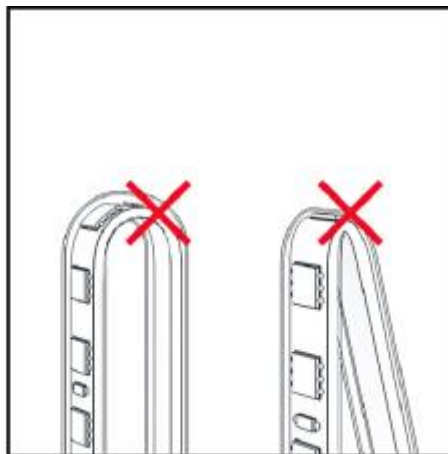
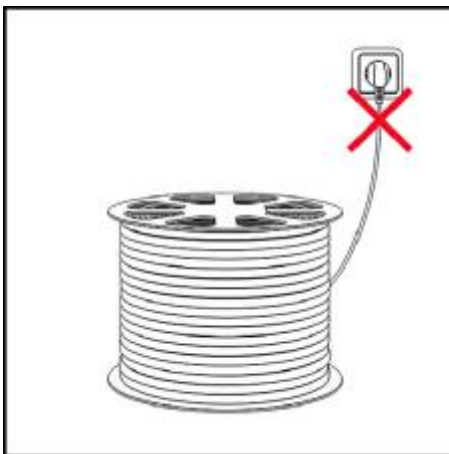
- All installation and servicing must be done by a qualified electrician or other competent person.
- It is dangerous to alter specification or modify the product in any way.
- Ensure that these instructions are passed on to the end user.
- The SPEEDFLEX and switches are designed for dry conditions and must not be exposed to rain or moisture.
- This product is suitable for mounting on surface with normal flammability (e.g., wood and plasterboard). Do not mount on highly flammable surface (e.g., Polystyrene tiles).
- Do not attach to any surface which is freshly painted, damp, or otherwise electrically conductive
- Do not power on the SpeedFlex when coiled.
- Do not sharply bend the LED flex
- Do not drop the LED flex down the lift shaft when holding only the cable.

## WARNING INSTRUCTIONS



**DO NOT POWER ON THE SPEEDFLEX WHEN COILED.**

**DO NOT SHARPLY BEND THE LED FLEX  
DO NOT DROP THE LED FLEX DOWN THE SHAFT  
WHEN HOLDING ONLY THE CABLE**



---

## Technical Specification:

### LED Flex.

Power Supply: 230VAC 50 Hz.

Lumens: 620lm

Current: 2.5A

Light Colour 6500k

IP Rating: IP65

Power/m: 8.5W

Beam Angle: 120

Lifetime: 30,000 Hours

### Emergency Power Pack.

Power Supply: 230VAC 50 Hz.

Emergency Power: 35 to 50W

Battery Type: 14.8V Li-ion

Battery Capacity: 8Ah

Emergency Time: 180 Minutes

Recharging Time: 28 Hours

Life Cycle: 5000 Cycles

**Emergency pack must be recharged every 3 Months if not connected to a power supply.**

**Emergency pack must be changed after 3 years.**

### Kinetic System.

Power Supply: 230VAC 50 Hz.

Power: 300W LED (800W Resistive load)

Radio Frequency: RF 433MHz

WIFI: 2.4G

Signal: 80 Metre

Switch IP rating: IP42

Switch Operation: 100,000

### Installation Instructions:

Lower the SPEEDFLEX down the lift shaft while holding it firmly underneath the connection point with the power cable.



Drill an 8mm hole along the desired path of the SPEEDFLEX and insert the push-plug. Then secure the SPEEDFLEX to the plugs with the cable ties provided, as shown below.



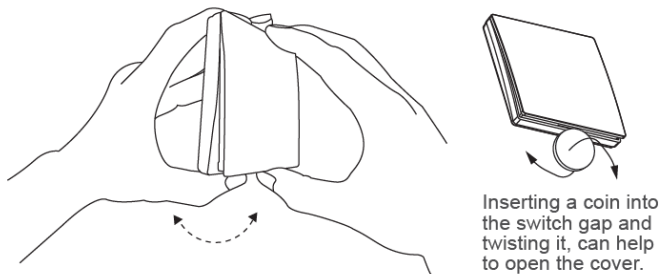
Continue with the installation of the SPEEDFLEX by repeating the above.

**NOTE:** Depending on the nature of the lift shaft walls, 2 or 3 fixings may be required for the first metre/top of the lift shaft. Thereafter, a fixing every 2 to 3 metres should suffice.

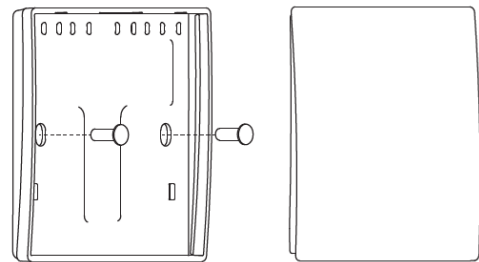
## Installation Instructions:

Install the Kinetic switches provided, as per the drawing below. Switches can be fitted directly to the lift shaft wall, Lift car top or other as required. All necessary fixings provided.

(a) Remove front cover;

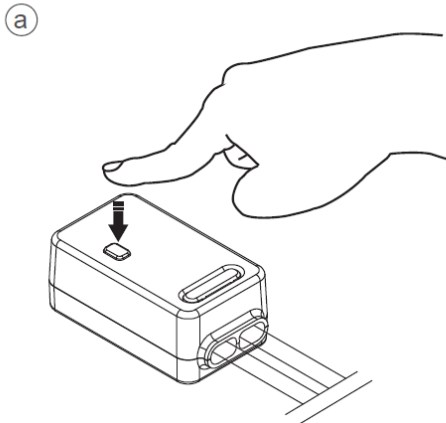


(b) Fix to back box;

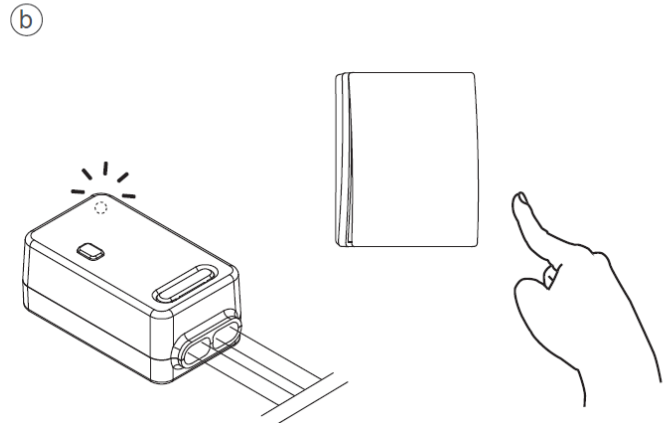


Kinetic switches come paired with the control unit as standard, only follow the following if your installing a replacement or an extra switch.

### 1. Pairing to kinetic switch - Standard method



Press the Pairing Key for 3-4s, until the RED indicator flash slowly.



While the indicator on receiver flashes, press the Kinetic switch ONCE to complete the pairing.

## Installation Instructions:



Install the control unit within the Lift Motor Room or Top of the Lift Shaft (MRL).

Connect the incoming main supply voltage: 230VAC to the power lead.

**Live = Live**

**Neutral = Neutral**

**Earth Cable = Earth**

**Please note that the Emergency Power Pack requires 28 hours to be fully charged before the system can offer 3 hours Emergency Back Up.**

### How to Test:

Switch power on and press one switch to turn the lights on.

Press other switches to turn the lights on/off.

To test the Emergency backup system, press the yellow test button on the underside of the control unit as pictured above.

## WARNING INSTRUCTIONS



**Do not press the indicator button inside the control unit as pictured below. This button is for battery charging indication only.!!!!**





## Troubleshooting:

- 1 . If the SPEEDFLEX does not light up when it is powered on.

The connection between the power cable and SPEEDFLEX may have loosened. Check the connection between the electrical cable and SPEEDFLEX or soundness. The power cable may be damaged or broken. Check its integrity.

- 2 . If a Segment in the middle of the SPEEDFLEX does not light up.

The circuit of that segment may be broken.

3. If the PVC costing of the SPEEDFLEX is stiff and difficult to bend of flex.

The environmental temperature could be too low.

4. If it emits strange odour and the PVC coating of the SPEEDFLEX has overheated and softened.

Heat can accumulate if the environmental temperature is too high. Power off and allow the SPEEDFLEX to cool down. Do not store an unused SPEEDFLEX at a high temperature.