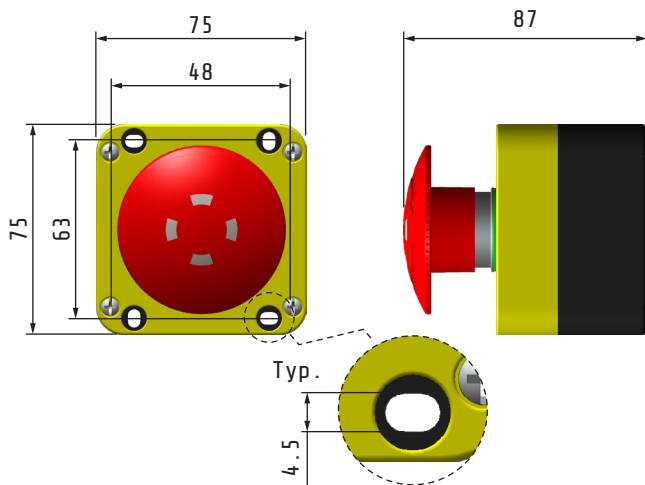


PQ01R6S/SS

**EMERGENCY DEVICE WITH D60 TURN RELEASE
MUSHROOM WITH VISION**

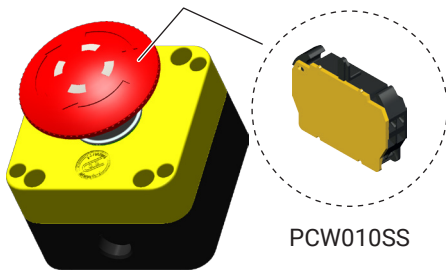


Technical data

Standards	IEC/EN 60947/3
Case	PC V0 UL94
Protection class IEC/EN 60529	IP65
Cable entry	M16 / M20

PCW010SS

Rated insulation voltage [Ui]	690 V
Rated impulse withstand voltage [Uimp]	4 kV
Power supply	AC/DC
Rated thermal current	10 A



PCW010SS

Self-monitored contact (NO-NC-NO)

