

Incremental encoders for frequency controls of the following companies:

Clamping flange/
for W+W mounting set
Art.no.

Synchronous flange
Art.no.



with 1024 pulses

7211

7212



with 1024 pulses + plug

7213

7214



with 2048 pulses + plug

7217

7218

LOHER DYNAVERT L04 with 1024 pulses

7215

7216

LOHER DYNAVERT L05 with 1024 pulses + plug

52313

-

OMRON with PG Speed control cards

with 1024 pulses

50700

50701



with 1024 pulses

7221

7222

SE-Commander with 2048 pulses + plug

50824

-

Thyssen MFC and CPI with 1024 pulses + plug

63619

-

UNIDRIVE SP with 1024 pulses + plug

50825

-

Variodyn VF20/30 with 2048 pulses

7402

7403

Lust/Wittur Typ WVD3...
suitable only for asynchronous motors



with 2048 pulses + plug

54206

-

ZIEHL-ABEGG



with 1024 pulses

7223

7224

ZIEHL-ABEGG



with 2048 pulses

63045

63044

Universal encoder with 1024 pulses 5-30V, 4 tracks*

63620

7224

Universal encoder with 2048 pulses 5V, 4 tracks*

63621

63044

*If only two tracks are needed, the connections of the other two tracks are to be isolated separately and not connected.



Incremental encoder mounting set - Toothed belt version

to control frequency converters of lift motors



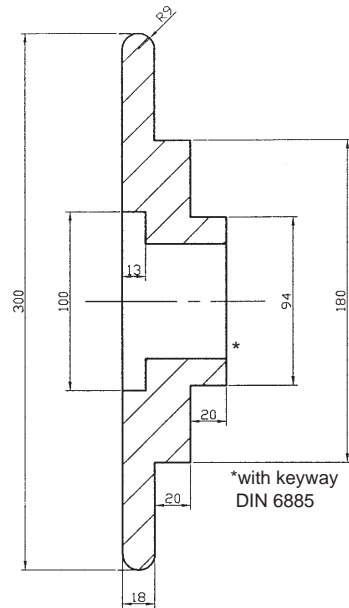
Universal incremental encoder mounting set with toothed belt and initial spring tension



Mounting set with additional protective cover according to EN 81.



Mounting kit with special handwheel (with crush protection distance)



The handwheel is constructed in a way that it provides a big enough crush protection distance to the toothed belt.

Advice

The encoder cable is delivered ready for connection to the frequency converters on the right. Included in delivery is a mounting instruction and a connection plan for the respective converter.



Wall holder for handwheels, contact monitored, suitable for W+W handwheels

Wall bracket made of steel sheet, hot-dip galvanised, monitoring switch with 1 NO/ 1 NC, incl. fixation material, 5m supply cable and mounting instruction

The handwheel is not included in delivery.







© 10/2009

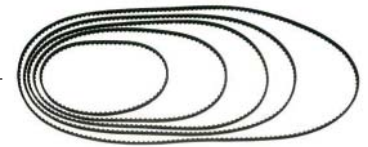
Scope of delivery



Art.no. Mounting kits with encoder for:

| | | |
|-------|--|--------------------------------------|
| 7204 |  ascentronic GERÄTEBAU - GMBH | with 1024 pulses |
| 7205 |  DIETZ electronic | with 1024 pulses + plug |
| 63039 | LOHER DYNAVERT L05 | with 1024 pulses + plug |
| 7207 |  KEB ANTRIEBSTECHNIK | with 2048 pulses + plug |
| 54208 |  kw Goliath-60 | with 1024 pulses |
| 63038 | OMRON with PG Speed control cards | with 1024 pulses |
| 7209 |  RST ELEKTRONIK GMBH | with 1024 pulses |
| 63046 | SE-Commander | with 2048 pulses + plug |
| 63617 | Thyssen MFC and CPI | with 1024 pulses + plug |
| 54224 | UNIDRIVE SP | with 1024 pulses + plug |
| 52211 | Variodyn VF20/30 | with 2048 pulses |
| 54207 | Lust/Wittur  Typ WVD3... suitable only for asynchronous motors | with 2048 pulses + plug |
| 7210 | ZIEHL-ABEGG  | with 1024 pulses |
| 63040 | ZIEHL-ABEGG  | with 2048 pulses |
| 63615 | with universal encoder | with 1024 pulses 5-30V, 4 tracks* |
| 63616 | with universal encoder | with 2048 pulses 5V, 4 tracks* |
| 7203 | | without encoder |

*If only two tracks are needed, the connections of the other two tracks are to be isolated separately and not connected.



| Art.no. | Toothed belt, endless |
|---------|-----------------------|
| 7197 | 270Z (U= 680mm) |
| 7198 | 390Z (U= 980mm) |
| 7199 | 480Z (U=1220mm) |
| 7200 | 540Z (U=1380mm) |
| 7201 | 660Z (U=1680mm) |



| Art.no. | Accessories |
|---------|--------------------------------------|
| 7202 | Protective covering for mounting kit |



with keyway
DIN 6885

| Art.no. | Toothed discs for motor shafts | | |
|---------|--|------|--------|
| 7173 | d=23mm | 7179 | d=42mm |
| 7174 | d=25mm | 7180 | d=45mm |
| 7175 | d=28mm | 7181 | d=48mm |
| 7176 | d=30mm | 7182 | d=55mm |
| 7177 | d=32mm | 7183 | d=60mm |
| 7178 | d=38mm | 7184 | d=65mm |
| 51528 | Special dimensions up to 75mm on request | | |



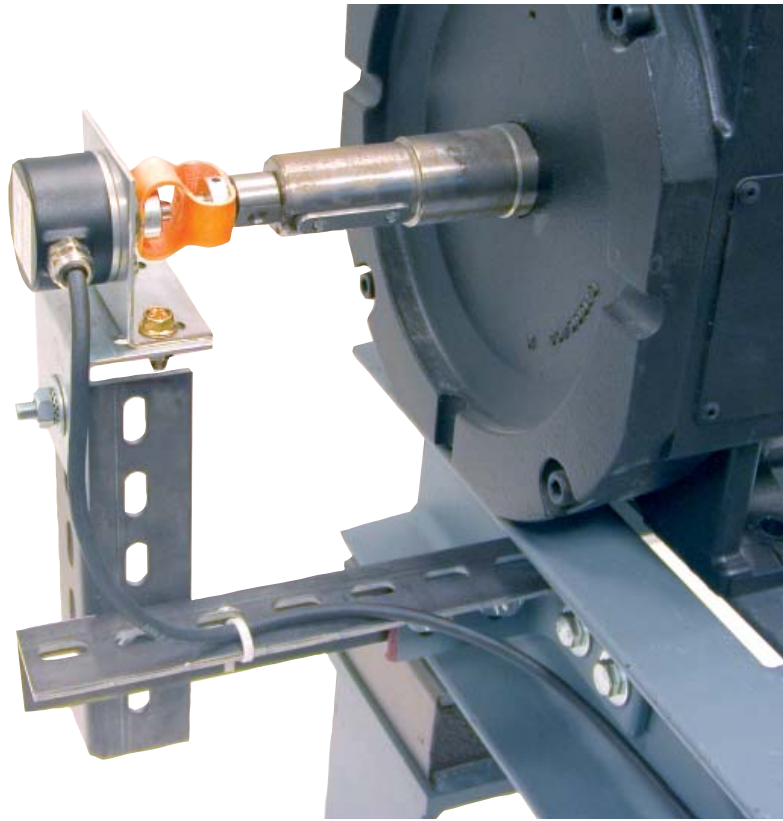
Dimensions on page 48

| Art.no. | Handwheels with crush protection distance | | |
|---------|---|------|--------|
| 7185 | d=23mm | 7191 | d=42mm |
| 7186 | d=25mm | 7192 | d=45mm |
| 7187 | d=28mm | 7193 | d=48mm |
| 7188 | d=30mm | 7194 | d=55mm |
| 7189 | d=32mm | 7195 | d=60mm |
| 7190 | d=38mm | 7196 | d=65mm |
| 51529 | Special dimensions up to 75mm on request | | |

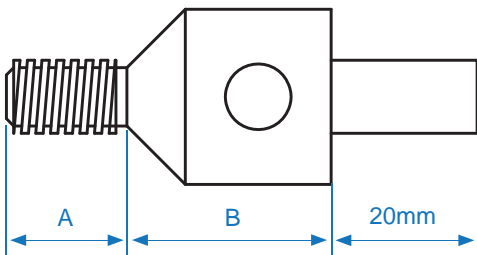
| Art.no. | Accessories |
|---------|--|
| 7329 | Holder for the handwheel Picture on page 48 |



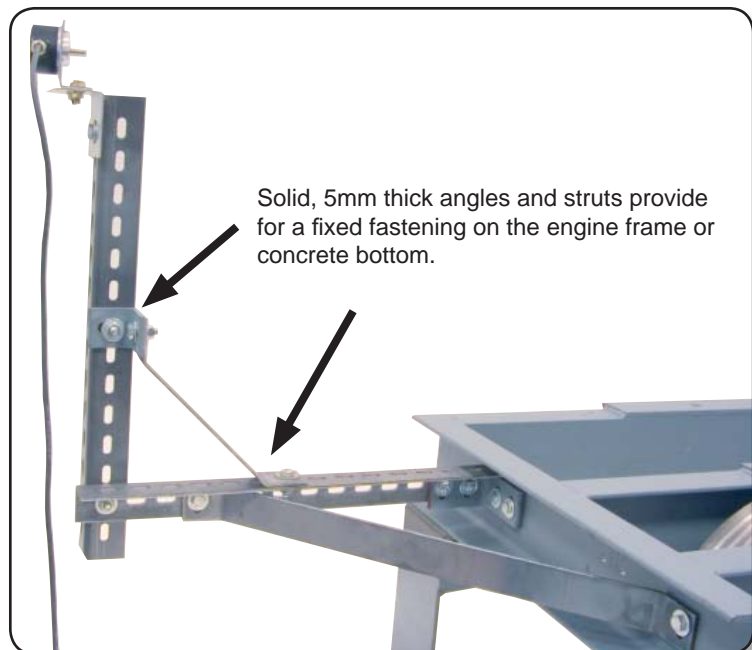
Incremental encoder mounting set Flex coupling version
to control frequency converters of lift motors



With universal encoder mounting kits for small and large lift motors



| Adaptor end piece | A (mm) | B (mm) |
|-------------------|--------|--------|
| M8 short | 11.5 | 29 |
| M8 long | 21.5 | 29 |
| M10 short | 16.5 | 28 |
| M10 long | 26.5 | 28 |
| M12 short | 17.5 | 27 |
| M12 long | 27.5 | 27 |
| M14 short | 21.5 | 31 |
| M14 long | 31.5 | 31 |
| M16 short | 19.5 | 27 |
| M16 long | 29.5 | 27 |
| M20 short | 25.5 | 37 |
| M20 long | 35.5 | 37 |



Scope of delivery



10m supply cable



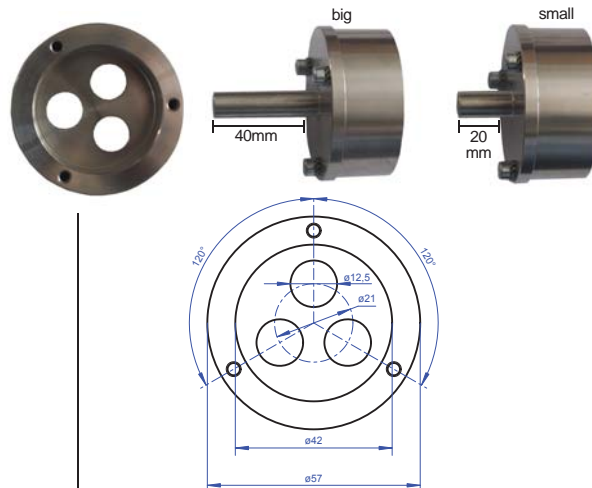
Advice

The encoder line is delivered ready for connection to the frequency converters listed below. Included in delivery is a mounting instruction and a connection plan for the respective converter.

Art.no. Mounting kits with encoder for:

| | | |
|-------|---|-----------------------------------|
| 7570 | ascenronic GERÄTEBAU - GMBH | with 1024 pulses |
| 7571 | DIETZ electronic | with 1024 pulses + plug |
| 7581 | LOHER DYNAVERT L05 | with 1024 pulses + plug |
| 7573 | KEB ANTHREBSTECHNIK | with 2048 pulses + plug |
| 54209 | kw Motoren und Antriebstechnik | Goliath-60 with 1024 pulses |
| 7580 | OMRON with PG Speed control cards | with 1024 pulses |
| 7575 | RST ELEKTRONIK GMBH | with 1024 pulses |
| 7579 | SE-Commander | with 2048 pulses + plug |
| 7585 | Thyssen MFC and CPI | with 1024 pulses + plug |
| 7586 | UNIDRIVE SP | with 1024 pulses + plug |
| 7576 | Variodyn VF20/30 | with 2048 pulses |
| 54205 | Lust/Wittur Typ WVD3... suitable only for asynchronous motors | with 2048 pulses + plug |
| 7578 | ZIEHL-ABEGG | with 1024 pulses |
| 7582 | ZIEHL-ABEGG | with 2048 pulses |
| 7583 | with universal encoder | with 1024 pulses 5-30V, 4 tracks* |
| 7584 | with universal encoder | with 2048 pulses 5V, 4 tracks* |

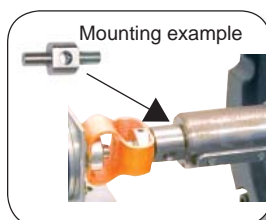
*If only two tracks are needed, the connections of the other two tracks are to be isolated separately and not connected.



Coupling pieces for a fixation with 3 screws at motors

Art.no.

| | |
|-------|---------------------------------|
| 64025 | Coupling piece for motors small |
| 64026 | Coupling piece for motors big |



Mounting example

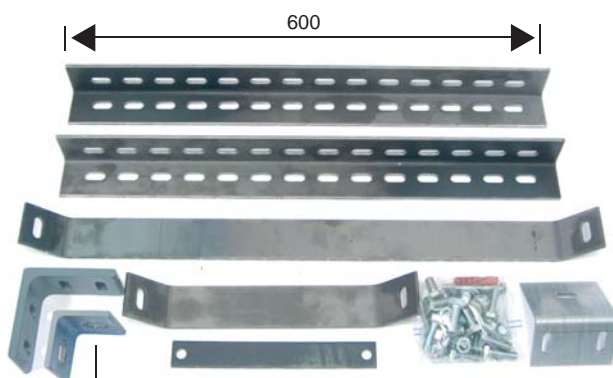


Dimensions on page 50

standard

Adaptor end piece with mounting tool

| Art.no. | Thread | Art.no. | Thread |
|---------|-----------|---------|----------|
| 52403 | M8 short | 52427 | M8 long |
| 52404 | M10 short | 52428 | M10 long |
| 52405 | M12 short | 52429 | M12 long |
| 52408 | M14 short | 52430 | M14 long |
| 52406 | M16 short | 52431 | M16 long |
| 52407 | M20 short | 52432 | M20 long |



Motor mounting kit with solid, 5mm thick angles and struts.

Art.no.

| | |
|-------|------------------------------|
| 52402 | Universal motor mounting kit |
|-------|------------------------------|

Art.no.

Individual parts

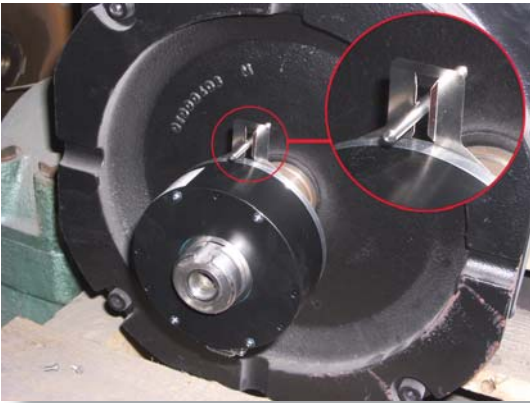
| | |
|-------|----------------------|
| 63618 | Flex coupling 10/10 |
| 63622 | Angle with screw set |



© 10/2009

Hollow shaft encoders

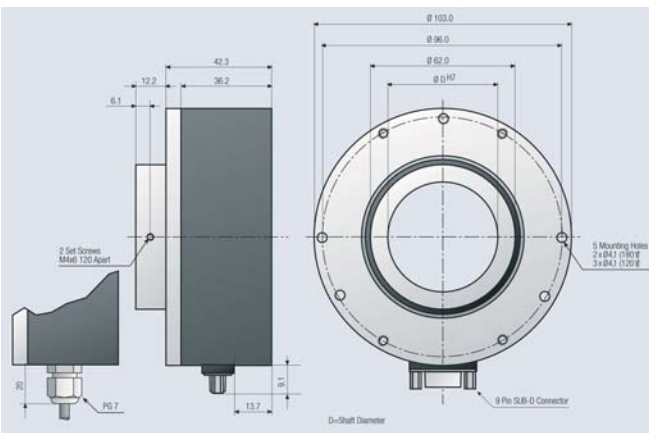
to control frequency converters of lift motors



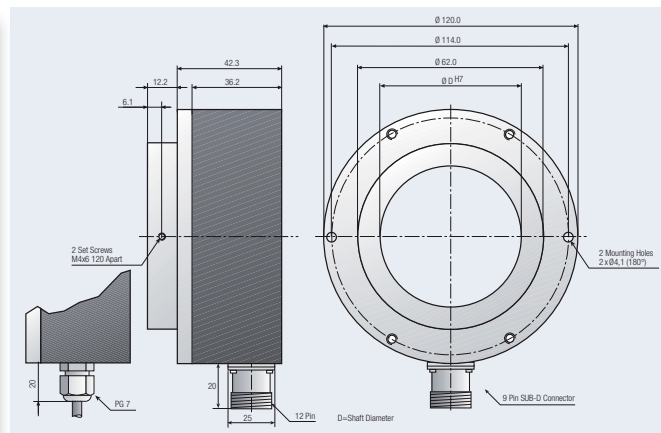
Fixation variant 1



Fixation variant 2



Dimension sheet for encoders with shaft diameter: 23, 25, 28, 30, 32, 38 and 42mm.



Dimension sheet for encoders with shaft diameter: 40, 45, 48, 55 and 65mm.



Scope of delivery

Fixation material
Encoder 4.75V-30V
10m supply cable

⚠ Advice

The encoder line is delivered ready for connection to the frequency converters on the right. Included in delivery is a mounting instruction and a connection plan for the respective converter.



© 10/2009

Hollow shaft incremental encoders to control frequency converters of asynchronous motors

Specifications of the encoder: 4.75V-30V, 4 tracks \bar{A} , \bar{B} , A, B, 10m cable

All types can be supplied ex stock!

ascronic
GERÄTEBAU - GMBH
1024 pulses

DIETZ electronic
1024 pulses+plug

kw Goliath-60
1024 pulses

LOHER DYNAVERT L05
1024 pulses+plug

| Shaft-Ø | Art.no. | Art.no. | Art.no. | Art.no. |
|---------|---------|---------|---------|---------|
| 23mm | 54000 | 54012 | 54210 | 54036 |
| 25mm | 54001 | 54013 | 54211 | 54037 |
| 28mm | 54002 | 54014 | 54212 | 54038 |
| 30mm | 54003 | 54015 | 54213 | 54039 |
| 32mm | 54004 | 54016 | 54214 | 54040 |
| 38mm | 54005 | 54017 | 54215 | 54041 |
| 40mm | 54006 | 54018 | 54216 | 54042 |
| 42mm | 54007 | 54019 | 54217 | 54043 |
| 45mm | 54008 | 54020 | 54218 | 54044 |
| 48mm | 54009 | 54021 | 54219 | 54045 |
| 55mm | 54010 | 54022 | 54220 | 54046 |
| 65mm | 54011 | 54023 | 54221 | 54047 |

KEB 2048 pulses
ELEKTRONIK GMBH

OMRON 1024 pulses
with PG Speed control cards

RST ELEKTRONIK GMBH
1024 pulses

SE-Commander
2048 pulses+plug

| | | | | |
|------|-------|-------|-------|-------|
| 23mm | 54048 | 54072 | 54084 | 54096 |
| 25mm | 54049 | 54073 | 54085 | 54097 |
| 28mm | 54050 | 54074 | 54086 | 54098 |
| 30mm | 54051 | 54075 | 54087 | 54099 |
| 32mm | 54052 | 54076 | 54088 | 54100 |
| 38mm | 54053 | 54077 | 54089 | 54101 |
| 40mm | 54054 | 54078 | 54090 | 54102 |
| 42mm | 54055 | 54079 | 54091 | 54103 |
| 45mm | 54056 | 54080 | 54092 | 54104 |
| 48mm | 54057 | 54081 | 54093 | 54105 |
| 55mm | 54058 | 54082 | 54094 | 54106 |
| 65mm | 54059 | 54083 | 54095 | 54107 |

Thyssen MFC and CPI
1024 pulses+plug

UNIDRIVE SP
1024 pulses+plug

Variodyn VF20/30
2048 pulses

Lust/Wittur WVD34-...
2048 pulses+plug suitable only for asynchronous motors

| | | | | |
|------|-------|-------|-------|-------|
| 23mm | 54108 | 54225 | 54120 | 54193 |
| 25mm | 54109 | 54226 | 54121 | 54194 |
| 28mm | 54110 | 54227 | 54122 | 54195 |
| 30mm | 54111 | 54228 | 54123 | 54196 |
| 32mm | 54112 | 54229 | 54124 | 54197 |
| 38mm | 54113 | 54230 | 54125 | 54198 |
| 40mm | 54114 | 54231 | 54126 | 54199 |
| 42mm | 54115 | 54232 | 54127 | 54200 |
| 45mm | 54116 | 54233 | 54128 | 54201 |
| 48mm | 54117 | 54234 | 54129 | 54202 |
| 55mm | 54118 | 54235 | 54130 | 54203 |
| 65mm | 54119 | 54236 | 54131 | 54204 |

ZIEHL-ABEGG 
1024 pulses

ZIEHL-ABEGG 
2048 pulses

Universal encoder
1024 pulses

Universal encoder
2048 pulses

| | | | | |
|------|-------|-------|-------|-------|
| 23mm | 54144 | 54156 | 54168 | 54180 |
| 25mm | 54145 | 54157 | 54169 | 54181 |
| 28mm | 54146 | 54158 | 54170 | 54182 |
| 30mm | 54147 | 54159 | 54171 | 54183 |
| 32mm | 54148 | 54160 | 54172 | 54184 |
| 38mm | 54149 | 54161 | 54173 | 54185 |
| 40mm | 54150 | 54162 | 54174 | 54186 |
| 42mm | 54151 | 54163 | 54175 | 54187 |
| 45mm | 54152 | 54164 | 54176 | 54188 |
| 48mm | 54153 | 54165 | 54177 | 54189 |
| 55mm | 54154 | 54166 | 54178 | 54190 |
| 65mm | 54155 | 54167 | 54179 | 54191 |



10m Extension cable

Art.no. 54192



© 10/2009