

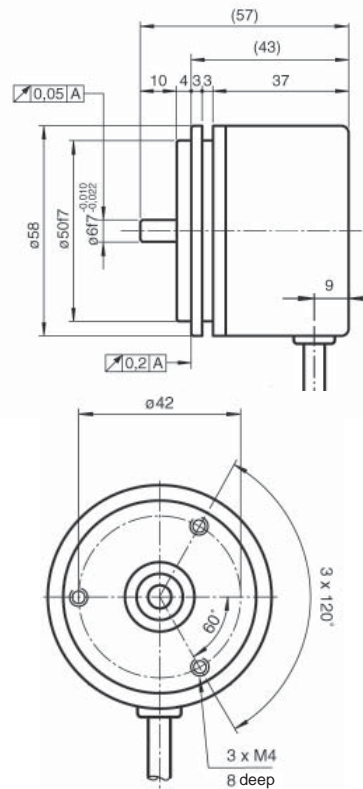
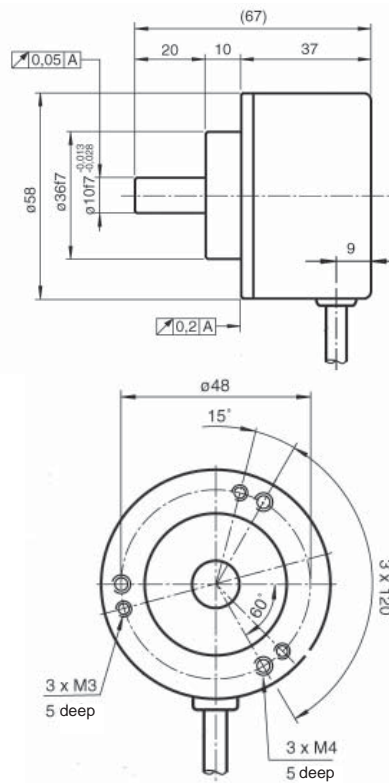
Incremental encoders to control frequency converters



All encoders are delivered with a 10m supply cable and suitable plug (if necessary)!



© 10/2009



Incremental encoders for frequency controls of the following companies:

Clamping flange/
for W+W mounting set
Art.no.

Synchronous flange
Art.no.



with 1024 pulses

7211

7212



with 1024 pulses
+ plug

7213

7214



with 2048 pulses
+ plug

7217

7218

LOHER DYNAVERT L04

with 1024 pulses

7215

7216

LOHER DYNAVERT L05

with 1024 pulses
+ plug

52313

-

OMRON

with PG Speed control cards

with 1024 pulses

50700

50701



with 1024 pulses

7221

7222

SE-Commander

with 2048 pulses
+ plug

50824

-

Thyssen MFC and CPI

with 1024 pulses
+ plug

63619

-

UNIDRIVE SP

with 1024 pulses
+ plug

50825

-

Variodyn VF20/30

with 2048 pulses

7402

7403

Lust/Wittur

Typ WVD3...
suitable only for asynchronous motors



with 2048 pulses
+ plug

54206

-

ZIEHL-ABEGG



with 1024 pulses

7223

7224

ZIEHL-ABEGG



with 2048 pulses

63045

63044

Universal encoder

with 1024 pulses
5-30V, 4 tracks*

63620

7224

Universal encoder

with 2048 pulses
5V, 4 tracks*

63621

63044

*If only two tracks are needed, the connections of the other two tracks are to be isolated separately and not connected.



Incremental encoder mounting set - Toothed belt version

to control frequency converters of lift motors



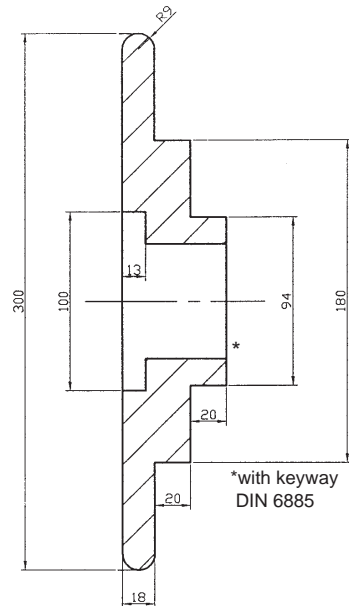
Universal incremental encoder mounting set with toothed belt and initial spring tension



Mounting set with additional protective cover according to EN 81.



Mounting kit with special handwheel (with crush protection distance)



The handwheel is constructed in a way that it provides a big enough crush protection distance to the toothed belt.

Advice

The encoder cable is delivered ready for connection to the frequency converters on the right. Included in delivery is a mounting instruction and a connection plan for the respective converter.



Wall holder for handwheels, contact monitored, suitable for W+W handwheels

Wall bracket made of steel sheet, hot-dip galvanised, monitoring switch with 1 NO/ 1 NC, incl. fixation material, 5m supply cable and mounting instruction

The handwheel is not included in delivery.




© 10/2009

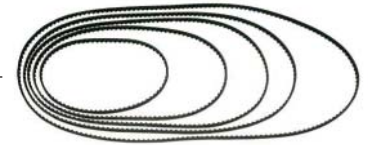
Scope of delivery



Art.no. Mounting kits with encoder for:

7204	 ascentronic GERÄTEBAU - GMBH	with 1024 pulses
7205	 DIETZ electronic	with 1024 pulses + plug
63039	LOHER DYNAVERT L05	with 1024 pulses + plug
7207	 KEB ANTRIEBSTECHNIK	with 2048 pulses + plug
54208	 kw Goliath-60	with 1024 pulses
63038	OMRON with PG Speed control cards	with 1024 pulses
7209	 RST ELEKTRONIK GMBH	with 1024 pulses
63046	SE-Commander	with 2048 pulses + plug
63617	Thyssen MFC and CPI	with 1024 pulses + plug
54224	UNIDRIVE SP	with 1024 pulses + plug
52211	Variodyn VF20/30	with 2048 pulses
54207	 Lust/Wittur Typ WVD3... suitable only for asynchronous motors	with 2048 pulses + plug
7210	 ZIEHL-ABEGG	with 1024 pulses
63040	 ZIEHL-ABEGG	with 2048 pulses
63615	with universal encoder	with 1024 pulses 5-30V, 4 tracks*
63616	with universal encoder	with 2048 pulses 5V, 4 tracks*
7203		without encoder

*If only two tracks are needed, the connections of the other two tracks are to be isolated separately and not connected.



Art.no.	Toothed belt, endless
7197	270Z (U= 680mm)
7198	390Z (U= 980mm)
7199	480Z (U=1220mm)
7200	540Z (U=1380mm)
7201	660Z (U=1680mm)



Art.no.	Accessories
7202	Protective covering for mounting kit



with keyway
DIN 6885

Art.no.	Toothed discs for motor shafts		
7173	d=23mm	7179	d=42mm
7174	d=25mm	7180	d=45mm
7175	d=28mm	7181	d=48mm
7176	d=30mm	7182	d=55mm
7177	d=32mm	7183	d=60mm
7178	d=38mm	7184	d=65mm
51528	Special dimensions up to 75mm on request		



Dimensions on page 48

Art.no.	Handwheels with crush protection distance		
7185	d=23mm	7191	d=42mm
7186	d=25mm	7192	d=45mm
7187	d=28mm	7193	d=48mm
7188	d=30mm	7194	d=55mm
7189	d=32mm	7195	d=60mm
7190	d=38mm	7196	d=65mm
51529	Special dimensions up to 75mm on request		

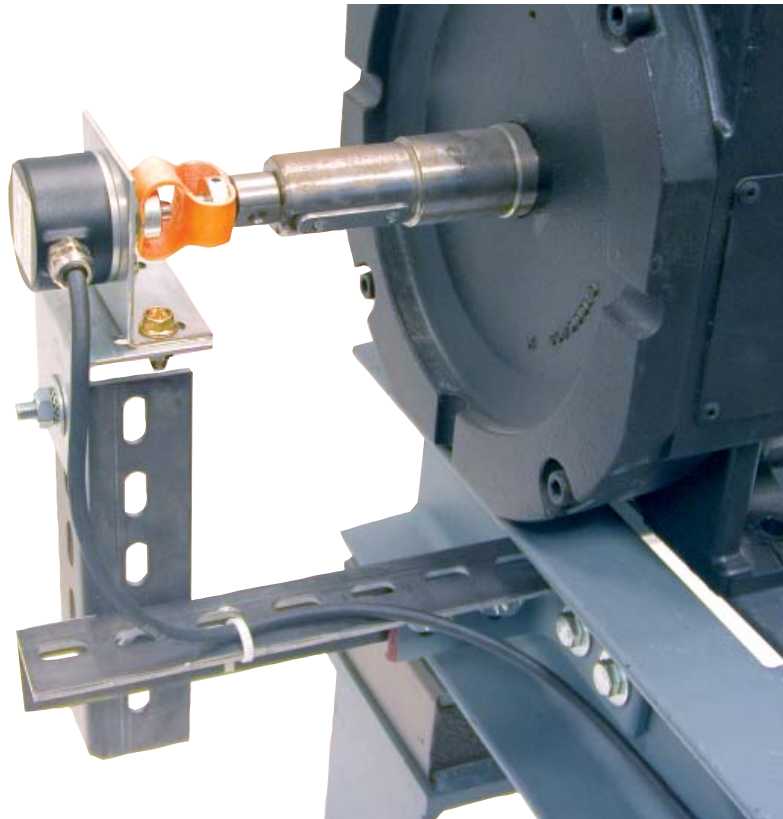
Art.no.	Accessories
7329	Holder for the handwheel

Picture on page 48

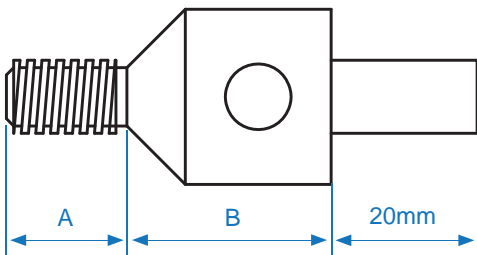


© 10/2009

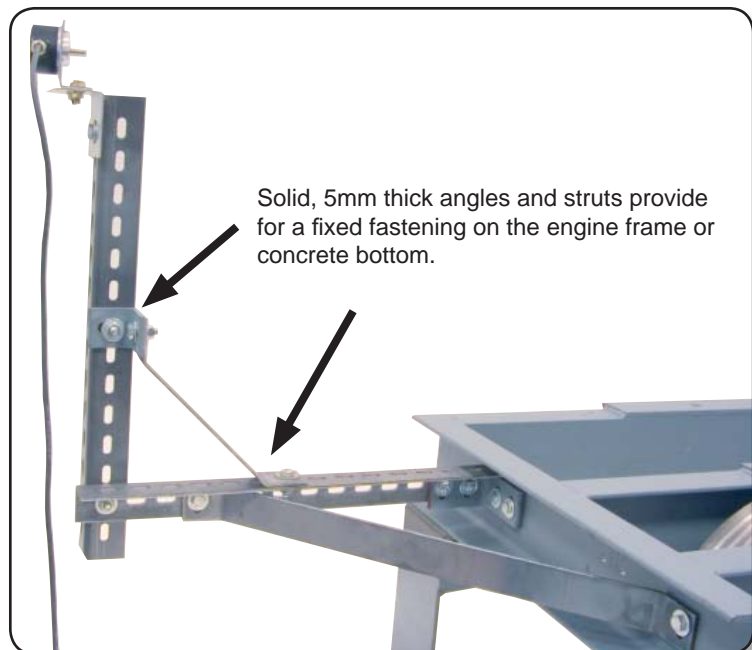
Incremental encoder mounting set Flex coupling version
to control frequency converters of lift motors



With universal encoder mounting kits for small and large lift motors



Adaptor end piece	A (mm)	B (mm)
M8 short	11.5	29
M8 long	21.5	29
M10 short	16.5	28
M10 long	26.5	28
M12 short	17.5	27
M12 long	27.5	27
M14 short	21.5	31
M14 long	31.5	31
M16 short	19.5	27
M16 long	29.5	27
M20 short	25.5	37
M20 long	35.5	37



Scope of delivery



10m supply cable



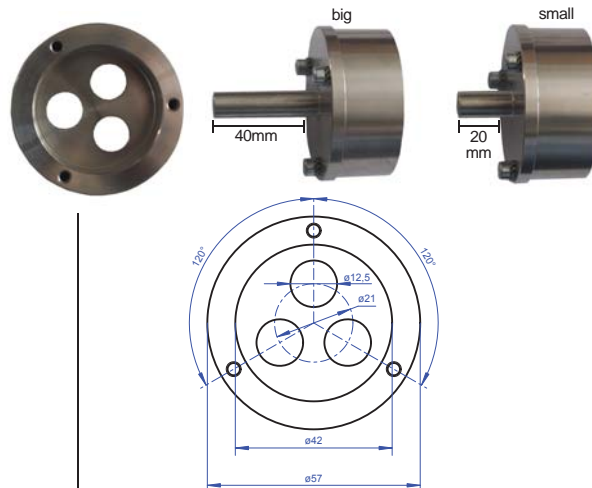
Advice

The encoder line is delivered ready for connection to the frequency converters listed below. Included in delivery is a mounting instruction and a connection plan for the respective converter.

Art.no. Mounting kits with encoder for:

7570	ASCENTRONIC GERÄTEBAU - GMBH	with 1024 pulses
7571	DIETZ electronic	with 1024 pulses + plug
7581	LOHER DYNAVERT L05	with 1024 pulses + plug
7573	KEB ANTRIEBSTECHNIK	with 2048 pulses + plug
54209	kw Goliath-60	with 1024 pulses
7580	OMRON with PG Speed control cards	with 1024 pulses
7575	RST ELEKTRONIK GMBH	with 1024 pulses
7579	SE-Commander	with 2048 pulses + plug
7585	Thyssen MFC and CPI	with 1024 pulses + plug
7586	UNIDRIVE SP	with 1024 pulses + plug
7576	Variodyn VF20/30	with 2048 pulses
54205	Lust/Wittur Typ WVD3... suitable only for asynchronous motors	with 2048 pulses + plug
7578	ZIEHL-ABEGG	with 1024 pulses
7582	ZIEHL-ABEGG	with 2048 pulses
7583	with universal encoder	with 1024 pulses 5-30V, 4 tracks*
7584	with universal encoder	with 2048 pulses 5V, 4 tracks*

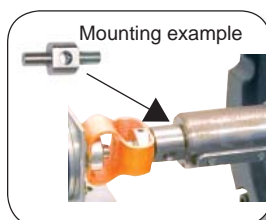
*If only two tracks are needed, the connections of the other two tracks are to be isolated separately and not connected.



Coupling pieces for a fixation with 3 screws at motors

Art.no.

64025	Coupling piece for motors small
64026	Coupling piece for motors big



Mounting example

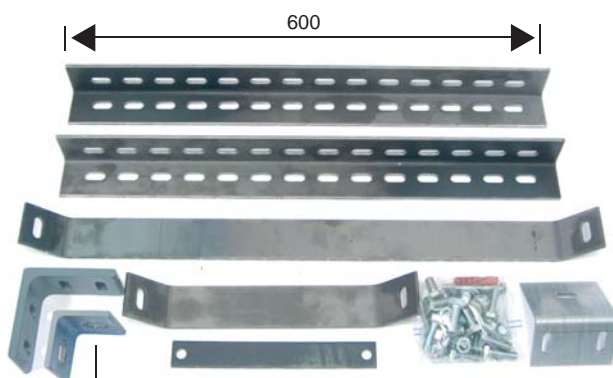


Dimensions on page 50

standard

Adaptor end piece with mounting tool

Art.no.	Thread	Art.no.	Thread
52403	M8 short	52427	M8 long
52404	M10 short	52428	M10 long
52405	M12 short	52429	M12 long
52408	M14 short	52430	M14 long
52406	M16 short	52431	M16 long
52407	M20 short	52432	M20 long



Motor mounting kit with solid, 5mm thick angles and struts.

Art.no.

52402	Universal motor mounting kit
-------	------------------------------

Art.no.

Individual parts

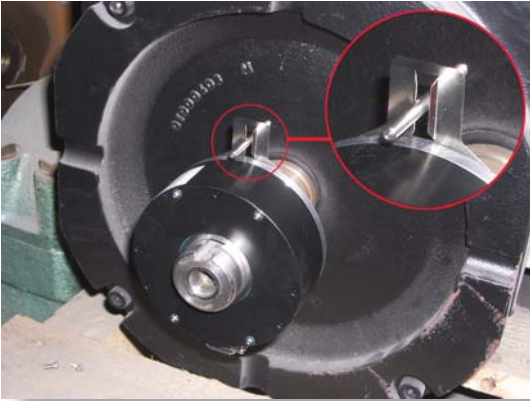
63618	Flex coupling 10/10
63622	Angle with screw set



© 10/2009

Hollow shaft encoders

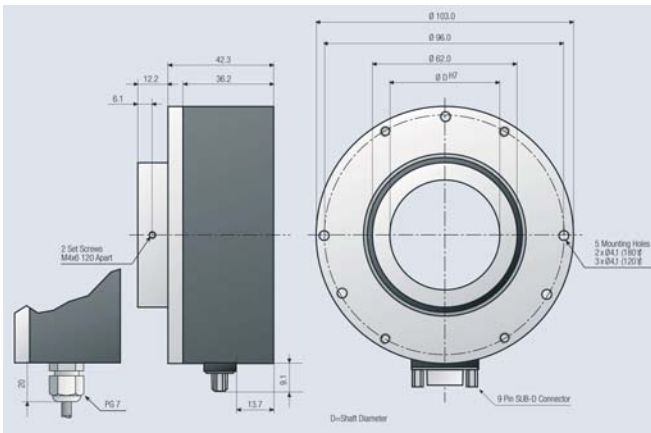
to control frequency converters of lift motors



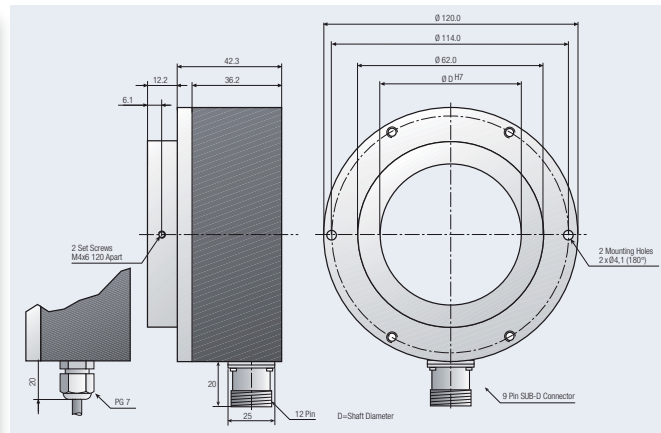
Fixation variant 1



Fixation variant 2



Dimension sheet for encoders with shaft diameter: 23, 25, 28, 30, 32, 38 and 42mm.



Dimension sheet for encoders with shaft diameter: 40, 45, 48, 55 and 65mm.



Scope of delivery

Fixation material
Encoder 4.75V-30V
10m supply cable

⚠ Advice

The encoder line is delivered ready for connection to the frequency converters on the right. Included in delivery is a mounting instruction and a connection plan for the respective converter.



© 10/2009

Hollow shaft incremental encoders to control frequency converters of asynchronous motors

Specifications of the encoder: 4.75V-30V, 4 tracks \bar{A} , \bar{B} , A, B, 10m cable

All types can be supplied ex stock!

ascronic
GERÄTEBAU - GMBH
1024 pulses

DIETZ electronic
1024 pulses+plug

kw Goliath-60
1024 pulses

LOHER DYNAVERT L05
1024 pulses+plug

Shaft-Ø	Art.no.	Art.no.	Art.no.	Art.no.
23mm	54000	54012	54210	54036
25mm	54001	54013	54211	54037
28mm	54002	54014	54212	54038
30mm	54003	54015	54213	54039
32mm	54004	54016	54214	54040
38mm	54005	54017	54215	54041
40mm	54006	54018	54216	54042
42mm	54007	54019	54217	54043
45mm	54008	54020	54218	54044
48mm	54009	54021	54219	54045
55mm	54010	54022	54220	54046
65mm	54011	54023	54221	54047

KEB 2048 pulses
ELEKTRONIK GMBH

OMRON 1024 pulses
with PG Speed control cards

RST ELEKTRONIK GMBH
1024 pulses

SE-Commander
2048 pulses+plug

23mm	54048	54072	54084	54096
25mm	54049	54073	54085	54097
28mm	54050	54074	54086	54098
30mm	54051	54075	54087	54099
32mm	54052	54076	54088	54100
38mm	54053	54077	54089	54101
40mm	54054	54078	54090	54102
42mm	54055	54079	54091	54103
45mm	54056	54080	54092	54104
48mm	54057	54081	54093	54105
55mm	54058	54082	54094	54106
65mm	54059	54083	54095	54107

Thyssen MFC and CPI
1024 pulses+plug

UNIDRIVE SP
1024 pulses+plug

Variodyn VF20/30
2048 pulses

Lust/Wittur WVD34-...
2048 pulses+plug suitable only for asynchronous motors

23mm	54108	54225	54120	54193
25mm	54109	54226	54121	54194
28mm	54110	54227	54122	54195
30mm	54111	54228	54123	54196
32mm	54112	54229	54124	54197
38mm	54113	54230	54125	54198
40mm	54114	54231	54126	54199
42mm	54115	54232	54127	54200
45mm	54116	54233	54128	54201
48mm	54117	54234	54129	54202
55mm	54118	54235	54130	54203
65mm	54119	54236	54131	54204

ZIEHL-ABEGG 
1024 pulses

ZIEHL-ABEGG 
2048 pulses

Universal encoder
1024 pulses

Universal encoder
2048 pulses

23mm	54144	54156	54168	54180
25mm	54145	54157	54169	54181
28mm	54146	54158	54170	54182
30mm	54147	54159	54171	54183
32mm	54148	54160	54172	54184
38mm	54149	54161	54173	54185
40mm	54150	54162	54174	54186
42mm	54151	54163	54175	54187
45mm	54152	54164	54176	54188
48mm	54153	54165	54177	54189
55mm	54154	54166	54178	54190
65mm	54155	54167	54179	54191



10m Extension cable

Art.no. 54192



© 10/2009