

# Mounting instruction

## Two-part telescopic car apron

### TekoS 450mm

#### Intended use:

The two-part telescopic car apron prevents the inadvertent fall of persons into the lift shaft beneath the car. If, deviating from EN81, the pit depth\* is reduced, the apron is suitable for a minimum pit depth of 550mm. (EN81-1 para. 5.7.3.3/ EN81-2 para. 5.7.2.3 Reduction of the distance to the pit floor to 100mm, if the distance to the pit wall is smaller than 150mm) If measures are taken, which equivalently replace the clearance required by EN81-1 and 2 (for example fold-out supports) the apron is suitable for pit depths up to 450mm.

The use of the apron during docking operations is not allowed.

If the previous requirements cannot be fulfilled, another equivalent protection has to be mounted.

\* pit depth= space between the top edge of the cabin door sill and the shaft floor, when the buffers are completely compressed.

#### Warning notices:



**The two-part telescopic apron is only suitable for mounting at the door sill of a lift car.**

**The assembly has to be effected by qualified persons\* only.  
When mounting all corresponding safety regulations and measures for the assembly of lifts are to be considered.**

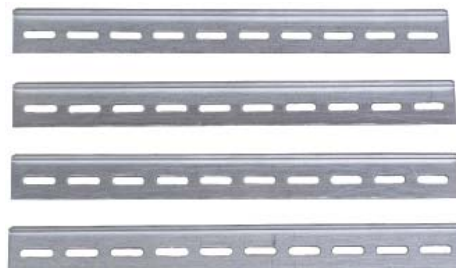
**Assembly, disassembly and maintenance can only be carried out if the lift system is switched off.**

**All indications in the assembly instruction including the service notes on page 2 are absolutely to be followed.**

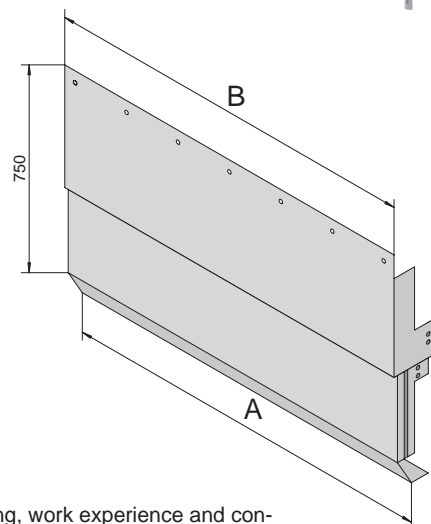
**Keep the instruction for later use!**

#### Scope of delivery:

- 1 piece telescopic apron, 1,5 mm zinc-coated sheet steel, width according to order
- 4 pieces diagonal struts 410x40x15
- 2 pieces angles 180x55 for fixing the diagonal struts to the car
- 1 set fastening material
- 1 piece warning label for the pit
- 1 piece detailed mounting instruction



art. no.	description	measure A	measure B
79950	TekoS 450mm door width 650- 700	750	780
79951	TekoS 450mm door width 750- 800	850	880
79952	TekoS 450mm door width 850- 900	950	980
79953	TekoS 450mm door width 950-1000	1050	1080
79954	TekoS 450mm door width 1050-1100	1150	1180
79955	TekoS 450mm door width 1150-1200	1250	1280
79956	TekoS 450mm door width 1250-1300	1350	1380
79957	TekoS 450mm door width 1350-1400	1450	1480
79958	TekoS 450mm door width 1450-1500	1550	1580
79959	TekoS 450mm door width 1550-1600	1650	1680
79960	TekoS 450mm door width 1650-1700	1750	1780



\*Qualified persons have technical knowledge acquired by professional training, work experience and contemporary occupational activity. (TRBS 1203)



## Mounting advice:

It is recommended to accomplish the assembly with two persons, with the cabin standing at the lowest landing.

## Mounting:

Selection of the mounting position:

The apron has to be placed below the cabin door, so that the apron measure A overlaps at least 25mm on the right and on the left side of the cabin door.

Fasten the apron to the door sill by means of the tapping screws (holes in the door sill  $d=4\text{mm}$ ). In order to avoid subsequent noises and to achieve stability, all available fixing holes must be used. When selecting the length of the tapping screws, please consider that:

- the screw has to be inserted at least 2 entire thread turns into the door sill.
- the screw must not extend into the moving area of the cabin door guides

3 lengths of tapping screws are included in delivery:  
 $l=9,5\text{mm}$   $l=13\text{mm}$  and  $l=16\text{mm}$

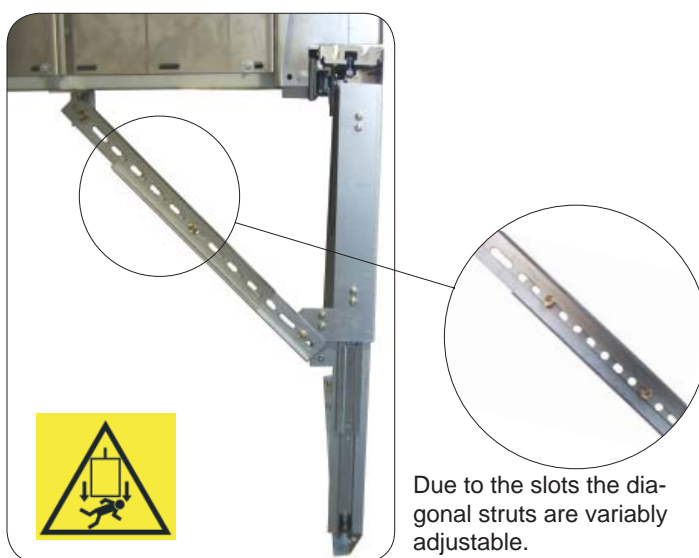
Once the apron is fastened with the tapping screws, mount the stability angles on both sides.

First of all fasten the diagonal struts to the apron with a M8 self-locking screw. Then screw the mounting angle 180x55 to the diagonal struts and mount it to the car.



Imperatively keep in mind that the diagonal struts do not bend the apron components. Otherwise the sheet plates of the apron rub against each other.

Affix the warning label „Danger of crushing!“ so that it is clearly visible below the shaft door sill in the pit.



Due to the slots the diagonal struts are variably adjustable.

## Final inspection

After the assembly all screw connections are to be examined again and retightened if necessary. The apron has to extend and retract easily. The buffers underneath the apron have to be adjusted, so that the apron hits the ground horizontally and does not get caught when retracting!

The points where the buffers touch the ground have to be marked on the pit floor.

## Service notes



The function of the apron has to be checked at regular intervals, at least every three months (if necessary grease the telescopic rails a little). In the extended state the apron has to be 750 mm long (vertical surface).

All screw connections have to be checked regularly as well, especially after the safety gear test or similar strong strains.

It is incumbent on the user to fix and take the responsibility for the appropriate maintenance interval!

The manufacturer has to be informed immediately about damages of or incidents with the car apron.

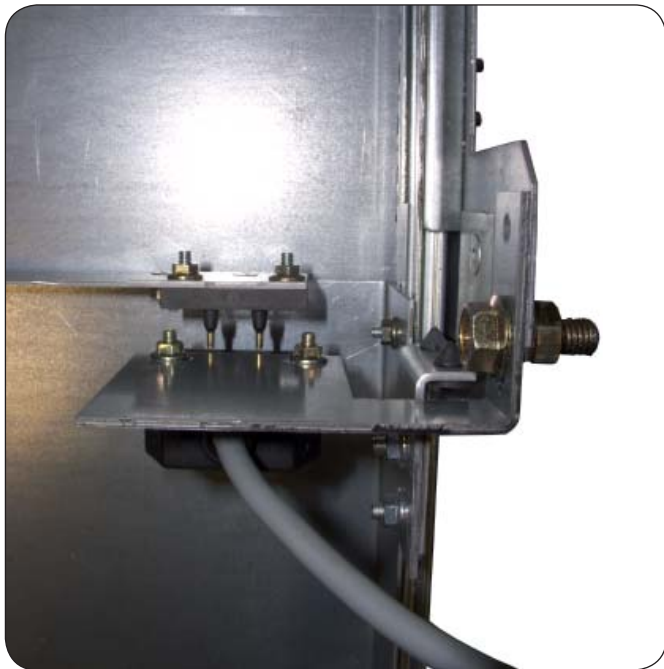
Manufacturer: W+W Aufzugkomponenten GmbH u. Co.KG Germany



**Optional:** Assembly of the monitoring switch art.No. 79970 with direct opening action;

alternativ for retrofit at mounted aprons before April 2008: art.-no. 79969

scope of delivery art.-no. 79970:



LScope of delivery Version retrofit art.no. 79969:

