

ZERTIFIKAT ◆ CERTIFICATE ◆ CERTIFICADO ◆ CERTIFICAT ◆ CERTIFICAT
認証証書 ◆



Industrie Service

EC type-examination certificate

Certificate no.: AGB 184/3

Notified body: TÜV SÜD Industrie Service GmbH
Zertifizierungsstelle für Aufzüge und Sicherheitsbauteile
Westendstraße 199, 80686 München - Germany

**Applicant/
Certificate holder:** P.F.B. s.r.l.
Via Raimondo Dalla Costa, 690
41100 Modena - Italy

Date of submission: 2006-05-09

Manufacturer: P.F.B. s.r.l.
Via Raimondo Dalla Costa, 690
41100 Modena - Italy

Product, type: Overspeed governor, type LK 300

Test Laboratory: TÜV SÜD Industrie Service GmbH
Prüfbereich Aufzüge und Sicherheitsbauteile
Westendstrasse 199, 80686 München - Germany

**Date and number
of test report:** 2006-05-19
184/3

EC-directive: 95 / 16 / EG

Statement: The safety component conforms to the directives safety requirements for the respective scope of application stated on page 1 of the Annex to this EC type-examination certificate.

Certificate date: 2006-05-19

Zertifizierungsstelle für Aufzüge und Sicherheitsbauteile
EC identification number: 0036

D. Roas
Dieter Roas



Annex of EC type-examination certificate no. AGB 184/3

1. Scope of application

- 1.1 Permissible tripping speed 0,40 - 2,73 m/s
- 1.2 Permissible rated speed < 2,37 m/s
- 1.3 Driving rope
- 1.3.1 Category Round strand rope made of steel wire
- 1.3.2 Diameter 6 - 8 mm
- 1.4 Tension forces (force produced by the tensioning weight, acting on the axle of pulley)

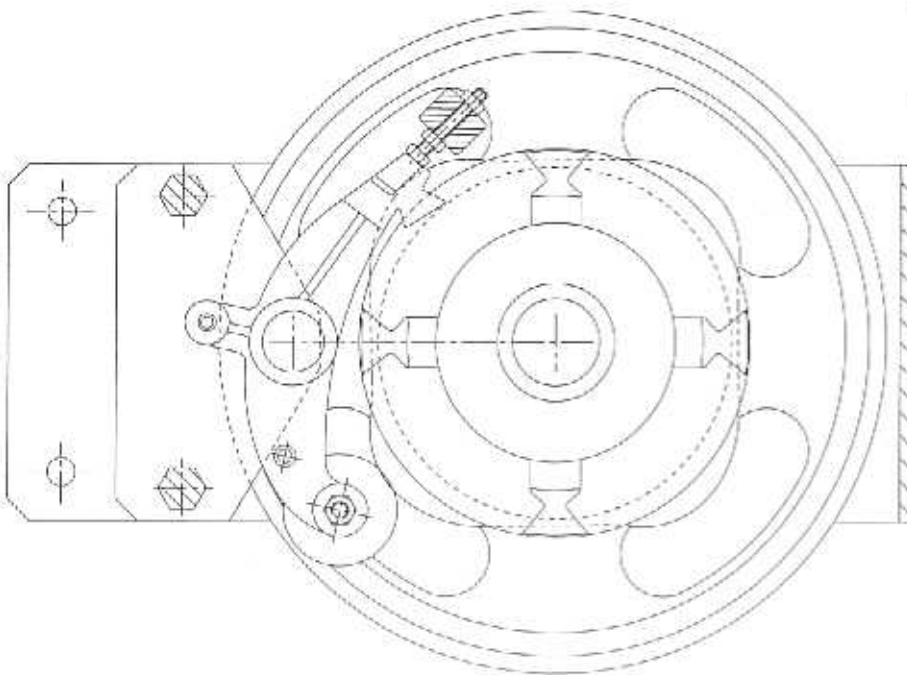
Tension force determined in the test [N] (New rope and groove)	Tensile force in	
	Down direction [N]	Up direction [N]
583	736	----
1020	1619	451

2. Conditions

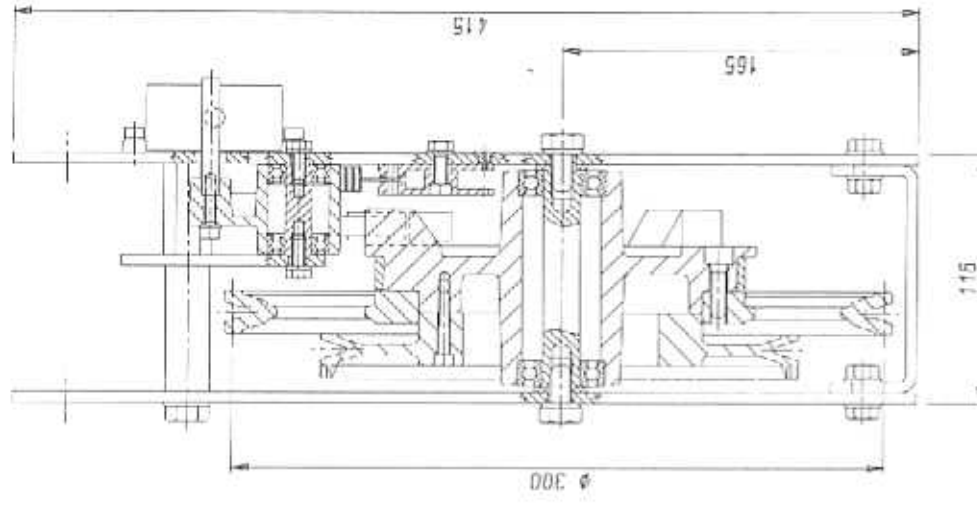
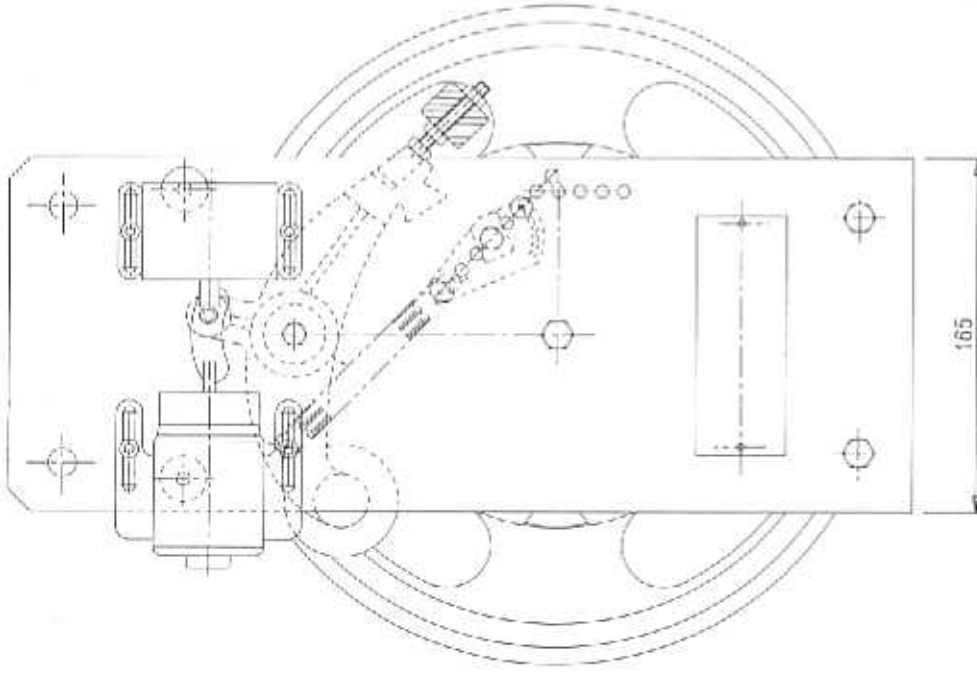
- 2.1 The adjusted tripping speed and the safety switch must be sealed against unauthorized adjustment (safety switch e.g. by colour sealing of the fastening bolts)
- 2.2 Positioning of the overspeed governor vertical with rocker above pulley.
- 2.3 Rope deflection vertical with 180° angle of wrap

3. Remarks

- 3.1 Retraction of the safety gear in both directions of rotation permissible
- 3.2 Possible equipments:
- Preliminary switch off
 - Remote tripping device
 - Remote resetting device of the safety switch
 - Impulse producer (encoder)
 - Protection device against rope leaving the pulley
 - Covering
- 3.3 In order to provide identification and information about the basic design and its functioning and to show the connection requirements pertaining to the tested and approved type, and to differentiate it from others, drawing no. LK_300 with index 3 dated October 2000 respectively LK_300/A dated December 2004 is to be enclosed with EC type-examination certificate and the annex thereto.
- 3.4 The EC type-examination certificate may only be used in connection with the pertinent annex.



Sez. A-A



- GEPRÜFT -

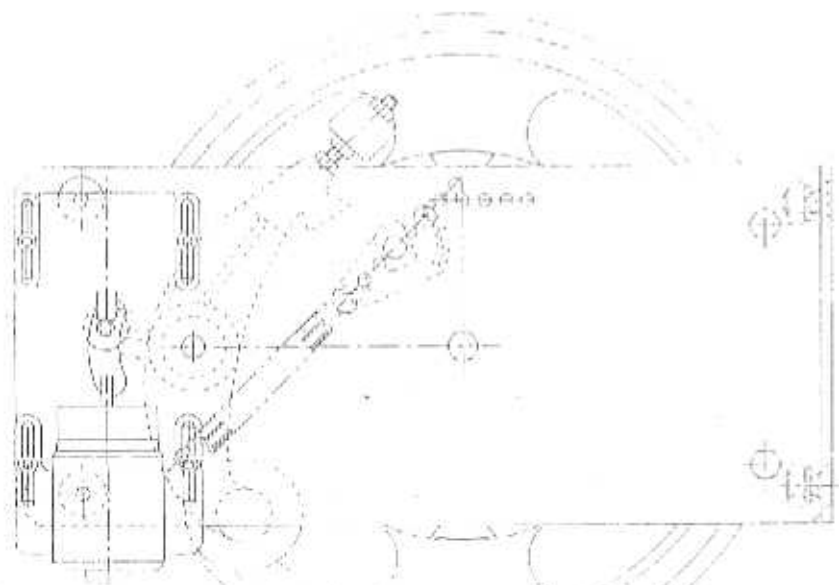
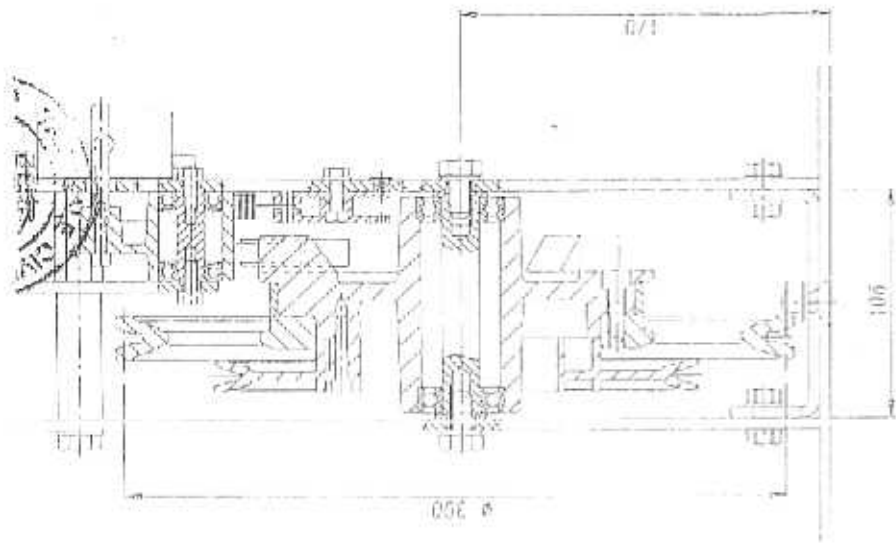
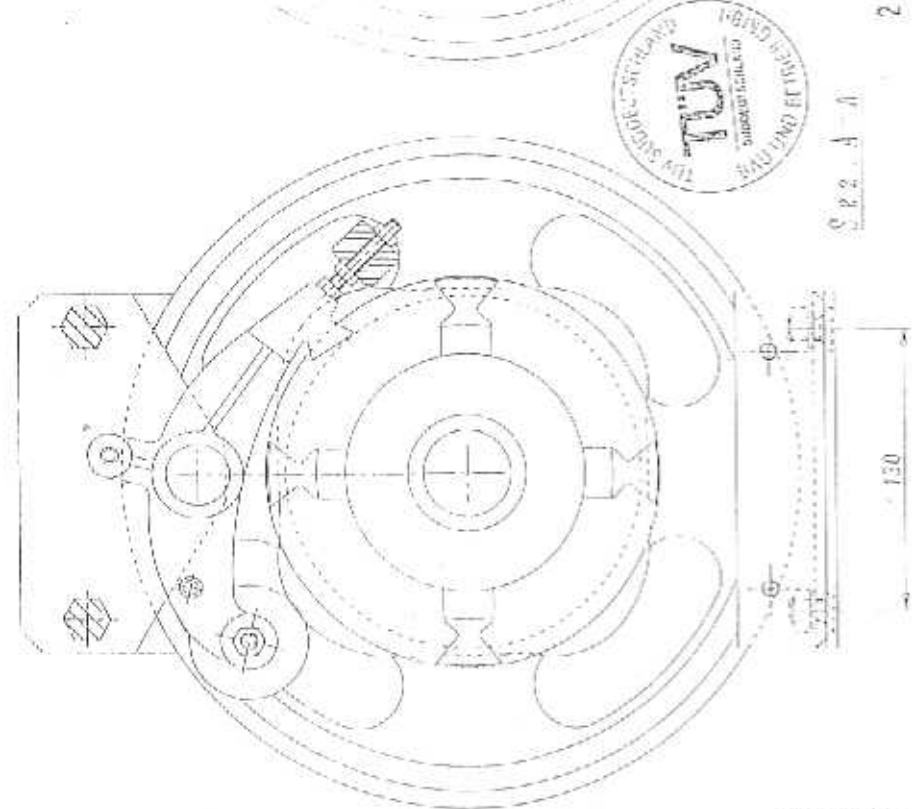
TUV Industrie Service GmbH
 TÜV SÜD Gruppe
 Abteilung Aufzüge und Seilrheiselschäfte M
 Versandstr. 13a/13b/13c München
 Der Sachverständige

cege

Emessei non quotati /45°	scale 1:2,5	q. ca'	LAUD. GEN.	NOTE
Rappi non quotati	DENOMINAZIONE		MATERIALE	
TOLL. QUOTE LIBERE	COMPRESSIVO		QUALITÀ	
S.L. P.005 TOLL.	GRUPPO LIMITATORE LK_300/A		STATO-N°-MOD.	
▽ : 0.2	INTERNATIONAL APPLICATION N° PGT/EP97/00488		DISEN.	
▽▽ : 0.15	COMPONENTI MECCANICI PER ASCENSORI		PESO kg.	
▽▽▽ : 0.1	T. T.		DIS.	VER.
▽▽▽ : 20°	TORI		T. T.	DATA
◎ 0.24	ALBERI		DIS.	12/04
± 0.24			COD. N°	0024202300
// 0.24			DIS. N°	LK_300/A



15. FEB. 2005



S 22 A A
20 NOV. 2000

TUV Sueddeutschland Bau u. Betrieb GmbH
Wendstr. 199, D - 80686 Muenchen
Dix Ascensori ed elementi strutturali di sicurezza
Il porto
(firma leggibile)

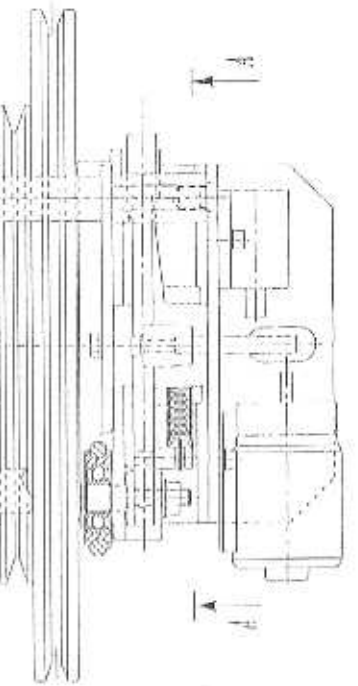


- GEPRÜFT -
TUV Sueddeutschland Bau und Betrieb GmbH
Abteilung Aufzüge und Stromeisrichtungen
Wendstr. 199, D-80686 Muenchen
Der Aufsichtsratsbericht

Regier

MODIFICHE CONFIGURAZIONE

NR	DATA	DESCRIZIONE
1	07/99	TRATTI N°2 RISOLTI ALI MARCHI DELLA PIRELLA
2	08/99	ASSEMBLATO INCONFORME PER CALAMIELLO
3	10/00	MODIFICATO IL GRUPPO DI PEDI



STATUS	DESCRIZIONE	NOTE
non approvati	scala 1:2.5	Q. 100
Raggi non circolari	DENOMINAZIONE	
TOLL. QUOTE LIBERE	COMPLESSIVO	
S.L. RAGIONE TOLL.		
0	0.2	GRUPPO LIMITATORE LK 700
0.07	0.15	
0.00	0.1	INTERNATIONAL APPLICATION N° P11/5997/00468
0.20		
0.04		
0.02		



DOC. N° 8024200100
DIS. N°