

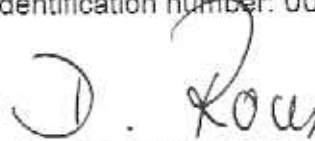


Industrie Service

## EC type-examination certificate

<b>Certificate no.:</b>	AGB 182/3
<b>Notified body:</b>	TÜV SÜD Industrie Service GmbH Zertifizierungsstelle für Aufzüge und Sicherheitsbauteile Westendstraße 199, 80686 München - Germany
<b>Applicant/ Certificate holder:</b>	P.F.B. s.r.l. Via Raimondo Dalla Costa, 690 41100 Modena - Italy
<b>Date of submission:</b>	2006-05-09
<b>Manufacturer:</b>	P.F.B. s.r.l. Via Raimondo Dalla Costa, 690 41100 Modena - Italy
<b>Product, type:</b>	Overspeed governor, type LK 200
<b>Test Laboratory:</b>	TÜV SÜD Industrie Service GmbH Prüfbereich Aufzüge und Sicherheitsbauteile Westendstrasse 199, 80686 München - Germany
<b>Date and number of test report:</b>	2006-05-19 182/3
<b>EC-directive:</b>	95 / 16 / EG
<b>Statement:</b>	The safety component conforms to the directives safety requirements for the respective scope of application stated on page 1 of the Annex to this EC type-examination certificate.
<b>Certificate date:</b>	2006-05-19

Zertifizierungsstelle für Aufzüge und Sicherheitsbauteile  
EC identification number: 0036

  
 Dieter Roas



## Annex of EC type-examination certificate no. AGB 182/3

### 1. Scope of application

- 1.1 Permissible tripping speed 0,32 - 1,70 m/s
- 1.2 Permissible rated speed ≤ 1,48 m/s
- 1.3 Driving rope
- 1.3.1 Category Round strand rope made of steel wire
- 1.3.2 Diameter 6 - 6,5 mm
- 1.4 Tension forces (force produced by the tensioning weight, acting on the axle of pulley)

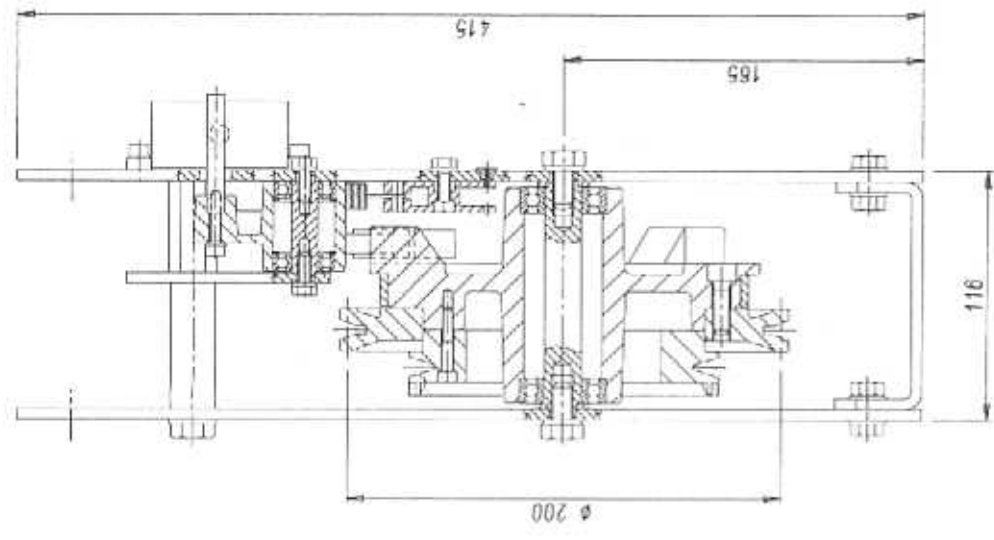
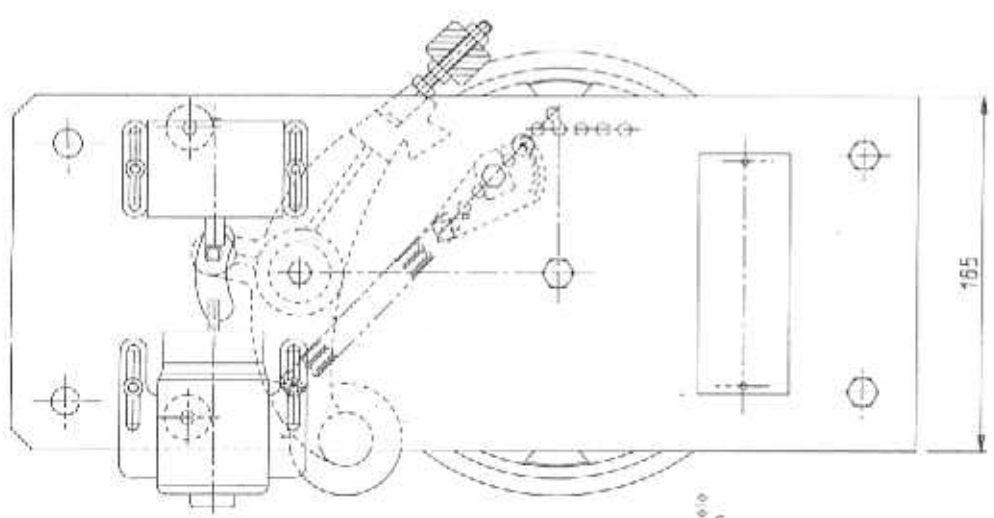
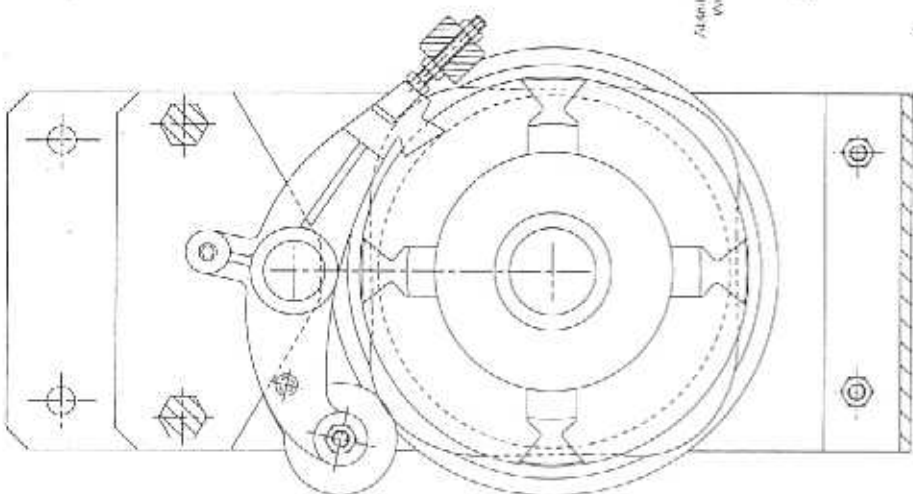
Tension force determined in the test [N] (New rope and groove)	Tensile force in	
	Down direction [N]	Up direction [N]
583	736	----
1020	1619	451

### 2. Conditions

- 2.1 The adjusted tripping speed and the safety switch must be sealed against unauthorized adjustment (safety switch e.g. by colour sealing of the fastening bolts)
- 2.2 Positioning of the overspeed governor vertical with rocker above pulley.
- 2.3 Rope deflection vertical with 180° angle of wrap

### 3. Remarks

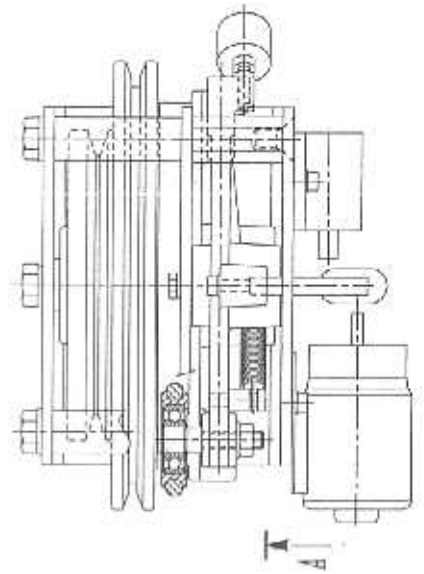
- 3.1 Retraction of the safety gear in both directions of rotation permissible
- 3.2 Possible equipments:
- Preliminary switch off
  - Remote tripping device
  - Remote resetting device of the safety switch
  - Impulse producer (encoder)
  - Protection device against rope leaving the pulley
  - Covering
- 3.3 In order to provide identification and information about the basic design and its functioning and to show the connection requirements pertaining to the tested and approved type, and to differentiate it from others, drawing no. LK\_200 with index 3 dated October 2000 respectively LK\_200/A dated December 2004 is to be enclosed with EC type-examination certificate and the annex thereto.
- 3.4 The EC type-examination certificate may only be used in connection with the pertinent annex.



- GEPRÜFT -  
 TÜV Industrie Service GmbH  
 TÜV SÜD Gruppe  
 Algenrothstraße 111 • 81674 München  
 www.tuv.com • Tel. 0 89 30960 0  
 Fax 0 89 30960 100

*Seget*

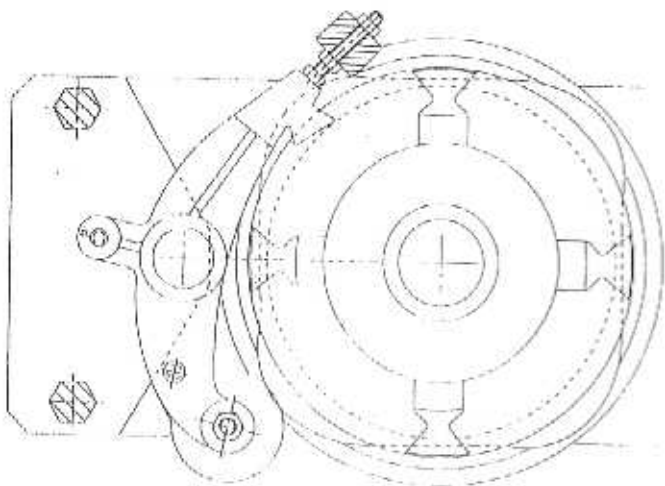
S P Z - A - A



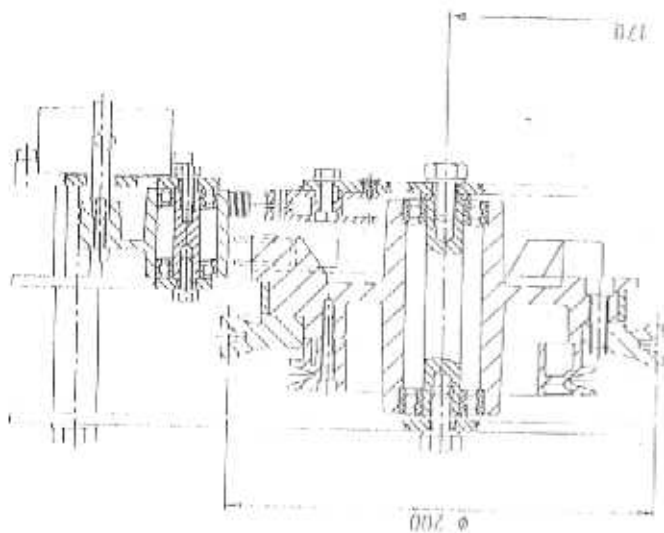
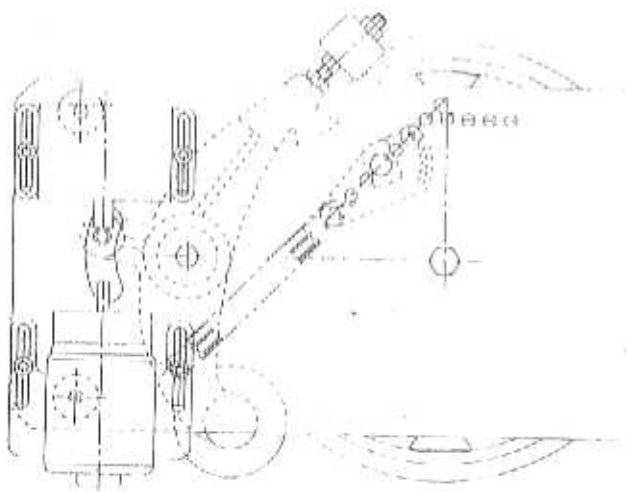
15. FEB. 2005



Smussi non dotati / 45°	scala 1:2,5	Q. CE'	NOTE
Raggi non quotati.	DENOMINAZIONE		PATERIALE
TOLL. QUOTE LIBERE	COMPLESSIVO		QUALITA'
S. L. RAFF. TOLL.	GRUPPO LIMITATORE LK_200/A		STATO-N°-MOD.
∇ : 0,2	INTERNATIONAL APPLICATION N° POT/EP9700468		DIMEN.
∇∇ : 0,15	COMPONENTI MECCANICI PER ASCENSORI		PESO kg.
∇∇∇ : 0,1	P.F.B. S.p.A.		T.T.
∇ : 20'	FORI		DIS. VER. DATA
∇ : 0,04	2 BERTI		12/04
∇ : 0,04	4 FORI		COD.N° 8024202200
∇ : 0,04			DIS.N° LK_200/A



130



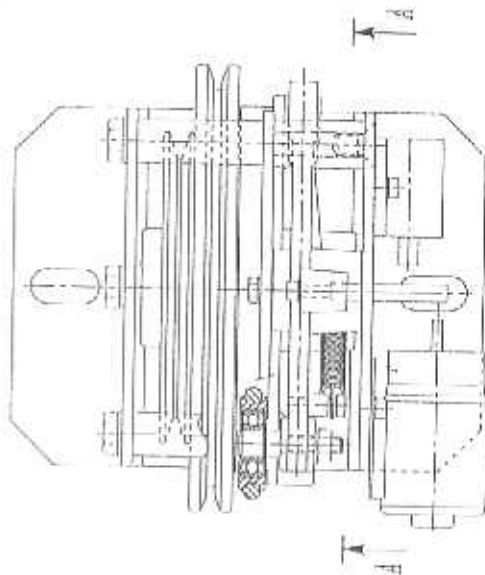
106



Sec. A-2

20 NOV. 2000

- GEPRÜFT -  
 TÜV SÜddeutschland Bau und Betrieb GmbH  
 Abteilung Aufzüge und Seilferrissole  
 Westendstr. 198, D-80808 München  
 Der Sachverständige



MODIFICHE - MODIFIKATIONEN

NO.	DATA	DESCRIZIONE
1	02/98	12.11.97 LIEBER NEL MODELLO 12.11.97
2	28/98	AGGIUNTA CONTRAPESO PER IL MODELLO
3	10/00	MODIF. DATA PROLESSIONE 21.03.00

Sinistri: non auctati Raggi non nocivi	45°	scala 1:1,5	0,10°	LAVOR. GEN.	NOTE
TOLL. DATE LIEBER		DENOMINAZIONE		MATERIALE	
S.L. 1.000	TELL.	COMPLESSIVO		DUALITA	
1.000	1.000	BRUPPO		STATO-N. POC	
1.000	1.000	LIMITATORE LK 200		DIFEN.	
1.000	1.000	INTERNATIONAL APPLICATION A. PCT/EP73/00458		PESO KG	
1.000	1.000	INTERNATIONAL APPLICATION A. PCT/EP73/00458		T.T.	
1.000	1.000	INTERNATIONAL APPLICATION A. PCT/EP73/00458		D.T.S.	DATA
1.000	1.000	INTERNATIONAL APPLICATION A. PCT/EP73/00458		DER	12/97
1.000	1.000	INTERNATIONAL APPLICATION A. PCT/EP73/00458		DOC. N°	2024200200
1.000	1.000	INTERNATIONAL APPLICATION A. PCT/EP73/00458		D.T.S. N°	LK 200



COMPONENTI MECCANICI  
 PER ASCENSORI