



EC type-examination certificate

Certificate no.:	AGB 082/5
Notified body:	TÜV SÜD Industrie Service GmbH Zertifizierungsstelle für Aufzüge und Sicherheitsbauteile Westendstraße 199, 80686 München - Germany
Applicant/ Certificate holder:	P.F.B. s.r.l. Via Raimondo Dalla Costa, 690 41100 Modena - Italy
Date of submission:	2006-05-09
Manufacturer:	P.F.B. s.r.l. Via Raimondo Dalla Costa, 690 41100 Modena - Italy
Product, type:	Overspeed governor, type R1
Test Laboratory:	TÜV SÜD Industrie Service GmbH Prüfbereich Aufzüge und Sicherheitsbauteile Westendstrasse 199, 80686 München - Germany
Date and number of test report:	2006-05-19 082/5
EC-directive:	95 / 16 / EG
Statement:	The safety component conforms to the directives safety requirements for the respective scope of application stated on page 1 of the Annex to this EC type-examination certificate.
Certificate date:	2006-05-19

Zertifizierungsstelle für Aufzüge und Sicherheitsbauteile
EC identification number: 0036


 Dieter Roas





Annex of EC type-examination certificate no. AGB 082/5

1. Scope of application

- 1.1 Permissible tripping speed 0,41 - 2,00 m/s
- 1.2 Permissible rated speed $\leq 1,74$ m/s
- 1.3 Driving rope
- 1.3.1 Category Round strand rope made of steel wire
- 1.3.2 Diameter 6 - 8 mm
- 1.4 Tension forces (force produced by the tensioning weight, acting on the axle of pulley)

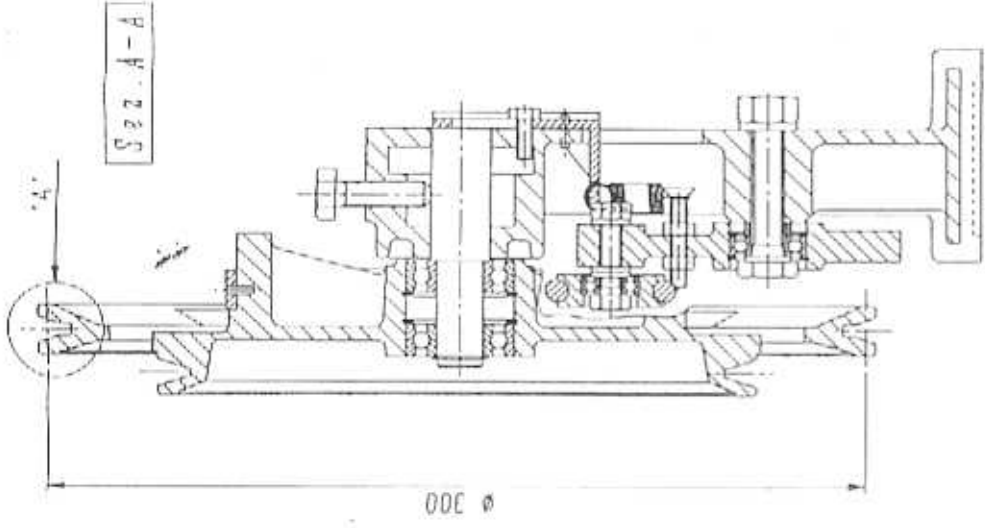
Tension force determined in the test [N] (New rope and groove)	Tensile force in	
	Down direction [N]	Up direction [N]
583	736	----
1020	1619	451

2. Conditions

- 2.1 The adjusted tripping speed and the safety switch must be sealed against unauthorized adjustment (safety switch e.g. by colour sealing of the fastening bolts).
- 2.2 Vertical stand positioning of the overspeed governor
- 2.3 Rope deflection vertical with 180° angle of wrap

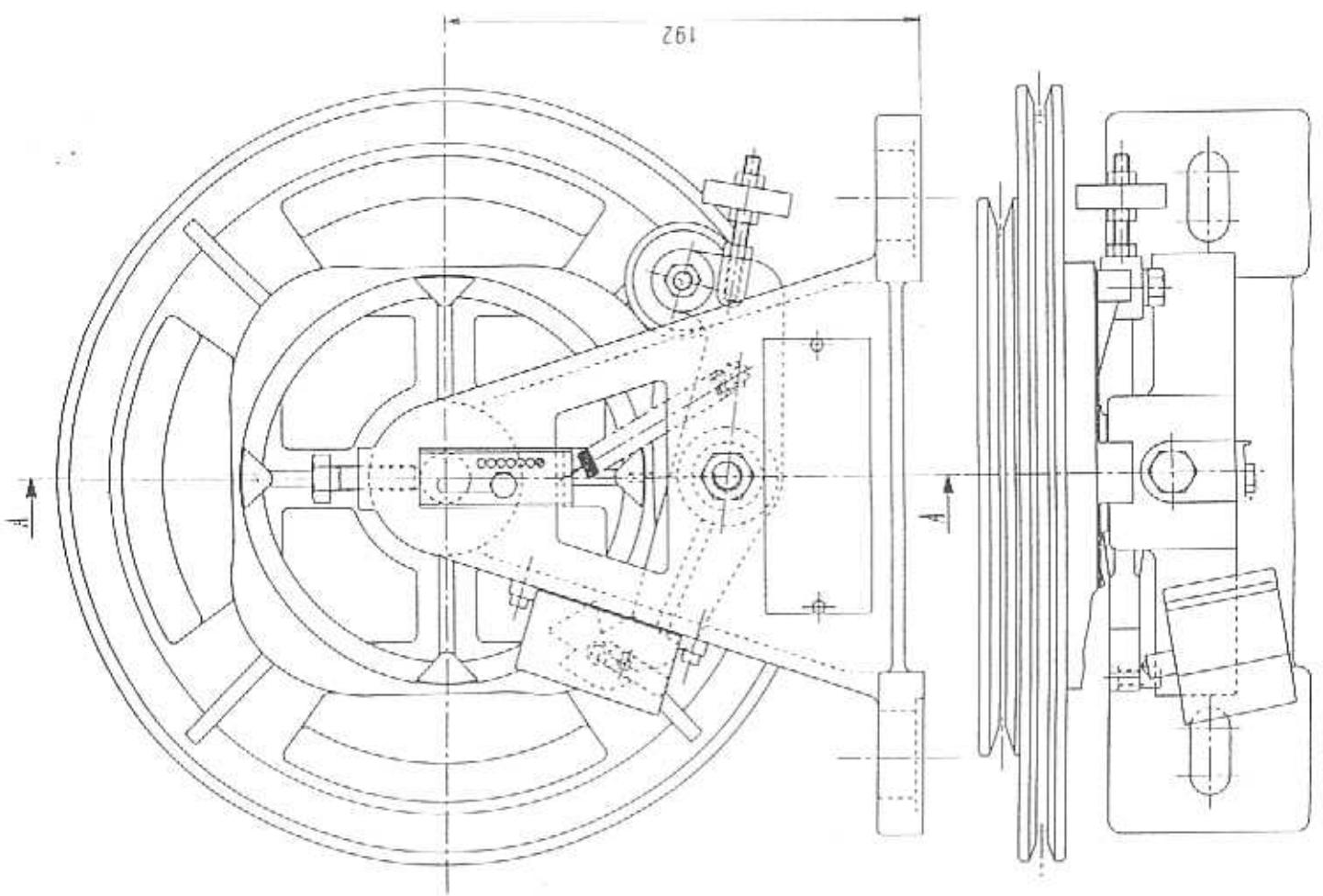
3. Remarks

- 3.1 Retraction of the safety gear in both directions of rotation permissible
- 3.2 Possible equipments:
- Preliminary switch off
 - Protection device against rope leaving the pulley
 - Covering
- 3.3 In order to provide identification and information about the basic design and its functioning and to show the connection requirements pertaining to the tested and approved type, and to differentiate it from others, drawing no. R.1_000B dated October 1998 is to be enclosed with EC type-examination certificate and the annex thereto.
- 3.4 The EC type-examination certificate may only be used in connection with the pertinent annex.



INGRANDIMENTO "A"
ENLARGEMENT "A"

27. JAN. 1939
- 0272411 -
100' Bau- und Betriebsanweisung
Ursprungszeichnung U.V. Süddeutschland
Zeichn. Bspg. 1
Zweite Abbildung Anlage 2 mit Schriftwechsel
Der Sachverständigen



Spurs non quotati /45	scale 1:2	G. ba.	LAVOR. GEN.	NOTE
Raggi non quotati	DENOMINAZIONE		MATERIALE	
TOLL. QUOTE LIBERE	COMPLESSIVO		QUALITA'	
S. L. POS. TOLL.	GRUPPO	LIMITATORE DI VELOCITA' R. 1	STATO-N°-MOD.	
∇ ± 0.2	MACCHINA		DIMEN.	
∇∇ ± 0.15			RESO kg.	
∇∇∇ ± 0.1			T. T.	
∇ ± 20'			DIS.	VER.
∇ 0.04			DATA	19/38
∇ 0.04			COD. N°	8024201300
// 0.04			DIS. N°	R. 1_000B



COMPONENTI MECCANICI
PER ASCENSORI