



OIL BUFFERS

RANGE OF USE

Table 1:

Order number	Rated speed (m/s)	
	Full Stroke	Reduced Stroke
655001G..	1.6...3.50	≤6.18
655002G..	4.00...5.65	≥9.82

INCLUDED IN DELIVERY

- Buffer See delivery condition, Section 4.2
- Safety switch..... Optional
- Safety switch cable..... Optional
- Specification label..... Canadian optional
- Plastic protective dust cover Optional

ORDER INFORMATION

Tables

Table 2:

Order option	Order code	Order code	
		Included	Not included
Safety switch*	ZA=	1	0
Specific. label (Canada)	BV=		
Plastic protect. dust cover	DA=		
Order option	Order code	Comment	
Oil	LN=1	Supplied either inside buffer or separately in cans.	
	LN=0	No oil included in order	
Cable for switch	655901G01	Cable and plug-in 8 m	
	655901G02	Cable and plug-in 12 m	
Certification	ANSI	According to ANSI Code	
	EN 81-1	According to 2014/33/UE Directive	
	EN 81-20		
	EN 81-50		

Table 3:

Order number	Type	Max. impact speed (m/s)	CB (mm)	CL (mm)	Volume of oil LN (litres)	Weight (kg)
655001 G01	OB 16	1.84	175	625	1.7	29
G02	OB 18	2.08	230	765	2.1	32
G03	OB20	2.34	290	915	2.6	36
G04	OB 23	2.60	350	1080	3.1	40
G05	OB 25	2.88	435	1300	3.7	45
G06	OB 29	3.25	550	1595	4.6	52
G07	OB 31	3.62	680	1920	5.6	60
G08	OB 35	4.09	860	2365	7.1	71
655002 G01	OB 40	4.60	1112	3000	11.7	115
G02	OB 45	5.20	1390	3692	14.6	140
G03	OB 50	5.75	1740	4540	17.7	166
G04	OB 56	6.50	2170	5615	22.8	208

Table 4:

Order number	Type	EN 81-1; EN 81-20; EN 81-50			Impact mass (kg)		Certification			
		Max. nom. speed (m/s)					EN 81.1 EN81.20 EN 81.50	KTL	EAC CASTOMS UNION	CHINA GB 7588
		Buffer stroke								
		100%	50%	33%	min.	max.				
655001 G01	OB 16	1.60	-	-	700	5300	X		X	X
G02	OB 18	1.80	-	-	700	5300	X	X	X	X
G03	OB20	2.00	-	-	700	5300	X		X	X
G04	OB 23	2.28	-	-	700	5300	X		X	X
G05	OB 25	2.50	3.59	4.40	700	5300	X	X	X	X
G06	OB 29	2.86	4.03	4.94	700	5300	X	X	X	X
G07	OB 31	3.15	4.49	5.50	700	5300	X	X	X	X
G08	OB 35	3.50	5.05	6.18	1300	5300	X	X	X	X
655002 G01	OB 40	4.00	5.74	7.03	1300	6600	X	X (max 5300 kg)	X	X
G02	OB 45	4.52	6.42	7.86	1300	5300				
G03	OB 50	5.00	7.18	8.80	1300	5300				
G04	OB 56	5.65	8.02	9.82	1300	5300				

- not to be used.



Table 5:

Order number	Type	TSSA, ANSI				
		Max. nom. speed m/s [fpm]			Impact mass	
		Buffer stroke			kg [lbs]	
		100%	50%	33%	min.	max.
655001 G02	OB 18	1.8 [354]	-	-	1170 [2580]	5300
G03	OB 20	2.00 [400]	-	-	1300	[11700]
G05	OB 25	2.50 [500]	3.57 [705]	-	[2870]	
G08	OB 35	3.50 [700]	4.95 [985]	6.06 [1210]		

all types into the table 5 are TSSA/ANSI tested.

DELIVERY CONDITION OF BUFFER

- Buffers 655001 G01 to G05 are delivered standing vertically, all others are delivered horizontally packed.
- Horizontally packed buffers are delivered with oil contained separately in cans.

TO BE STATED ON ORDER

- Buffer order number(tables 3,4,5) = _____
- Certification according to **EN** or **ANSI** (Table 2) = _____
- Delivered with/without: oil (table 2) LN = _____
- safety switch (table 2) ZA = _____
- specification label (table 2) BV = _____
- plastic protective cover (table 2) DA = _____
- 8 m length cable for switch (table 2) = 655901G01
- or:
- 12 m length cable for switch (table 2) = 655901G02

1 DIMENSIONS

ACCORDING TO EN CODES

ACCORDING TO ANSI CODE

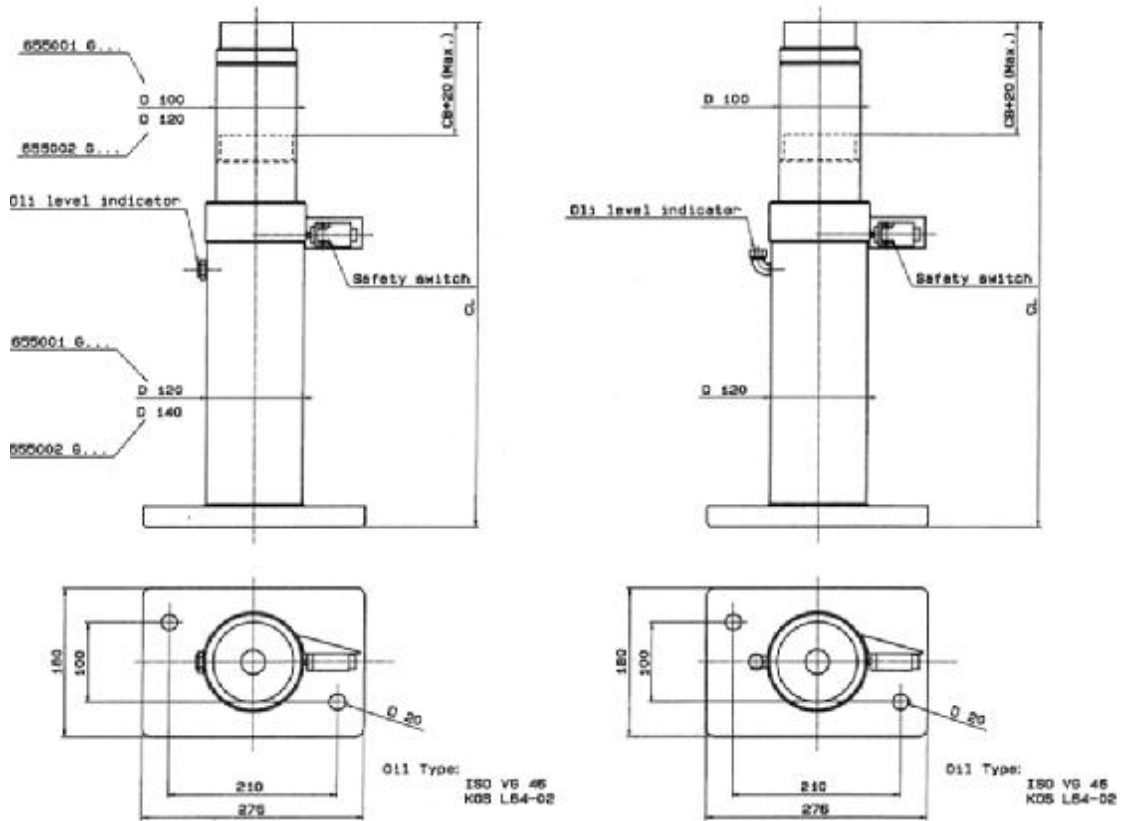


Figure 1.

2 SYMBOLS USED

- BB = height of uncompressed buffer and extension.
- BV = order variable for the delivery of a Specification Label for Canadian deliveries.
- CB = buffer stroke.
- CL = height of uncompressed buffer.
- DA = order variable for the delivery of a Plastic Protective Dust Cover.
- LN = order variable for the delivery of Hydraulic Oil.
- ZA = order variable for the delivery of Safety Switch.