

CERTIFICAT

CERTIFICADO

СЕРТИФИКАТ

認証証書

CERTIFICATE

ZERTIFIKAT



Industrie Service

EC type-examination certificate

Certificate no.: AGB 186/3

Notified body: TÜV SÜD Industrie Service GmbH
Zertifizierungsstelle für Aufzüge und Sicherheitsbauteile
Westendstraße 199, 80686 München - Germany

Applicant/
Certificate holder: P.F.B. s.r.l.
Via Raimondo Dalla Costa, 690
41100 Modena - Italy

Date of submission: 2006-05-09

Manufacturer: P.F.B. s.r.l.
Via Raimondo Dalla Costa, 690
41100 Modena - Italy

Product, type: Overspeed governor, type LK 315

Test Laboratory: TÜV SÜD Industrie Service GmbH
Prüfbereich Aufzüge und Sicherheitsbauteile
Westendstrasse 199, 80686 München - Germany

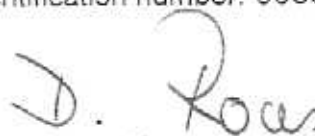
Date and number
of test report: 2006-05-19
186/3

EC-directive: 95 / 16 / EG

Statement: The safety component conforms to the directives safety requirements for the respective scope of application stated on page 1 of the Annex to this EC type-examination certificate.

Certificate date: 2006-05-19

Zertifizierungsstelle für Aufzüge und Sicherheitsbauteile
EC identification number: 0036


Dieter Roas





Annex of EC type-examination certificate no. AGB 186/3

1. Scope of application

- 1.1 Permissible tripping speed 0,40 - 3,24 m/s
- 1.2 Permissible rated speed $\leq 2,81$ m/s
- 1.3 Driving rope
- 1.3.1 Category Round strand rope made of steel wire
- 1.3.2 Diameter 8 - 10 mm
- 1.4 Tension forces (force produced by the tensioning weight, acting on the axle of pulley)

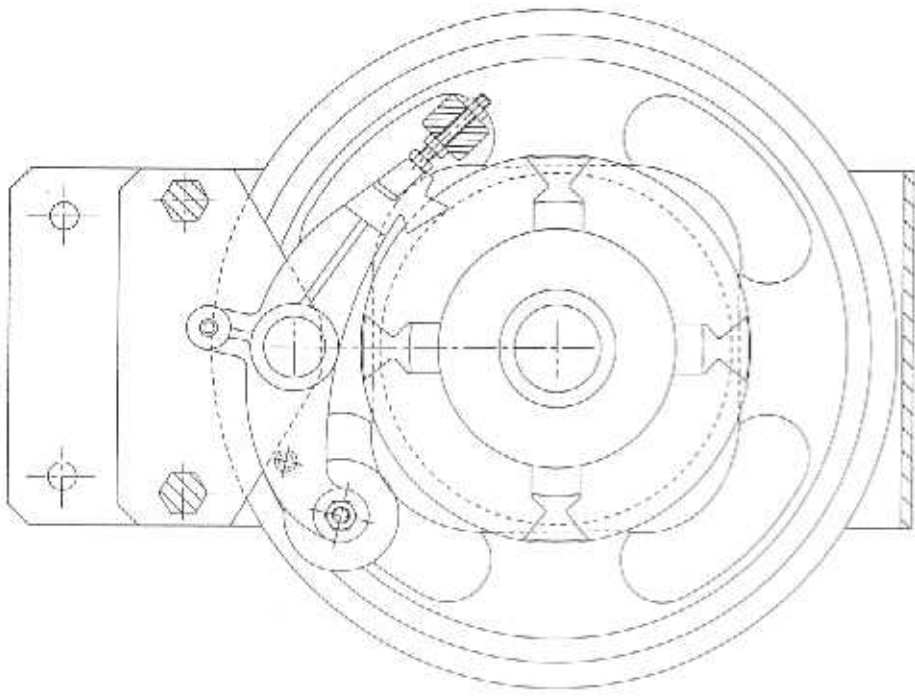
Tension force determined in the test [N] (New rope and groove)	Tensile force in	
	Down direction [N]	Up direction [N]
583	736	---
1020	1619	451

2. Conditions

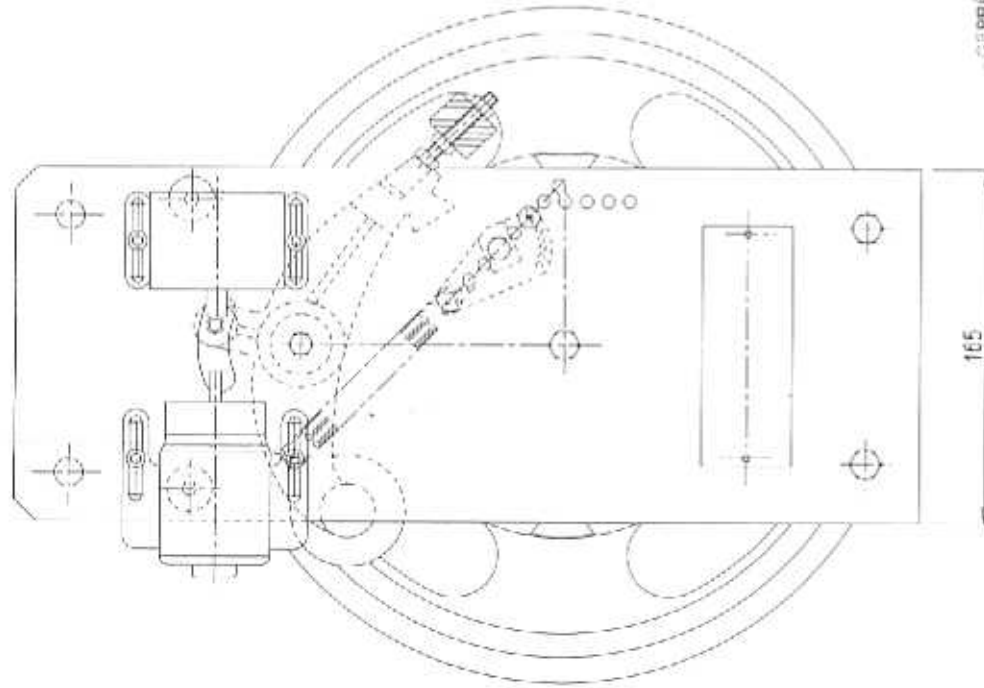
- 2.1 The adjusted tripping speed and the safety switch must be sealed against unauthorized adjustment (safety switch e.g. by colour sealing of the fastening bolts)
- 2.2 Positioning of the overspeed governor vertical with rocker above pulley.
- 2.3 Rope deflection vertical with 180° angle of wrap

3. Remarks

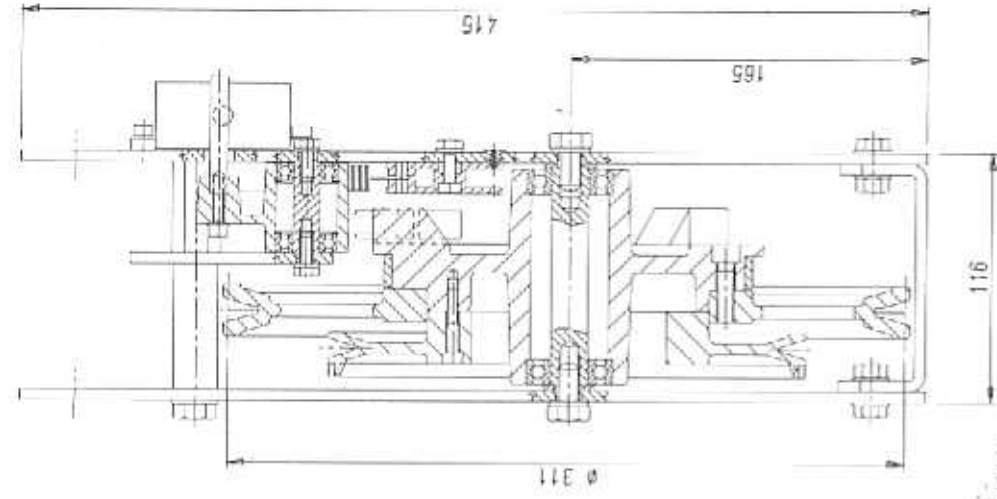
- 3.1 Retraction of the safety gear in both directions of rotation permissible
- 3.2 Possible equipments:
- Preliminary switch off
 - Remote tripping device
 - Remote resetting device of the safety switch
 - Impulse producer (encoder)
 - Protection device against rope leaving the pulley
 - Covering
- 3.3 In order to provide identification and information about the basic design and its functioning and to show the connection requirements pertaining to the tested and approved type, and to differentiate it from others, drawing no. LK_315 with index 3 dated October 2000 respectively LK_315/A dated December 2004 is to be enclosed with EC type-examination certificate and the annex thereto.
- 3.4 The EC type-examination certificate may only be used in connection with the pertinent annex.



Sez. A-A



165



116

165

145

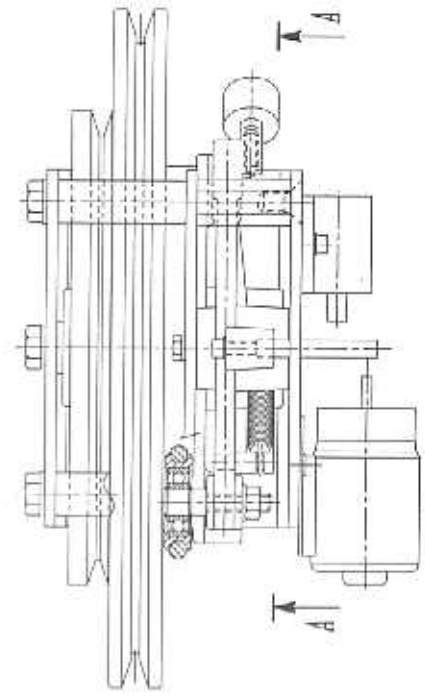
GEPRÜFT -
TUV SUD Division

107, rue de la Service GmbH
TUV SUD Division
Lehrstr. 107, D-50667 Köln, Germany
Tel. +49 221 355 1000 Fax +49 221 355 1001
www.tuv-sud.com

cege



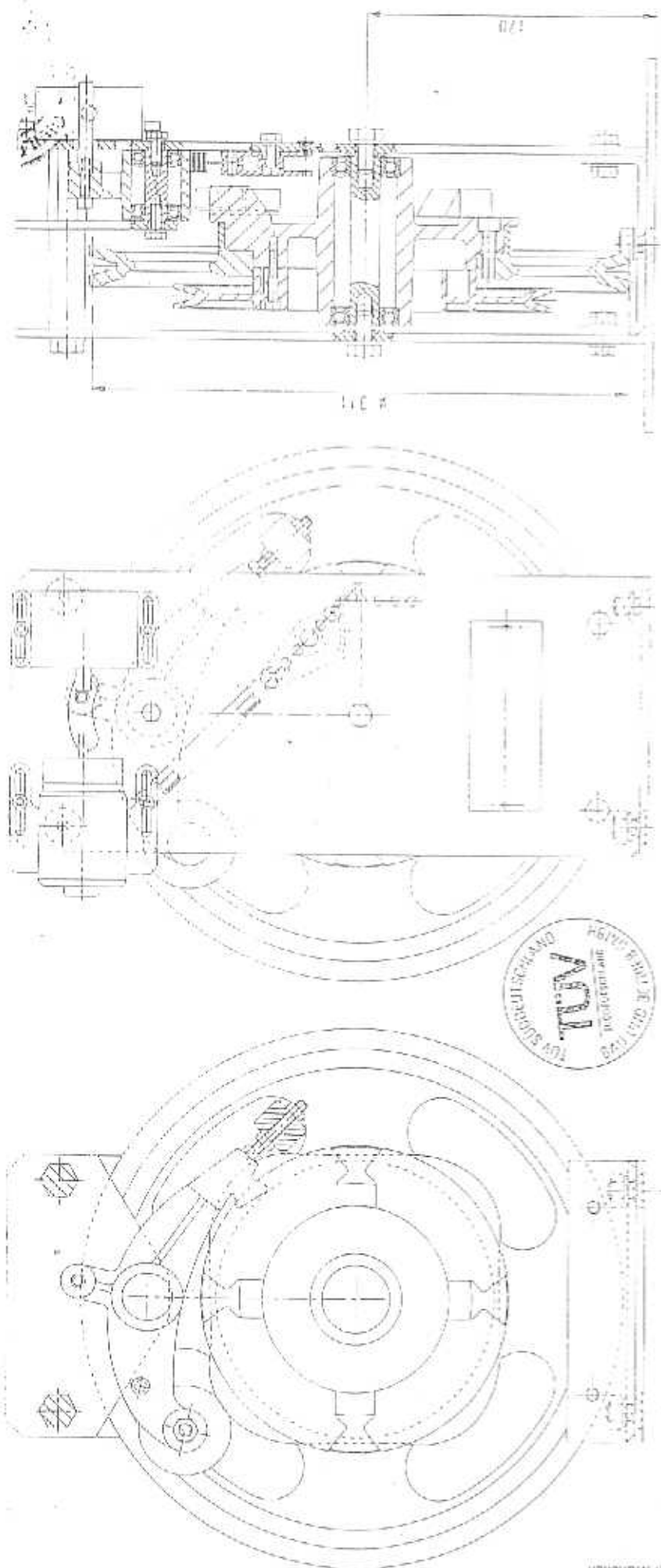
15. FEB. 2005



Stivati non quotati / 45°	scella 1-2,5	0,13'	NOTE
Raggi non quotati	DENOMINAZIONE		MATERIALE
TOLL. QUOTE LIBERE	COMPLESSIVO		QUALITA'
S.L.L.	GRUPPO		STATO-N°-MOD.
▽	LIMITATORE LK.315/A		DIPEN.
▽▽	INTERNATIONAL APPLICATION N° PCT/EP97/00466		PESO Kg.
▽▽▽	FORI		T.T.
▽▽▽▽	28°		DIS.
▽▽▽▽▽	20'		VER.
▽▽▽▽▽▽	8.84		DATA
▽▽▽▽▽▽▽	8.84		12/04
▽▽▽▽▽▽▽▽	8.84		COORDINATE
▽▽▽▽▽▽▽▽▽	8.84		8024202315
▽▽▽▽▽▽▽▽▽▽	8.84		LK_315/A



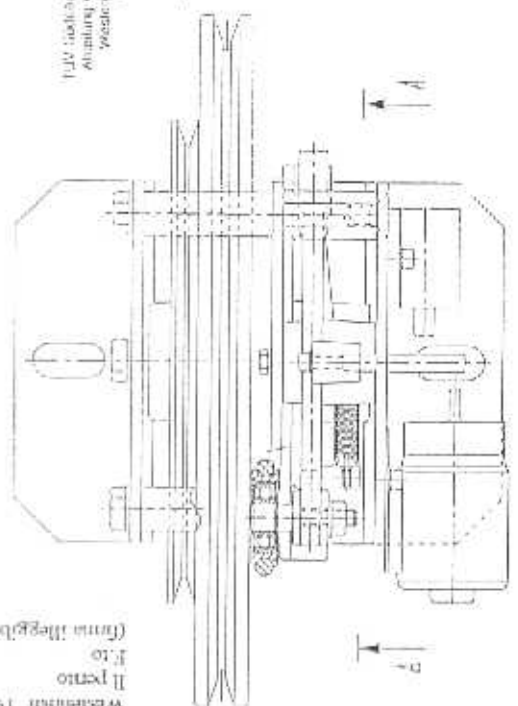
TUV SÜDDEUTSCHLAND Bau u. Betrieb GmbH
 Div. Ascensori ed elementi strutturali di sicurezza
 Weststr. 199, D - 80386 München
 Il pinto
 Eto
 (firma illeggibile)



S 2 2 A 2

20 NOV 2010

GERHUT
 TÜV SÜDDEUTSCHLAND Bau u. Betrieb GmbH
 Abteilung Aufzüge und Sicherheitstechnik
 Weststr. 199, D - 80386 München
 Ein-Sachverständiger



MODIFICHE MODIFICAZIONI

NO	DATA	DESCRIZIONE
1	01/93	1.11.87 21.12.87.01.018 DELLA PREL. 4
2	06/93	REVISIONE: DIMENSIONI PER SALVABILLO
3	10/00	MODIFICAZIONE PREL. 4.0.0.0.0.

DESCRIZIONE	LAUCR. GEN.	NOTE
COMPRESSIVO		
GRUPPO		
INTERNATIONAL APPLICATION N° P077597/00185		
COMPONENTI MECCANICI		
PER ASCENSORI		

