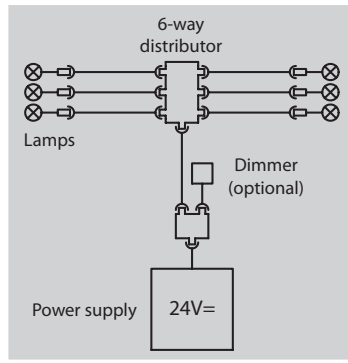


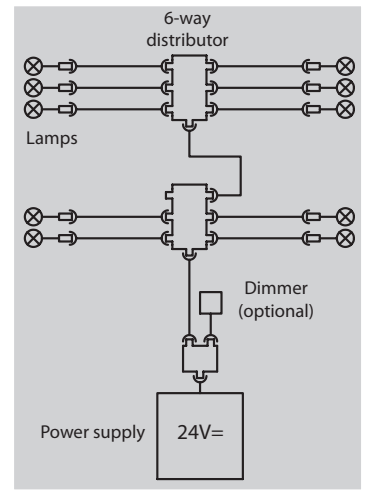
Universally suitable for ceiling cutouts 12 - 59mm with extension rings up to 84mm



Cabin lighting CabinLED3-for on-surface mounting



Wiring example CabinLED3 with max. 6 lamps and dimmer



Wiring example CabinLED3 with max. 10 lamps and dimmer

Technical data

Switching power supply standard:

Input: 100-240V AC 50Hz/60Hz
2m supply line H05VV-F 2x0.75mm²
Output: 24VDC / 2.0A 50W
1.5m outgoing line with T-piece
3m connecting cable
LIYY 3x0.34mm² with 6-way distributor
max. 10 pcs. (power supply 50W)
Efficiency: > 88%
Protection type power supply: IP20

Technical data switching power supply with emergency supply see page 90.

Lamp Cabin-LED3-for on-surface mounting:

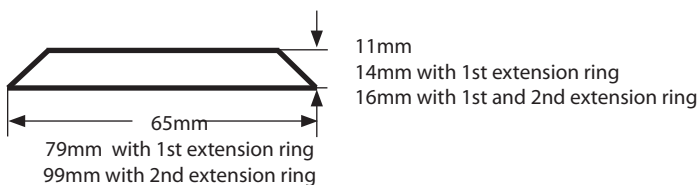
Operating current: 180mA
Power per lamp: 3x1W
Luminous flux + brightness: 300lm for light colour white (w)
228lm for light colour natural-white (nw)
Protection type: IP20
Protection class: III
Housing: Aluminium nickel-plated
Mounting depth: 30mm
Cable on lamp: 17cm, pluggable

Functional description and accessories

At most 6 lamps can be plugged into a sixfold distributor. The dimmer is plugged into the T-piece or into a free output of the sixfold distributor. For more than 6 lamps, a second sixfold distributor is needed.

Cabin-floor space	Ceiling-height	Light colour	Number CabinLED3
up to 1.0m ²	up to 2.2m	white	2
up to 1.5m ²	up to 2.2m	white	4
up to 2.0m ²	up to 2.2m	white	6
for every additional square metre	up to 2.2m	white	2
up to 1.0m ²	up to 2.2m	natural-white	2
up to 1.5m ²	up to 2.2m	natural-white	4
up to 2.0m ²	up to 2.2m	natural-white	6
for every additional square metre	up to 2.2m	natural-white	2

The preceding table data are based on measurements in different stainless steel lift cabins. The prescription of 50lux on the cabin floor made by EN81 was clearly exceeded in all measurements. All indications are without engagement.



Required ceiling cutout

CabinLED3-on-surface mounting: 12mm – 59mm
with 1st extension ring: up to 69.5mm
with 1st and 2nd extension ring: up to 84mm

Mounting at ceiling cutouts with 1st extension ring



Mounting variant 1

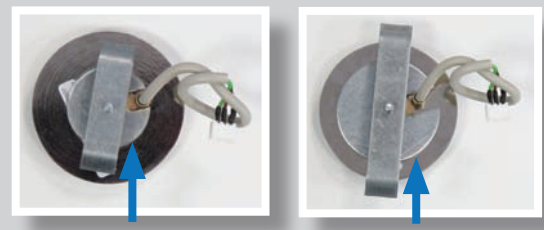
Mounting at ceiling cutouts of 12mm-30mm



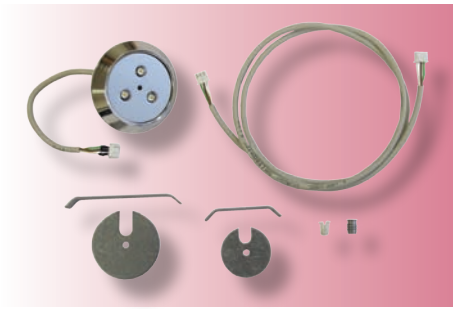
Example: Mounting with drill holes of 6.2mm for threaded bush and 12mm-30mm for the cable lead-through

Mounting variant 2

Mounting at ceiling cutouts of 30mm-59mm



Distance plate small resp. big as a protection against lateral shifting and against theft



Basic package CabinLED3-AB-3pol

Art.no.	Description
20400	CabinLED3-AB-3pol-w
20401	CabinLED3-AB-3pol-nw

- 1x LED-lamp with 17cm connecting cable
- 1x connecting line 1m LIYY 3x0.34mm² to 6-way distributor
- 2x distance plates
- 2x clamps
- 1x speed nut for fixation in sheet metal ceilings
- 1x fitting for fixation in wood ceilings



Switching power supply 24V

Art.no.	Description
20441	CabinLED-PS-24V-50W-3pol-NF

- 1x power supply 230VAC/24VDC, 2A 50W
- 1x supply line with line filter 2m H05VV-F 2x0.75mm²
- 1x outgoing line 1.5m with T-piece
- 1x connecting line 1m LIYY 3x0.34mm² with 6-way distributor



Switching power supply 24V IP20 with emergency supply

Art.no.	Description
20421	CabinLED-NSG-24V-60W-3pol

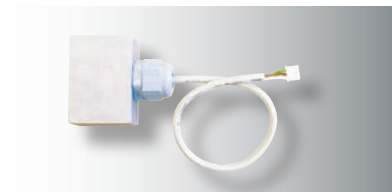
- 1x emergency power supply IP20 equipped and pre-wired with:
 - power supply 230VAC/24VDC with 2m supply line H05VV-F 2x0.75mm²
 - emergency supply with capacity monitoring acc. EN81-28
 - 2x battery 12V/1.2Ah
 - 1x outgoing line 3m LIYY 3x0.34mm² with 6-way distributor
 - 1x outgoing line 3m LIYY 3x0.34mm² with connector

Accessories

Dimmer

Art.no.	Description
20416	CabinLED-Dimmer-3pol

- 1x Dimmer with 1m connecting line



Connecting line

Art.no.	Description
20418	CabinLED-VL-3pol-3m

- 1x connecting cable 3m LIYY 3x0.34mm²
- Connection between lamp and 6-way distributor is necessary with large lamp distances



6-way distributor

Art.no.	Description
20419	CabinLED-6-way-distributor-3pol

- 1x 6-way distributor with 3m connecting line LIYY 3x0.34mm²



Extension rings CabinLED3

Art.no.	Description
20004	CabinLED3-ring1 60-69.5mm
20005	CabinLED3-ring2 70-84mm

- Ring 1 for ceiling cutouts of 60-69.5mm, for ceiling cutouts of 70-84mm ring 1 and ring 2 are necessary.

