

MODEL CRT-A SPECIFICATION

Single rope sensor designed to be used on the elevator 4-8mm ropes.



Metrology and Electrical Specifications

Rated Output	2 +/- 0.02%	mV/V
Zero Balance	+/- 1%	rated load
Total Error	0.5	rated load
Nominal input voltage	10	load
Maximum input voltage	15	VV
Input resistance	1000 +/- 10	ohms
Output resistance	1000 +/- 2	ohms

Product Description

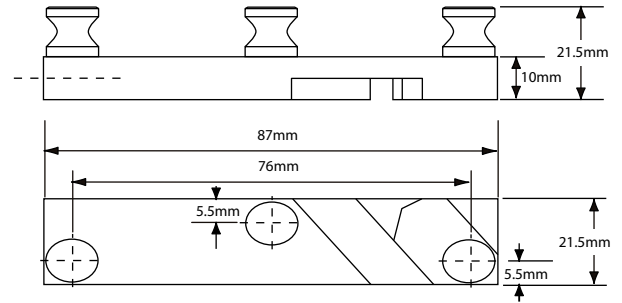
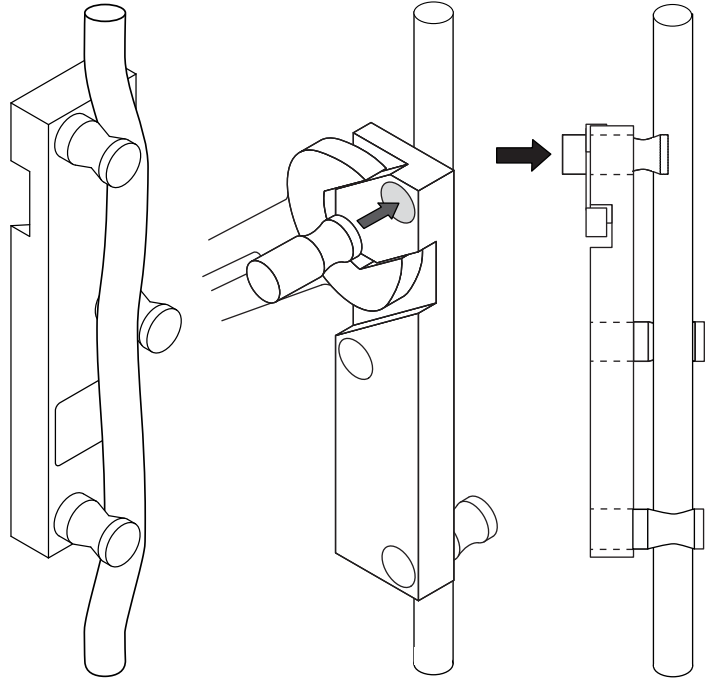
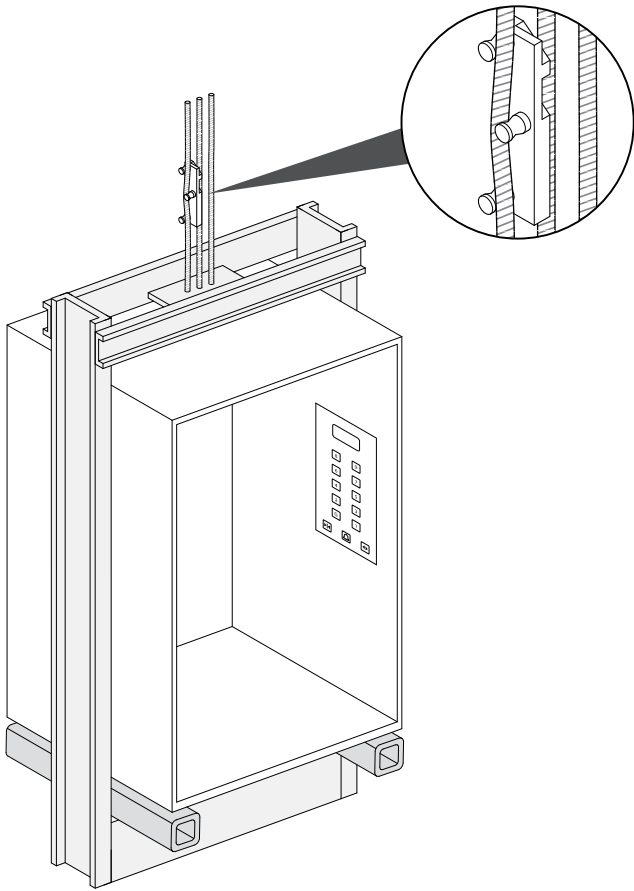
The rope sensor system combines an alloy steel sensor with three steel pins for fixing to a single elevator rope. Simple installation makes them ideal for retrofit applications.

General Specifications

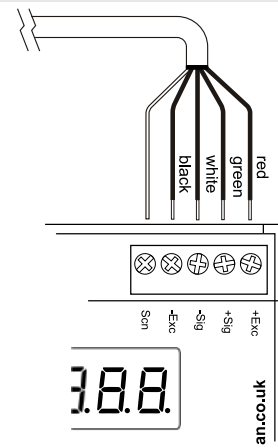
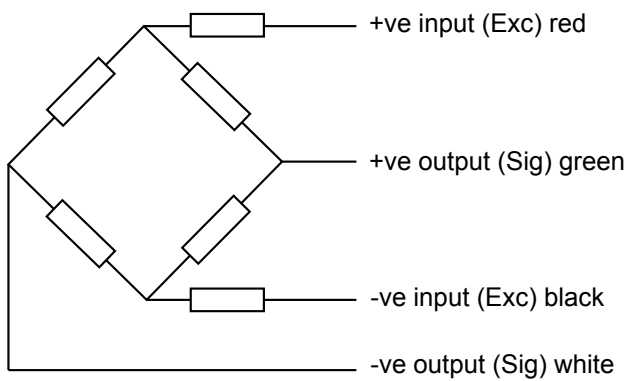
Overload	150	% rated load
Ultimate load	200	% rated load
Temperature range	-30 to +70	C
Protection	IP67/68	
Material	Steel Alloy	

Rope Sensor

Alloy steel construction
 Suitable for rope sizes 4mm - 8mm
 Ease of installation



Wiring Schematic Diagram



Unit W4/5 Capital Point
Capital Business Park
Wentlog Avenue
CARDIFF CF3 2PW

(t) +44 (0) 29 2062 5964
(f) +44 (0) 29 2062 5958
(e) info@garan.co.uk
(w) www.garan.co.uk