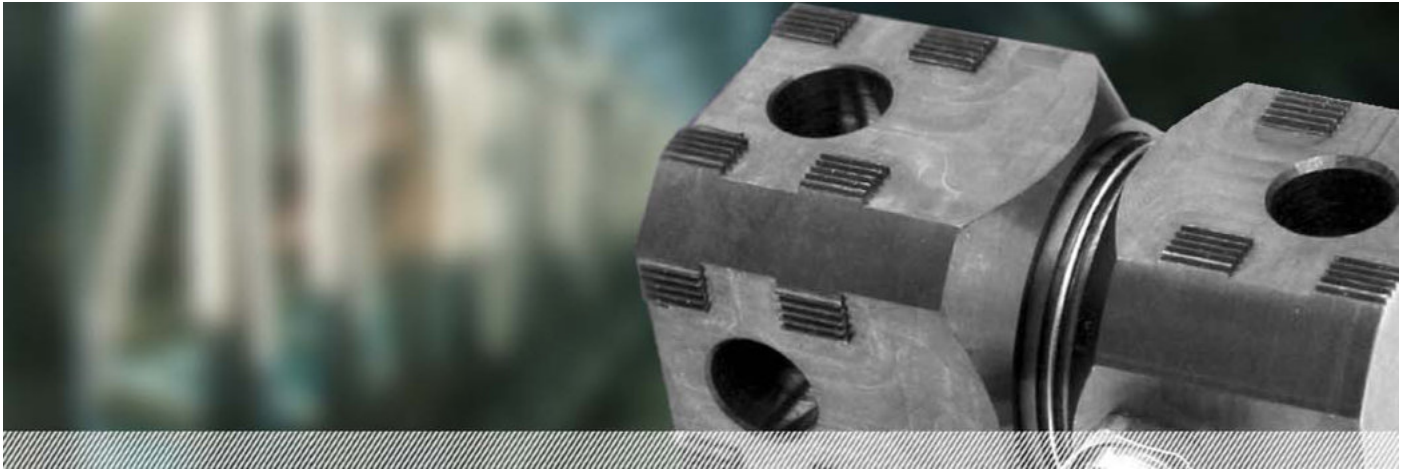


MODEL CBT SPECIFICATION

The beam sensor is designed to be fixed to the elevator's car frame.



Metrology and Electrical Specifications

Rated Output	1.2 +/- 10%	mV/V
Zero Balance	5	+/- mV/V
Total Error	0.25	+/-% of applied load
Nominal input voltage	5	VV
Maximum input voltage	10	VV
Input resistance	1010 +/- 50	ohms
Output resistance	1000 +/- 2	ohms

General Specifications

Overload	150	% rated load
Ultimate load	300	% rated load
Temperature range	-30 to +70	C
Protection	IP68	
Material	Stainless Steel	17-4 PH(1.4548)
Cable length	3	Metres

Product Description

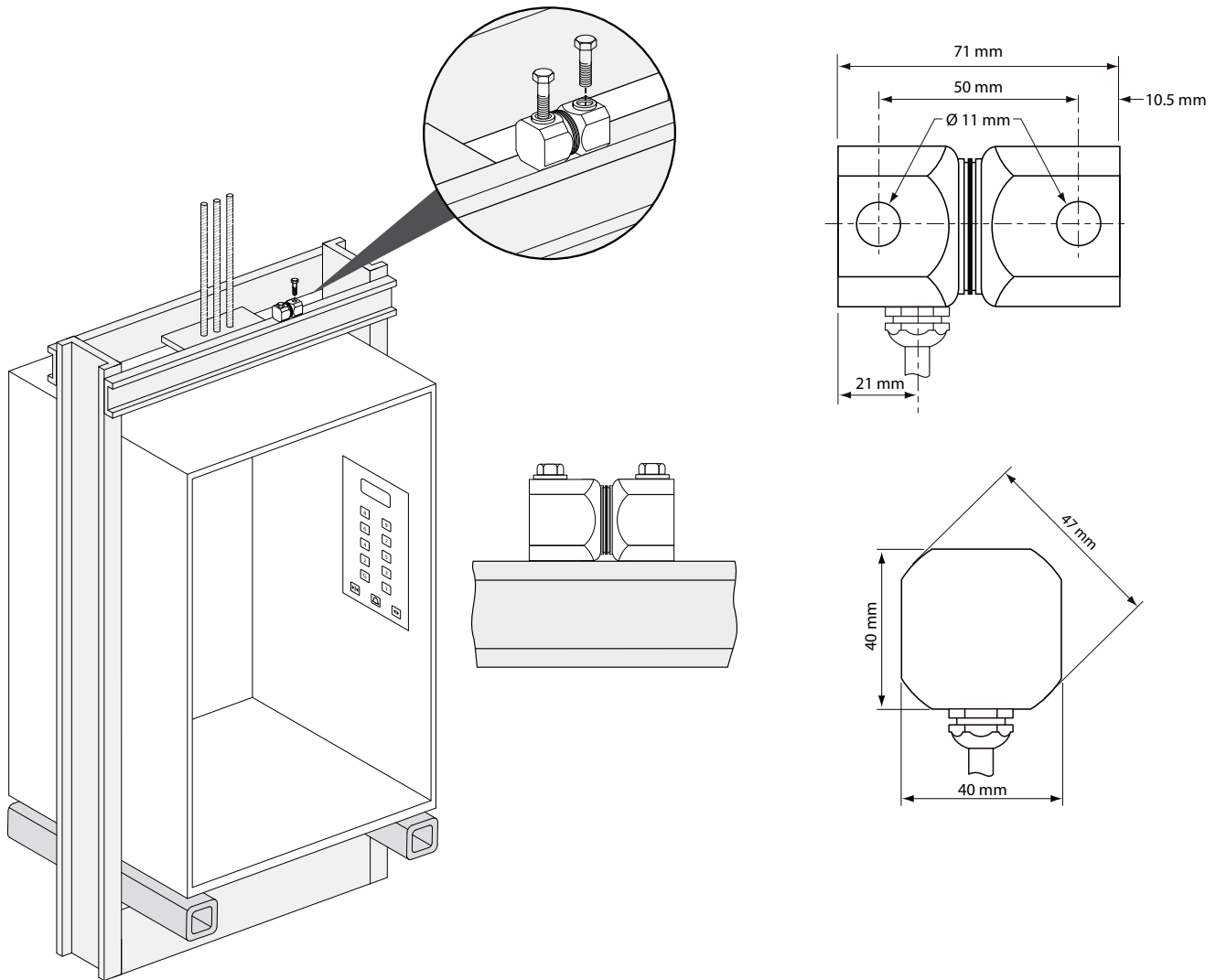
This sensor is a hermetically sealed bolt-on extensometer. They are based on a full Wheatstone strain gauge bridge and deliver a high-gain output signal proportional to the minimal deformation of the beam it is bolted to. A robust Stainless Steel design.

The CBT can be used in pairs should the application require it

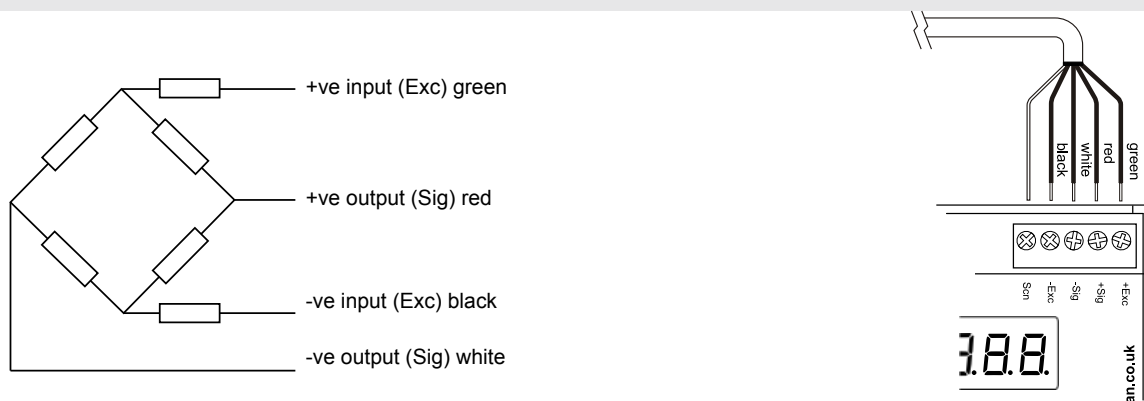
Beam Sensor

Stainless steel construction
 Environmental Protection IP68 with complete hermetic sealing
 High resolution
 Easy bolt installation (2x M10), no adhesives required
 Shielded cable
 Straightforward installation

Technical Illustrations



Wiring Schematic Diagram



Unit W4/5 Capital Point
Capital Business Park
Wentloog Avenue
CARDIFF CF3 2PW

(t) +44 (0) 29 2062 5964
(f) +44 (0) 29 2062 5958
(e) info@garan.co.uk
(w) www.garan.co.uk