



REPLACEMENT OF SHOES

**SERIES ASG-XXX-UD/ ASG-XXX
PR-2500 UD/PQ-3400 UD/ PQ-4000 UD
PR-2000 UD**

INSTRUCTIONS FOR USE

USAGE AND MAINTENANCE INSTRUCTIONS

1	BACKGROUND.....	3
2	SHOE REPLACEMENT ACCORDING TO SAFETY GEAR MODEL.....	3
2.1	SERIES ASG-XXX UD/ ASG-XXX.....	3
2.2	PR-2500 UD/ PQ-3400 UD/ PQ-4000 UD.....	6
2.3	PR-2000 UD.....	9
3	WARNINGS	11

1 BACKGROUND

Dynatech equipment is assembled according to customer specifications, so handling is not necessary. If the shoe needs to be replaced, Dynatech offers customers this manual for the proper conduct of this work. However, under no circumstances will Dynatech be held responsible for any error or deterioration in the equipment following handling by non-Dynatech personnel, even if they follow the manual instructions.

- Dynatech or your nearest dealer must be contacted for the replacement shoes, according to the necessary guide rail width.
- The following details must be provided:
 - o Safety gear model
 - o New guide rail width (to select replacement shoe)
 - o Series number

2 SHOE REPLACEMENT ACCORDING TO SAFETY GEAR MODEL

2.1 SERIES ASG-XXX UD/ ASG-XXX

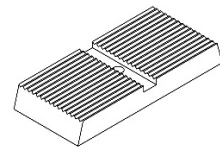
There are three safety gear types of this model, depending on the thickness of the shoe assembled. The safety gear types refer to the guide rail centre position in relation to the frame attachment holes, which are in accordance with the measurement recommended in the safety gear (DYN.32) usage and maintenance instructions. Thus, the gap between the shoe and guide rail established by Dynatech is observed.

TYPE	A	B	C
THICKNESS (mm)	7-8-9-10	11-12-13	14-15-16

The steps for replacing the shoe to change the thickness are as follows:

1. The following must be available:

- Replacement shoe: with the new guide rail thickness.



- Stickers with the new guide rail thickness.



- Block fasteners of the type corresponding to the new shoe thickness, their type is identified by a letter marked on it.



2. Removing the sticker from the safety gear:

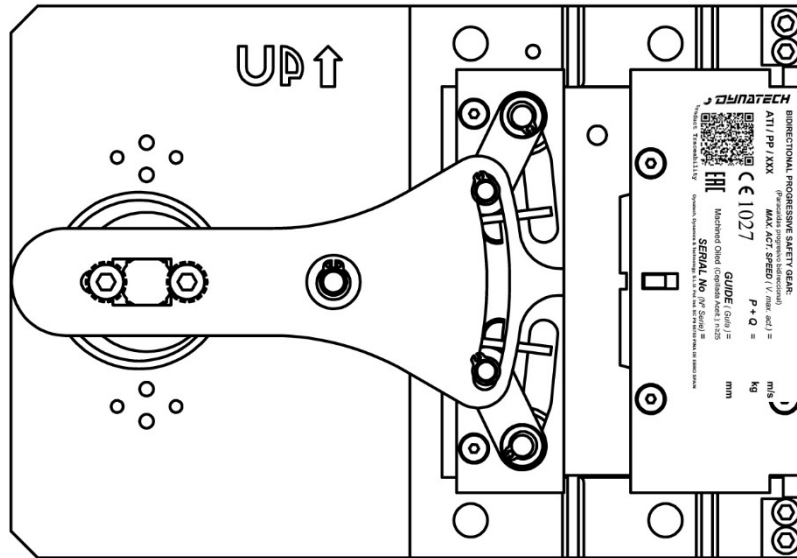


Figure1 Safety gear ASG UD/ ASG

3. Unscrewing the DIN 7991 M5 screws from the protective cover, according to Figure2

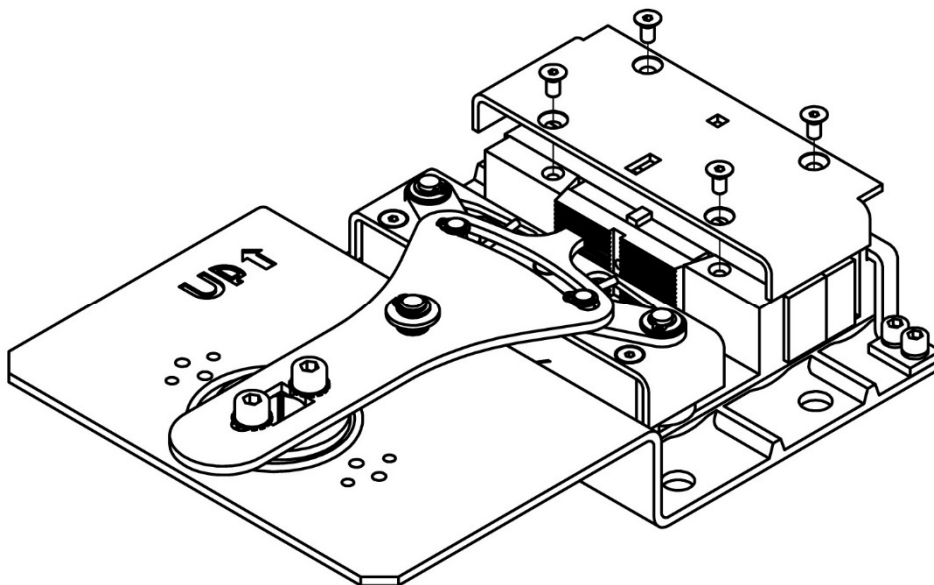


Figure2 Unscrewing the screws from the protective cover

4. Extracting the shoe with the aid of a tool (e.g. chisel), if necessary, being careful not to damage the block.

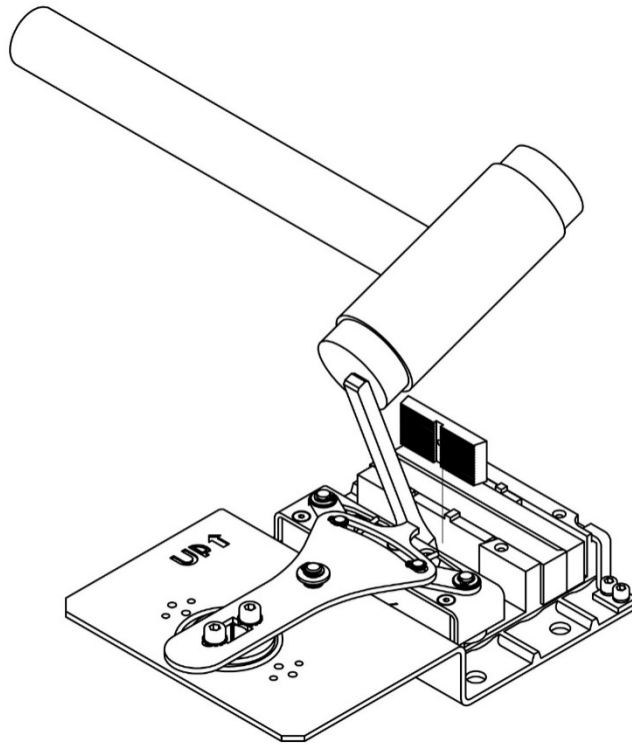


Figure3 Removing the shoe

5. Insert the new shoe; followed by the shim, which can be hit with a mallet to make it fit, if necessary.

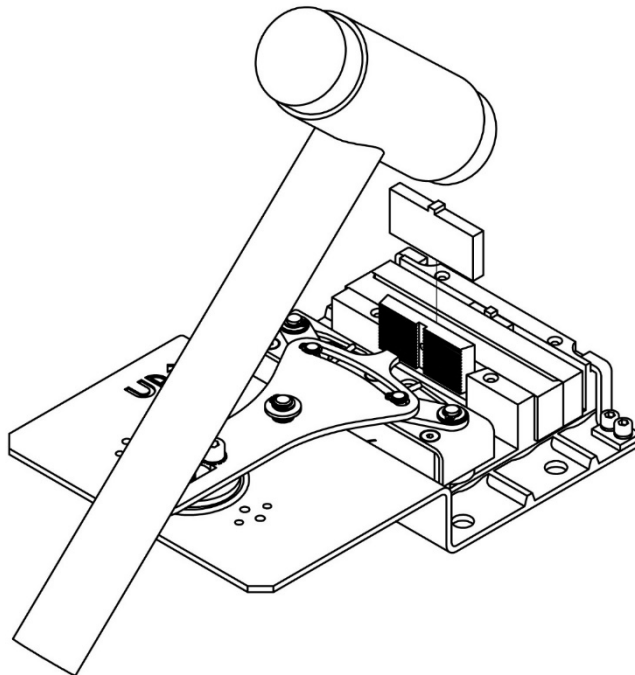


Figure4 Inserting the replacement shoe

6. Replace the protective cover and screws.

7. If the safety gear type has to be changed with the shoe, the fastener block must also be replaced for the corresponding type, which is marked with a letter identifying it. There are two symmetrical parts that are inserted as shown in Figure5. One part should be replaced first, followed by the other, so as not to leave the block loose. This part is to adjust the distance between the shoe and the guide rail centre. If they are not replaced, the distance between the guide rail centre and frame attachments will not correspond to those in the safety gear (DYN 32) usage and maintenance instructions.

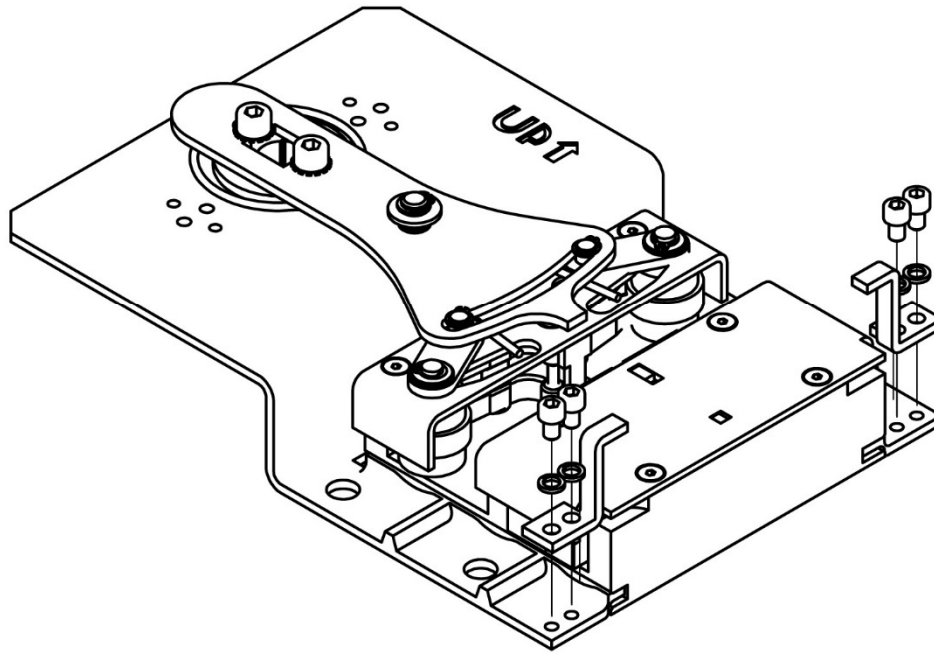


Figure5 Replacing the attachment block part and symmetrical block attachment

8. Place the identification sticker on the upper part, as shown in Figure1.
9. Explanatory video link (registered customers only):

<http://customers.dynatech-elevation.com/download.php?file=imagenes/documentos/doc-00595.mp4>

2.2 PR-2500 UD/ PQ-3400 UD/ PQ-4000 UD

There are two types of PR-2500 UD V50/ PQ-3400 UD/ PQ-4000 UD safety gear depending on the thickness of the shoe assembled. The safety gear types refer to the guide rail centre position in relation to the frame attachment holes, which are in accordance with the measurement recommended in the safety gear usage and maintenance instructions. Thus, the gap between the shoe and guide rail established by Dynatech is observed.

TYPE	A	B
THICKNESS (mm)	7-8-9-10	11-12-13-14-15-16

The safety gear model PR-2500 UD V35 has 3 types depending on the thickness of the shoe assembled.

TYPE	A	B	C
THICKNESS (mm)	7-8-9-10	11-12-13	14-15-16

The steps for replacing the shoe to change the thickness are as follows:

1. The following must be available:

- Replacement shoe: with the new guide rail thickness.



- Stickers with the new guide rail thickness.



2. Removing the sticker from the safety gear:

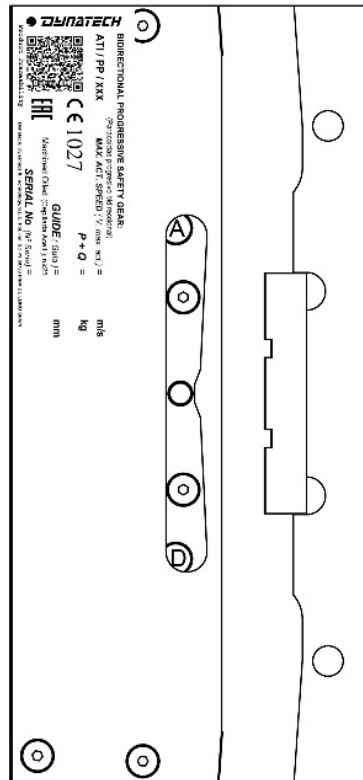


Figure6 Safety gear PR-2500 UD V50/ PQ-3400 UD

3. Unscrew the DIN 912 M6 screws from the shoe according to Figure7.
4. Replace the shoe for one of the appropriate thickness.
5. Replace the screws, according to the assembled shoe thickness.
- 6.

Shoe thickness	Screw type
7-8-9-10-11	M6x25 DIN 912 8.8
12-13-14	M6x22 DIN 912 8.8
15-15,88-16	M6x20 DIN 912 8.8



For these safety gear models, adapting the shoe thickness to the guide rail centre is done via the block. If the shoe replacement is not the same type, they will not fit together. The hole measurements to the guide rail centres that appear in the usage and maintenance instructions will not be valid for this replacement. These measurements may vary by several millimetres, depending on the shoes.

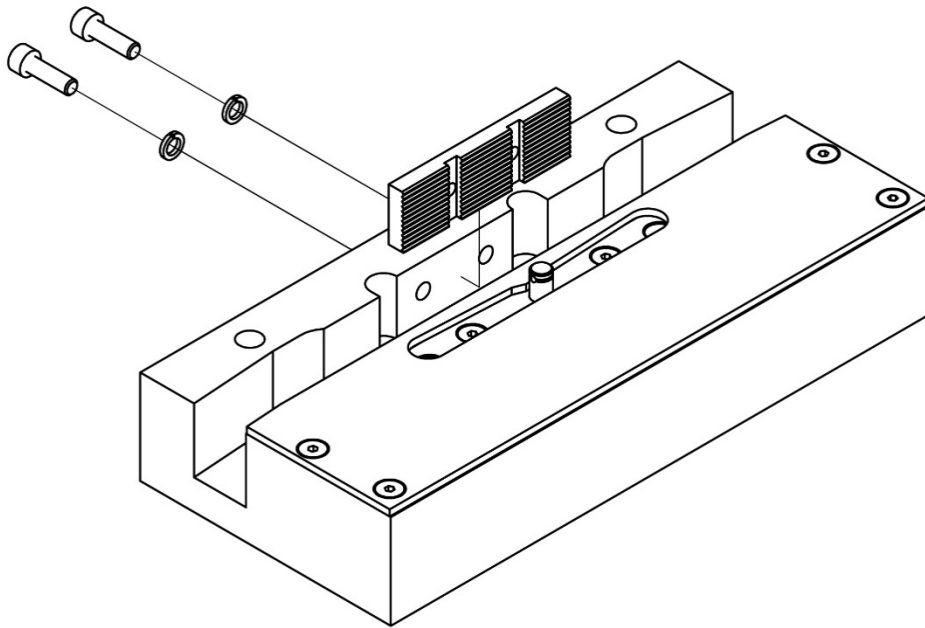


Figure7 Removing the shoe

7. Explanatory video link (registered customers only):

<http://customers.dynatech-elevation.com/download.php?file=imagenes/documentos/doc-00597.mp4>

2.3 PR-2000 UD

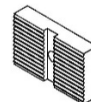
There are two PR-2000 UD safety gear types, depending on the thickness of the shoe assembled. The safety gear types refer to the guide rail centre position in relation to the frame attachment holes, which are in accordance with the measurement recommended in the safety gear usage and maintenance instructions. Thus, the gap between the shoe and guide rail established by Dynatech is observed.

TYPE	A	B
THICKNESS (mm)	5-6-7-8-9-10	11-12-13-14-15-16

The steps for replacing the shoe to change the thickness are as follows:

1. The following must be available:

- Replacement shoe: with the new guide rail thickness.



- Stickers with the new guide rail thickness.



2. Removing the sticker from the safety gear

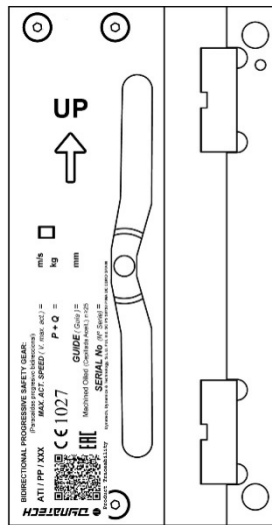


Figure8 Safety gear PR-2000 UD V50

3. Unscrew the DIN 912 M6 screws from the shoe according to Figure9Figure7.
4. Replace the shoe for one of the appropriate thickness.
5. Replace the screws.
6. Use the appropriate screw size thickness according to the assembled shoe thickness:

Shoe thickness	Screw type
5	M6x25 DIN 912 8.8
6-7	M6x22 DIN 912 8.8
8-9	M6x20 DIN 912 8.8
10-11-12-13	M6x16 DIN 912 8.8
14-15	M6x14 DIN 912 8.8
16	M6x12 DIN 912 8.8



For these safety gear models, adapting the shoe thickness to the guide rail centre is done via the block. If the shoe replacement is not the same type, they will not fit together. The hole measurements to the guide rail centres that appear in the usage and maintenance instructions

will not be valid for this replacement. These measurements may vary by several millimetres, depending on the shoes.

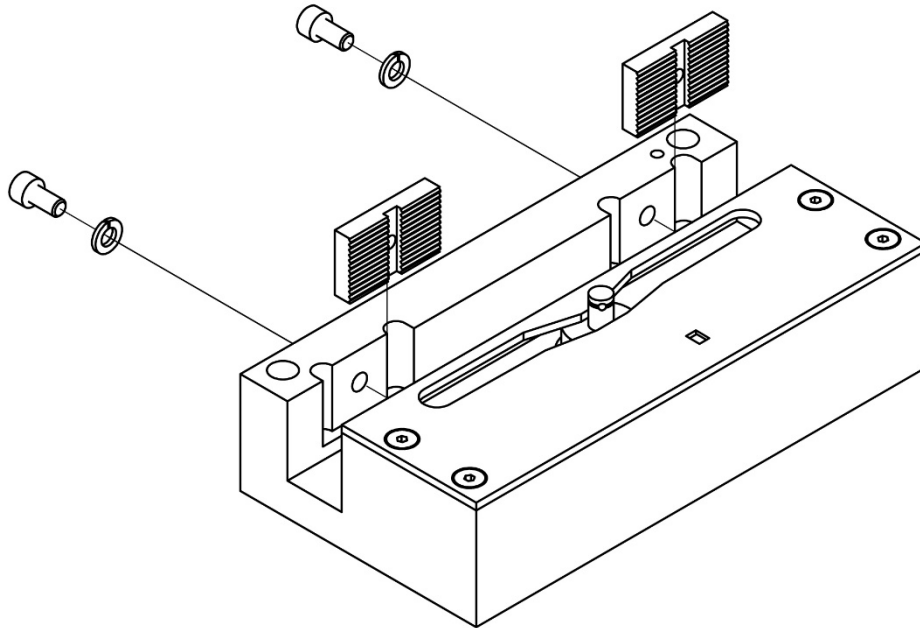


Figure9 Removing the shoe

7. Explanatory video link (registered customers only):

<http://customers.dynatech-elevation.com/download.php?file=imagenes/documentos/doc-00596.mp4>

3 WARNINGS

- ✓ If the safety gear is manipulated, Dynatech will no longer be responsible for this change.
- ✓ Whenever a shoe is replaced, it should be done on both sides of the safety gear, right and left.
- ✓ When replacing the component, avoid excessively dirty environments that may cause dirt or dust to enter between the parts.