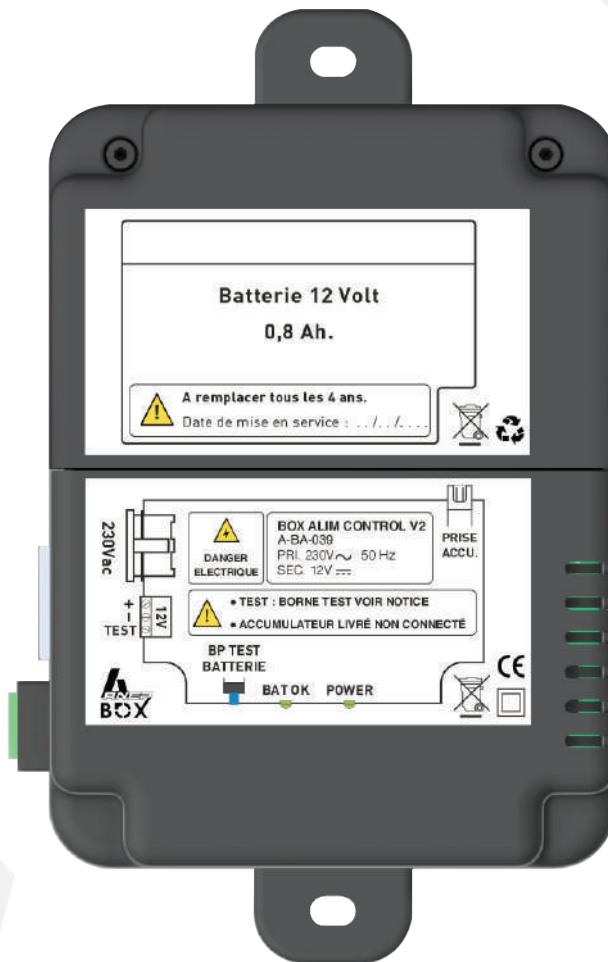




ALIM CONTROL II BOX

Back up and controlled
power supply for ANEP BOX



RECOMMENDATIONS

This documentation is intended for professionals trained and experienced in the elevator industry.

As a result, when working on an elevator to install **ANEP** equipment, the safety rules specific to the profession must be respected.

- Use of «Personal Protective Equipment».
- **Record** the installation before making any electrical connections.
- **Be safe before intervening in shaft.**
- etc.

Before any handling of the **ANEP** equipment, make sure that you have previously **SWITCHED OFF** the devices.

On all «**ANEP BOX**» equipment (TA, TA+, TX, TX+, ...), it is essential to connect all the devices **BEFORE** connecting the telephone line.



CONNECTION SHOULD BE DONE WITH ALL DEVICES SWITCHED OFF



Electrical equipment must be mandatory recycled according to the Directive n ° 2012/19 / UE of July 4th 2012 relative to Waste Electrical and Electronic Equipment (WEEE).

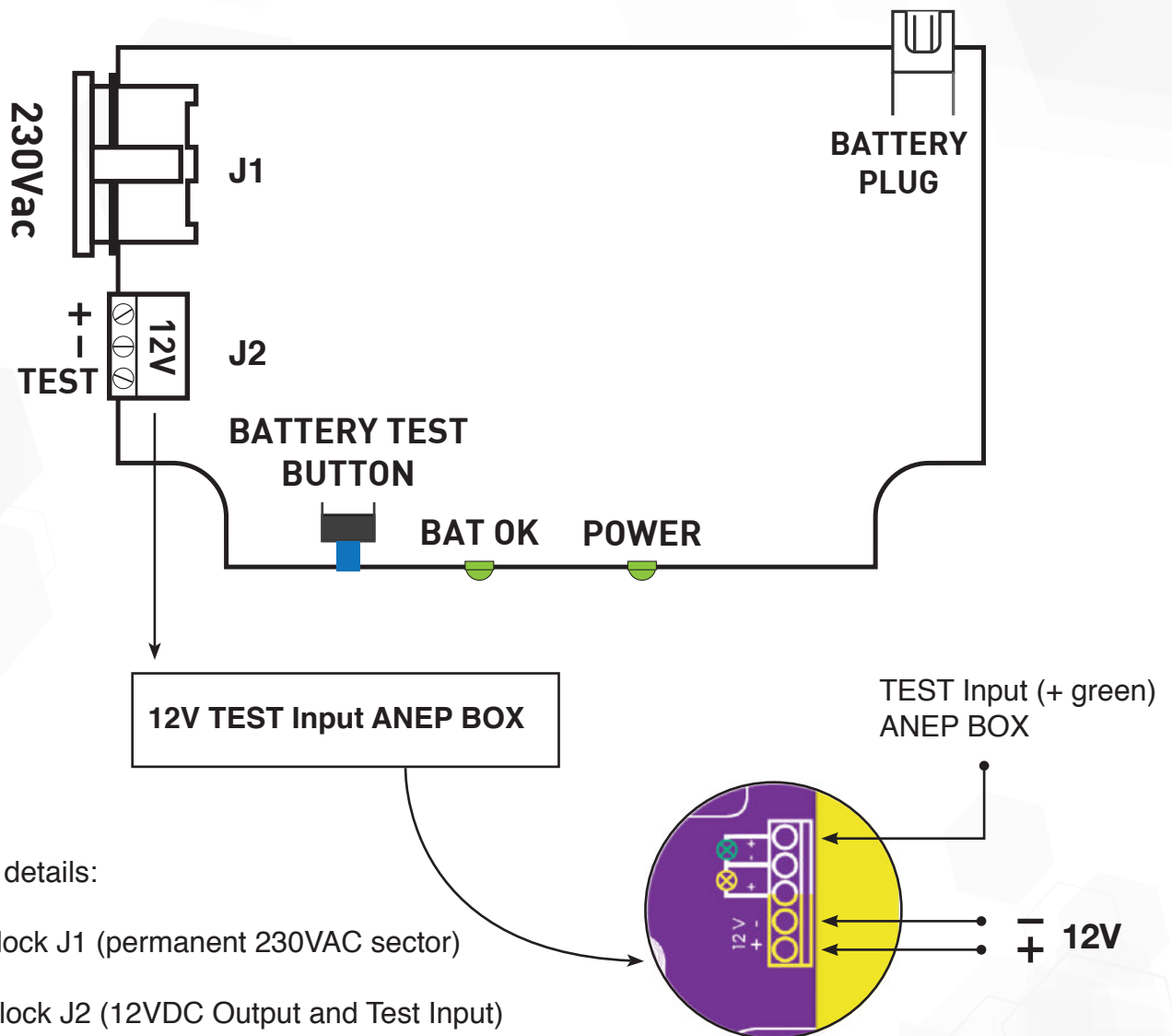
OVERVIEW

The ALIM CONTROL II BOX is designed to work with the ANEP BOX product line. In the event of mains failure (230V), it allows to maintain optimal power supply for the products of the ANEP BOX range as well as the peripherals associated with them.

Autonomy: 2 hours

It is equipped with a battery Pb 12V / 800mAh.

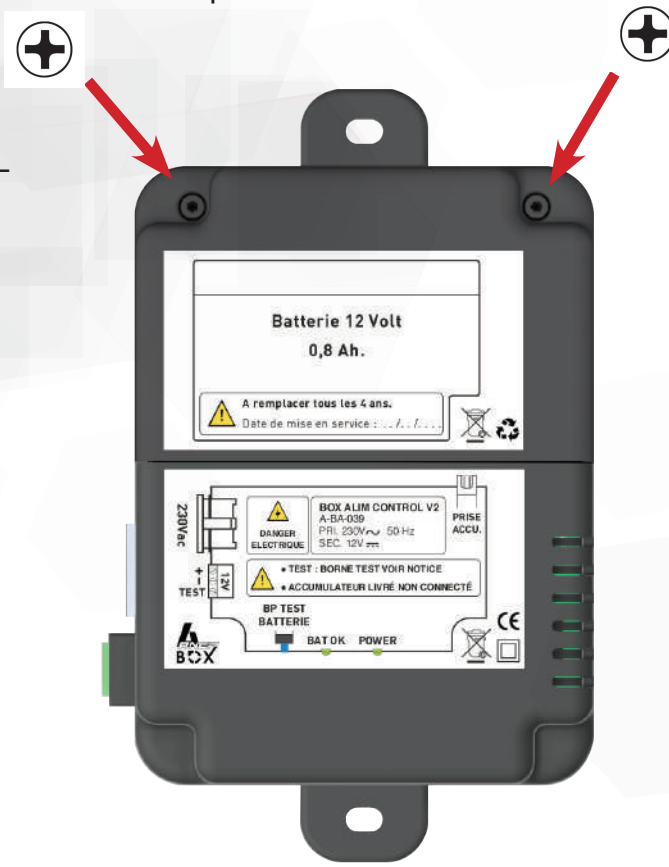
Caution: The 12V battery is delivered loaded but not connected.



1 - BATTERY CONNECTION

Remove the two black screws on the top of the hood.

Open the ALIM CONTROL II BOX (battery side) to connect the battery.



Lift the hood and slide it.



Connect the battery.

2 - AUTOMATIC BATTERY TEST

The «TEST» input terminal of the **ALIM CONTROL II BOX** is controlled by the **ANEP BOX** (Depending on the software version of the box).

It allows:

- The **ANEP BOX** to check the type of power supply connected to it:
- **ALIM CONTROL BOX** or **ALIM CONTROL II BOX** or **OTHER**
- The **ANEP BOX** to know the state of the battery of **ALIM CONTROL II BOX**

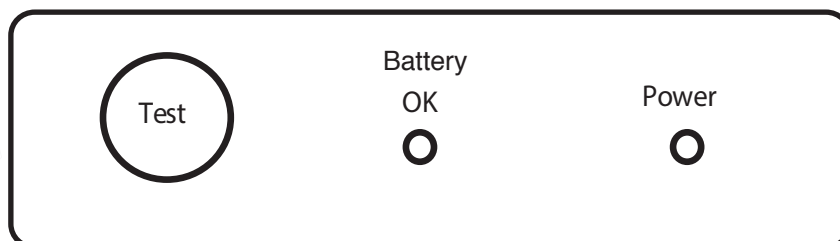


IMPORTANT

When replacing the battery, it is essential to keep the same characteristics as the original one. Do not dispose of used battery on public roads or in a container not provided for this purpose. Do not incinerate, there is a blast hazard. Dispose of the used battery in accordance with the recycling instructions.

3 - MANUAL BATTERY TEST (for the technician)

The «BATTERY TEST» button allows the technician to test the charge capacity of the battery (according to EN 81-28 2018).



On the test button «**BATTERY TEST BUTTON**» the green LED «**BAT OK**» flashes (control phase from 5 to 15s), at the end of this period, if the green LED «**BAT OK**» remains on, the battery is operational to deliver a minimum autonomy of 1 hour.

On the opposite, if the LED remains off, the battery must be replaced.

NOTE: This sequence is identical when it is controlled by the **ANEP BOX (TA / TA + / TX / TX +)**.
(Test lead connected to the «+» terminal of the green LED of the **ANEP BOX**)

4 - PRESENCE 230V

The green «**POWER**» light on indicates the presence of a power supply, off, it indicates the absence of power supply 230V.



LE SERVICE APRÈS VENTE EST ASSURÉ PAR

SAVTEL

4 bis rue de Paris 94470 Boissy-Saint-Léger

Tel : 01 45 98 34 44

Fax : 01 45 69 75 45

www.anepastore.com