



British Standard:

BS EN 50085-1:2005
BS EN 50085-2-1:2006
VDE Testing and Certification Institute
Test Certificate No. 40040200*

Material Specification:

British Standard: BS EN 10346:2015.

Finish:

Pre Galvanised

Ordering Information:

• Please refer to the following pages or alternatively visit our website below:

<http://www.trenchltd.com>

Product Information: Standard

- All accessories are screwfix
- Combi head screws to suit crosshead or flathead screwdriver
- Connector screws are serrated on the underside of the head to improve earth continuity
- Connector plates are fitted with captive nuts
- Gusseted as standard

Product Information: Tamperproof

- Screws M5x8 T25 Resistorx
- Connector plates are fitted with captive nuts
- Gusseted as standard

Packing Detail:

- 1 x accessory c/w fitted lid
- 4 x connector plates
- All necessary connector screws

Other Options Available:

- Non Gusset
- Powder Coated
- IP4X
- Alternative Width/Height/Material Thickness

* See Technical Data Sheet / Cable Trunking / Pre Galvanised / Lengths / Test Results for Test Data

Cable Trunking / Pre Galvanised / Accessories / 90° Internal Cover Bend / Ordering Information / Page 2 of 3

Standard Equal Compartment

Use the codes in the table on page 3 suffixed with **-2EC** for 2 equal compartment or **-3EC** for 3 equal compartment. For example if you require a 2 equal compartment 90° internal cover bend to suit trunking 100mm wide x 50mm high the correct code would be **SA4290I-2EC** and for 3 equal compartment the code would be **SA4290I-3EC**.

Standard Unequal Compartment

Use the codes in the table on page 3 suffixed with **-2UEC-xx/xx** for 2 unequal compartment or **-3UEC-xx/xx/xx** for 3 unequal compartment. For example if you require a 90° internal cover bend to suit trunking 100mm wide x 50mm high with 2 unequal compartments split 75mm/25mm the correct code would be **SA4290I-2UEC-75/25** and for 3 unequal compartments split 25mm/50mm/25mm the code would be **SA4290I-3UEC-25/50/25**.

Please note we require a minimum of 25mm width per compartment.

Tamperproof Accessories

Use the ordering information in the table on page 3 alongside the ordering information above and suffix the code with **-SEC**. For example if you require a 2 equal compartment 90° internal cover bend to suit 100mm wide x 50mm high tamperproof trunking the correct code would be **SA4290I-2EC-SEC** and for 3 equal compartment the code would be **SA4290I-3EC-SEC**.

Non Gusset Accessories

Use the ordering information in the table on page 3 alongside the ordering information above and suffix the code with **-NG**. For example if you require a 2 equal compartment 90° internal cover bend to suit 100mm wide x 50mm high tamperproof trunking the correct code would be **SA4290I-2EC-SEC-NG** and for 3 equal compartment the code would be **SA4290I-3EC-SEC-NG**.

Powder Coated

Please ensure that when requesting a quotation for powder coated products that you have the correct quantities, RAL number and finish (i.e. matt or gloss) in order for us to quote accordingly.

Please note product codes for powder coated items are Non-Standard, however, dimensions & weights on page 3 are still applicable.

IP4X

To achieve IP4X add to each join 1 x Outer U Piece & 1 x Lid Fix Bar - please follow the link below for ordering instructions.

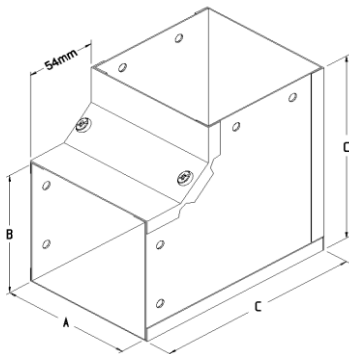
<http://www.trenchltd.com/cable-trunking/ip4x-accessories/>

Cable Trunking / Pre Galvanised / Accessories / 90° Internal Cover Bend / Dimensions & Weights /
Page 3 of 3

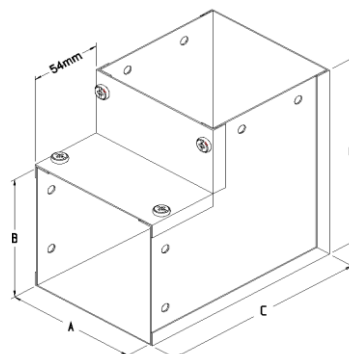
Product Code Standard	Dim A (mm) To Suit Width	Dim B (mm) To Suit Height	Dim C (mm)	Dim D (mm)	Single Comp Weight (kg)	Twin Comp Weight (kg)	Three Comp Weight (kg)
SA2290I	50	50	106	N/A	0.36	0.43	X
SA3290I	75	50	106	N/A	0.42	0.49	0.56
SA4290I	100	50	106	N/A	0.47	0.54	0.61
SA6290I	150	50	106	N/A	0.58	0.65	0.72
SA8290I	200	50	106	N/A	0.81	0.89	0.96
SA9290I	225	50	106	N/A	0.88	0.95	1.03
SA12290I	300	50	106	N/A	1.09	1.16	1.23
SA3390I	75	75	131	N/A	0.57	0.68	0.80
SA4390I	100	75	131	N/A	0.63	0.74	0.86
SA6390I	150	75	131	N/A	0.75	0.87	0.98
SA8390I	200	75	131	N/A	1.03	1.15	1.26
SA9390I	225	75	131	N/A	1.11	1.22	1.34
SA12390I	300	75	131	N/A	1.35	1.46	1.58
SA4490I	100	100	156	N/A	0.83	1.00	1.17
SA6490I	150	100	156	N/A	0.97	1.14	1.31
SA8490I	200	100	156	N/A	1.29	1.46	1.63
SA9490I	225	100	156	N/A	1.38	1.55	1.72
SA12490I	300	100	156	N/A	1.65	1.82	1.99
SA6690I	150	150	206	N/A	1.42	1.72	2.02
SA8690I	200	150	206	N/A	1.81	2.12	2.42
SA9690I	225	150	206	N/A	1.93	2.23	2.53
SA12690I	300	150	206	N/A	2.27	2.57	2.87
SA8890I	200	200	256	N/A	2.67	3.14	3.61
SA9990I	225	225	281	N/A	3.19	3.76	4.33
SA12990I	300	225	281	N/A	3.63	4.20	4.77
SA121290I	300	300	356	N/A	5.17	6.08	7.00

All dimensions are identical for single & compartmented accessories. Approximate weights shown are a nominal value due to material thickness and tolerance and includes body, lid, fixings and separator (s) where applicable. See Page 2 for Equal/Unequal/Tamperproof/IP4X/Non Gusset & Powder Coating Information.

X Denotes not available



Standard



Non Gusset