



Industrie Service

EC type-examination certificate

Certificate no.:	AGB 064/5
Notified body:	TÜV SÜD Industrie Service GmbH Zertifizierungsstelle für Aufzüge und Sicherheitsbauteile Westendstraße 199, 80686 München - Germany
Applicant/ Certificate holder:	P.F.B. s.r.l. Via Raimondo Dalla Costa, 690 41100 Modena - Italy
Date of submission:	2006-05-09
Manufacturer:	P.F.B. s.r.l. Via Raimondo Dalla Costa, 690 41100 Modena - Italy
Product, type:	Overspeed governor, type R5
Test Laboratory:	TÜV SÜD Industrie Service GmbH Prüfbereich Aufzüge und Sicherheitsbauteile Westendstrasse 199, 80686 München - Germany
Date and number of test report:	2006-05-19 064/5
EC-directive:	95 / 16 / EG
Statement:	The safety component conforms to the directives safety requirements for the respective scope of application stated on page 1 of the Annex to this EC type-examination certificate.
Certificate date:	2006-05-19

Zertifizierungsstelle für Aufzüge und Sicherheitsbauteile
EC identification number: 0036


 Dieter Roas





Industria Service

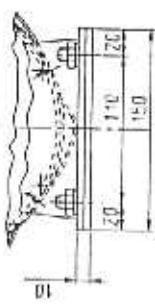
Annex of EC type-examination certificate no. AGB 064/5

1. Scope of application

- | | | |
|-------|--|--------------------------------------|
| 1.1 | Permissible tripping speed | 0,24 – 1,78 m/s |
| 1.2 | Permissible rated speed | \leq 1,55 m/s |
| 2.3 | Driving rope | |
| 1.3.1 | Category | Round strand rope made of steel wire |
| 1.3.2 | Diameter | 6 – 6,5 mm |
| 1.4 | Minimum tension force (force produced by the tensioning weight, acting on the axis of rope diverting pulley) | |
| 2.3.A | Tension force determined in the test (new rope and groove) | 222 N |
| 2.3.B | Tension force determined by calculation (coefficient of friction $\mu = 0,09$) | 706 N |
| 1.5 | Tensile force at minimum tension force | 550 N |

2. Remarks

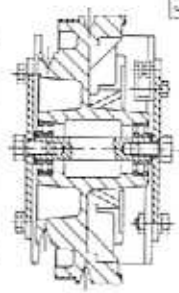
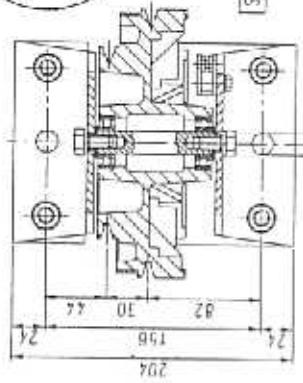
- 2.1 The adjusted tripping speed, the safety switch and the weight of the operating lever must be sealed against unauthorised adjustment (safety switch and weight of the operating lever for example by colour sealing of the fastening bolts. Safety switch only if switching off is required prior to achieving the tripping speed)
- 2.2 The direction of rotation for retracting the safety gear is to be marked at the overspeed governor.
- 2.3 Design with and without preliminary switch off intended.
- 2.4 Remote tripping device permissible
- 2.5 Remote resetting device of the safety switch permissible
- 2.6 In order to provide identification and information about the basic design and its functioning and to show the environmental conditions and connection requirements pertaining to the tested and approved type, and to differentiate it from others, drawing No. 96/5001 index number 1 dated November 2001 is to be enclosed with EC type-examination certificate and the annex thereto.
- 2.7 The EC type - examination certificate may only used in connection with the pertinent annex.



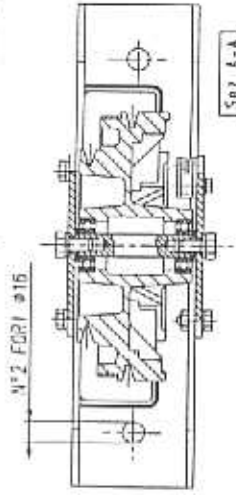
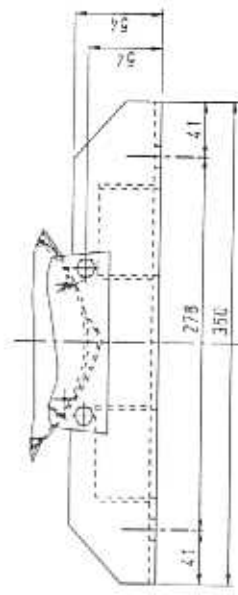
10. DEZ. 2001

VERSIONE STANDARD
STANDARD VERSION
(R. 5/DX - R. 5/SX)

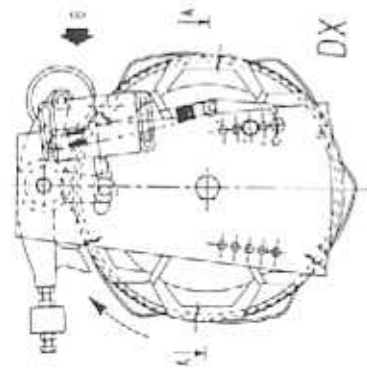
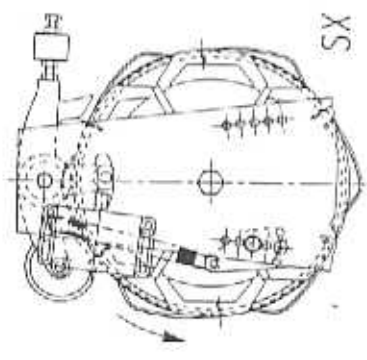
- GEPRÜFT -
TUV Süddeutschland Bau- und Betriebs-Gesellschaft
Technische Abteilung und Sachverständigen
Werkstatt, 115, Dölling-Münster
Der-Saunderschmied



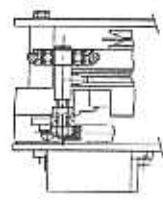
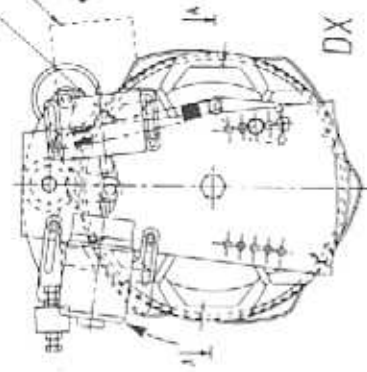
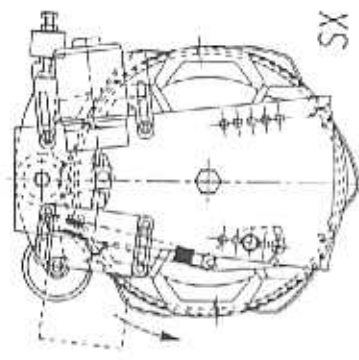
VERSIONE 'R' INGOMBRO RIDOTTO
VERSION 'R' WITH SMALL BASE
(R. 5/RDX - R. 5/RSX)



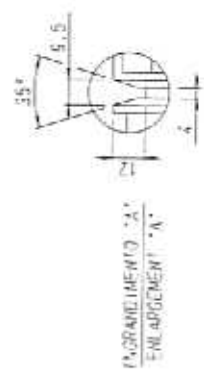
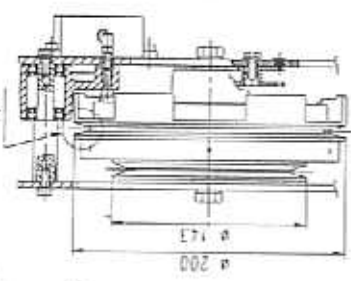
VERSIONE 'SP'
CON BASAMENTO SALVAFUNE
VERSION 'SP' WITH BASE
PROTECTION OF ROPE
(R. 5/SPDX - R. 5/SPSX)



DIVERSE VERSIONI
DIFFERENT VERSIONS



VISTA DA 'B'
COMANDO AUTOMATICO
AUTOMATIC RESET SWITCH
COMANDO PULSANTE A DISTANZA
REMOTE RESET SWITCH



MODIFICHE - MODIFIKATIONEN

NR.	DATA	DESCRIZIONE
1	11/01	MODIFICATO SALTARELLO E AGGIUNTA VERSIONE CON COMANDO A DISTANZA

LAUDR. GEN.	MATERIALE	NOTE
QUALITÀ*	STATO-N°-MOD.	
DIRET.	DIR.	
PESO KG.	T. I.	
DIS.	VER.	DATA
DIST. N°	CORPL. N°	10/98
COMPONENTI MECCANICI PER ASCENSORI		