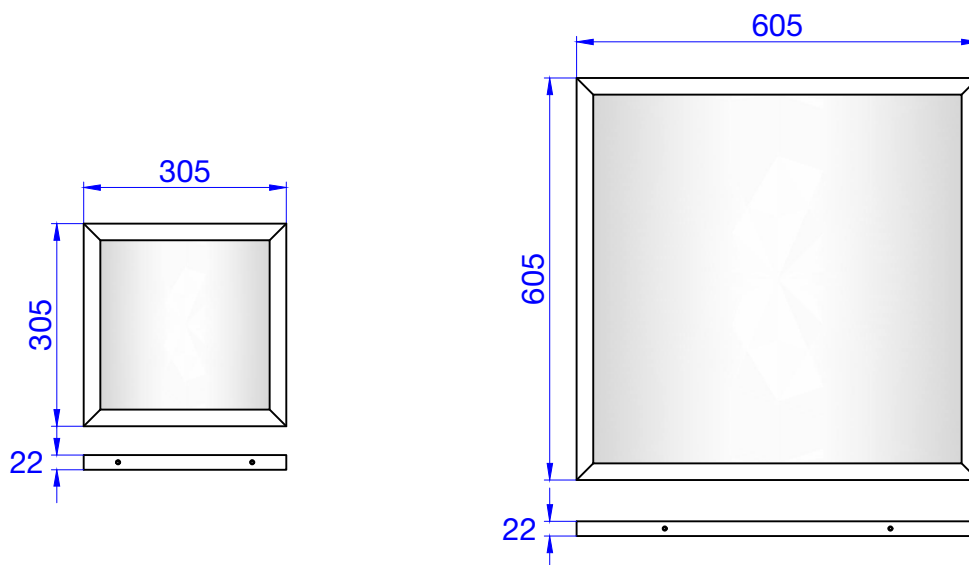
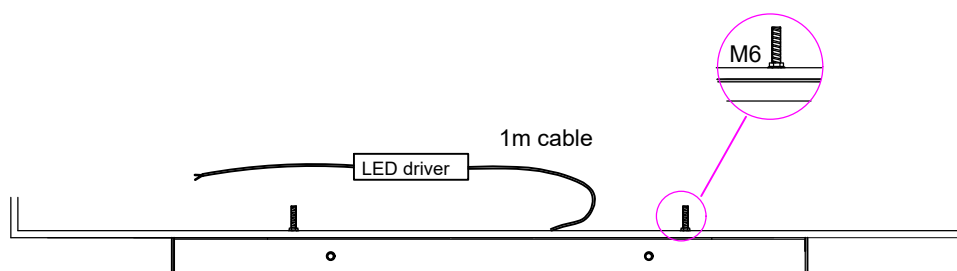


Dimensions



Installation



Technical features

	07.D0303.ENSVR	07.D0606.ENSVR
Glass protection	Laminated glass type 3.2	Laminated glass type 3.2
Frame material	Aluminium	Aluminium
Screw type	Torx security screws	Torx security screws
Impact resistance	IK08	IK08
Flame resistance	850°C	850°C
Norm	EN81-70	EN81-70
Input voltage	24VDC	24VDC
Operating voltage	220VAC	220VAC
Power	9.5W	36W
CCT	3000 to 4000K	3000 to 4000K
Lumen	720 to 900lm	2000 to 3000lm
Lifetime	30,000H	30,000H
Weight (frame and panel)	3.5kg	11kg

Doc. Nr.	07.Dxxxx.ENSVR	Date	28.AUG.2019
Control	E71080F-DJ		