



LED PANEL (CCT) - 04.LP3.xxxx.CCT

USER MANUAL

WECO

VERSION UM.LP3.xxxx.CCT.EN



INSTALLATION STEPS

1. Place the M6x60mm bolts through the fixing holes on the bracket.
2. Place the brackets on the rear of the panel and position as required.
3. Fix the brackets using the M3.5x8 screws.
4. Drill ceiling holes to suit the positions of the bolts on the brackets.
5. Fix the panel in place using the M6 nuts.
6. Connect the driver to the panel and secure the cable safely.
7. Check that both the panel and cable are fixed securely in place.
8. Power-on the panel.
9. Turn on the panel using the remote control and adjust the colour temperature and brightness.
10. When the panel is turned off, the previous colour and brightness settings will be saved.



1. 'ON': Turn on the panel.
2. 'OFF': Turn off the panel.
3. 'BRIGHT+': Press once for +10% brightness.
4. 'BRIGHT-': Press once for -10% brightness.
5. 'COLOUR TEMP+': Press once for +10% the colour temperature (K).
6. 'COLOUR TEMP-': Press once for -10% the colour temperature (K).

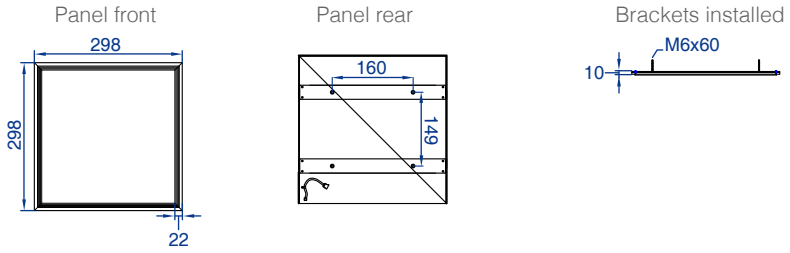
NOTE: 10m remote range

TECHNICAL FEATURES

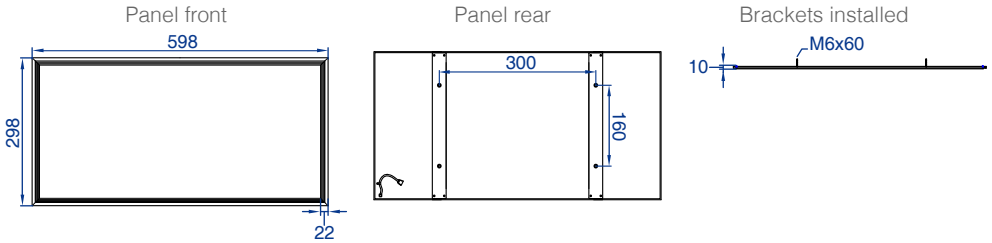
MODEL	SIZE	POWER	LUMENS	COLOUR TEMPERATURE
04.LP3.3030.CCT	298x298x10mm	10W	700 - 850lm	Adjustable: - Warm white - Neutral white - Cold white From 3000K to 6000K
04.LP3.3060.CCT	298x598x10mm	20W	1400 - 1700lm	
04.LP3.6060.CCT	598x598x10mm	36W	2800 - 3300lm	
04.LP3.3012.CCT	298x1198x10mm	36W	2500 - 3000lm	

LED PANEL DIMENSIONS

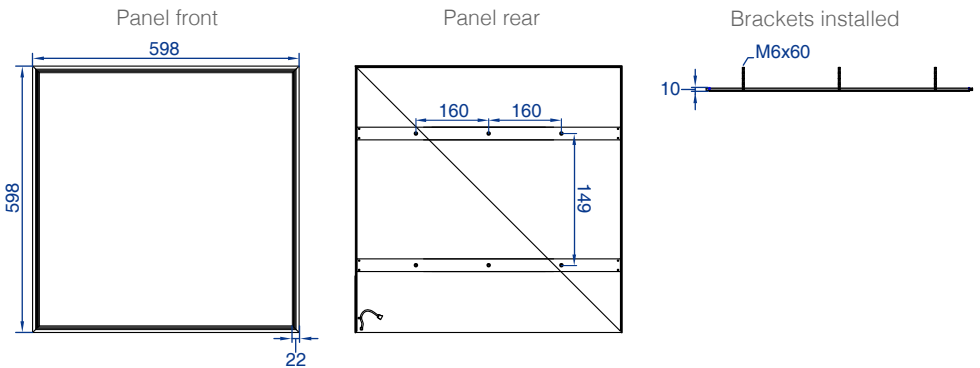
04.LP3.3030.CCT



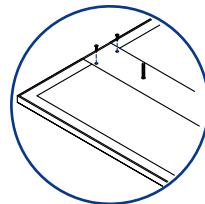
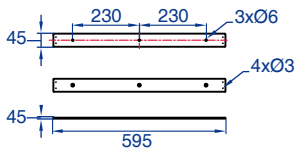
04.LP3.3060.CCT



04.LP3.6060.CCT

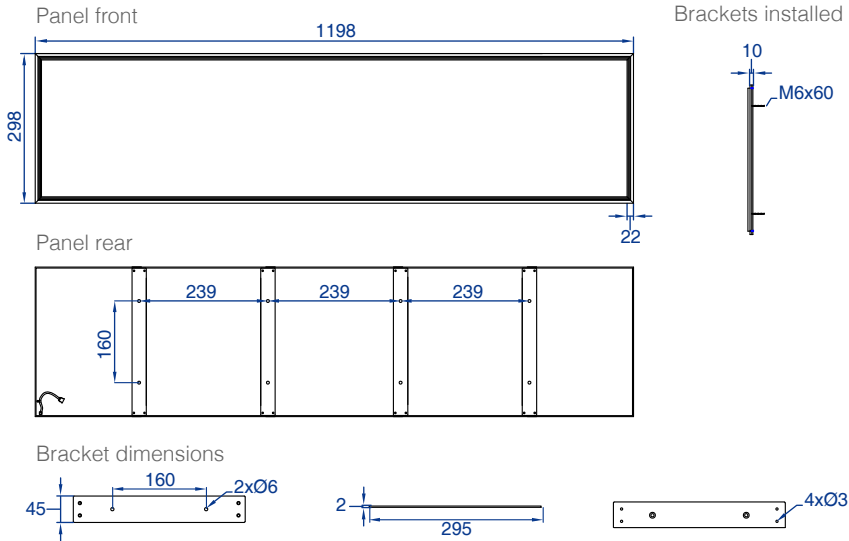


BRACKET DIMENSIONS AND INSTALLATION



LED PANEL DIMENSIONS

04.LP3.3012.CCT



PACKING LIST

04.LP3.3030.CCT

PARTS	SPECIFICATION	QTY
LED panel	298x298x10mm	1x
LED driver	10W	1x
Fixing bracket	295x45x2mm	2x
Nuts and bolts	M6x60	4x
Screws	M3.5X8	8x
Remote control	85x40mm	1x

04.LP3.3060.CCT

PARTS	SPECIFICATION	QTY
LED panel	298x598x10mm	1x
LED driver	20W	1x
Fixing bracket	295x45x2mm	2x
Nuts and bolts	M6x60	4x
Screws	M3.5X8	8x
Remote control	85x40mm	1x

04.LP3.6060.CCT

PARTS	SPECIFICATION	QTY
LED panel	598x598x10mm	1x
LED driver	36W	1x
Fixing bracket	595x45x2mm	2x
Nuts and bolts	M6x60	6x
Screws	M3.5X8	8x
Remote control	85x40mm	1x

04.LP3.3012.CCT

PARTS	SPECIFICATION	QTY
LED panel	298x1198x10mm	1x
LED driver	36W	1x
Fixing bracket	295x45x2mm	4x
Nuts and bolts	M6x60	8x
Screws	M3.5X8	16x
Remote control	85x40mm	1x



- Input voltage is 100-240VAC.
- Installation and maintenance should be performed by qualified personnel only.
- Switch off mains power before installation and maintenance. Before the unit is powered on, please make sure that there is no current leakage.
- Under no circumstances should the panel be covered by any type of thermal insulation materials.