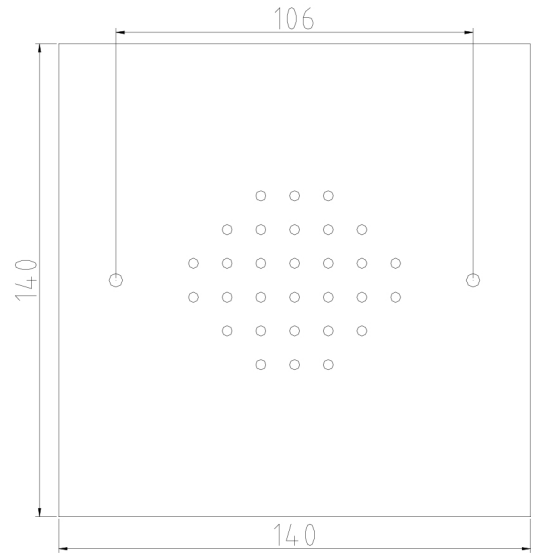
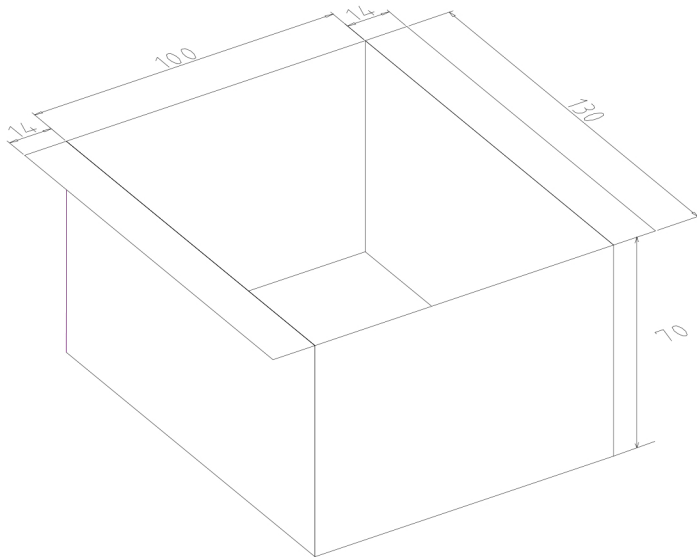


## Speech Unit Loudspeaker Faceplate & Backbox



**Description** Stainless steel faceplate, with a matrix of holes for use with our speech unit loudspeaker, and an enamelled (light beige colour) mild steel backbox

**Specification** **Faceplate** 304 grade stainless steel, 320 grit finish (BS1449 No.5), 2.5mm thick,  
Two tamper resistant fixings (concealed hexagonal cap head screws)

**Backbox** Mild steel stove enamelled backbox, with two flanges (not drilled)