



COMPONENTI MECCANICI  
PER ASCENSORI

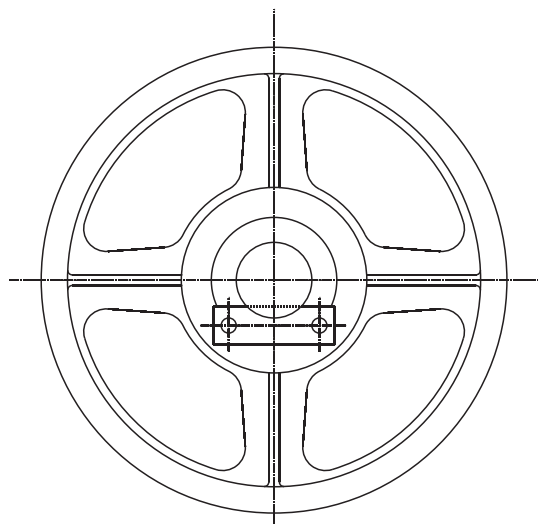
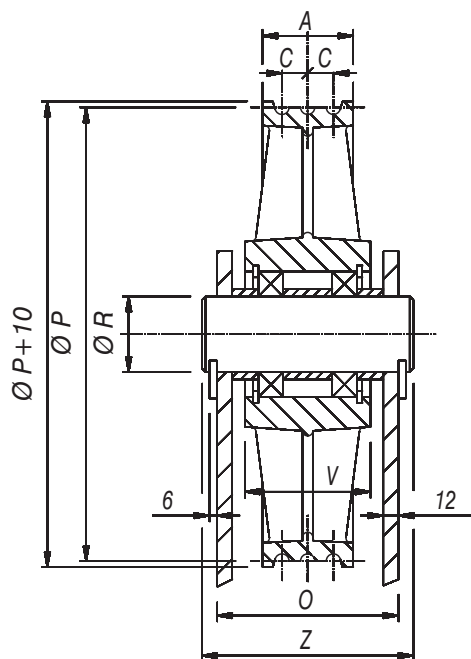
MECHANICAL LIFT  
COMPONENTS

PULEGGE DI RINVIO PORTANTI MONTATE SU  
CUSCINETTI COMPLETE DI ALBERI SFILABILI PER PIASTRE

DIVERTOR PULLEYS ON BALL BEARINGS COMPLETE  
WITH DISMOUNTABLE AXLES FOR KEEPER PLATES

# T-235-AS

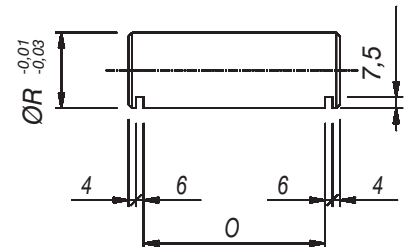
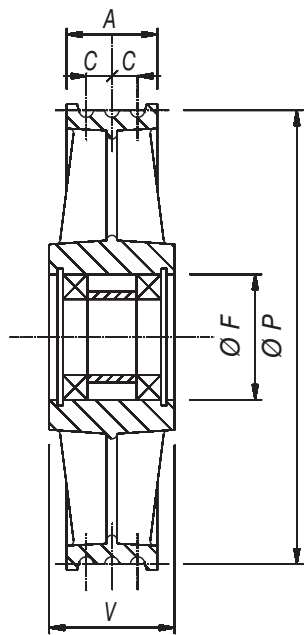
PAGE 1/2



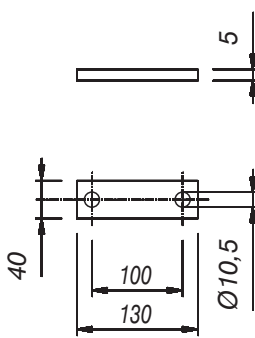
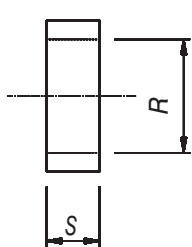
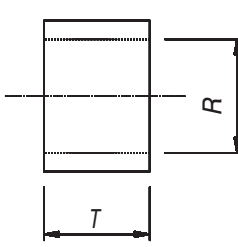
P	N° GOLE GROOVES NR	Ø FUNE ROPE Ø	A	C	V	Z	O	SEEGER	CUSCINETTI BALL BEARINGS	CARICO STATICO Kg. STATIC LOAD Kgs.	CODICE ASSIEME COMPLETE CODE
320	3	8	60	17	82	140	120	1.80	6010-2RS	1580	8023501100
	4		77		82	140	120	1.80	6010-2RS	2100	8023502100
	5		94		102	164	144	1.90	6011-2RS	2600	8023503100
	6		111		102	164	144	1.90	6011-2RS	3200	8023504100
360	3	8-9	60	17	82	140	120	1.80	6010-2RS	1580	8023505100
	4		77		82	140	120	1.80	6010-2RS	2100	8023506100
	5		94		102	164	144	1.90	6011-2RS	2600	8023507100
	6		111		102	164	144	1.90	6011-2RS	3200	8023508100
400	3	9-10	60	17	82	140	120	1.90	6210-2RS	1900	8023510100
	4		77		82	140	120	1.90	6210-2RS	2500	8023511100
	5		94		102	164	144	1.100	6211-2RS	3100	8023512100
	6		111		102	164	144	1.100	6211-2RS	3700	8023513100
450	3	9-11	60	17	82	140	120	1.90	6210-2RS	2350	8023515100
	4		77		82	140	120	1.90	6210-2RS	3100	8023516100
	5		94		102	164	144	1.100	6211-2RS	3900	8023517100
	6		111		102	164	144	1.100	6211-2RS	4700	8023518100
500	3	9-12	60	17	82	140	120	1.90	6210-2RS	2350	8023520100
	4		77		82	140	120	1.90	6210-2RS	3100	8023521100
	5		94		102	164	144	1.100	6211-2RS	3900	8023522100
	6		111		102	164	144	1.100	6211-2RS	4700	8023523100
550	3	9-11	60	17	82	140	120	1.90	6210-2RS	2350	8023525100
	4		77		82	140	120	1.90	6210-2RS	3100	8023526100
	5		94		102	164	144	1.100	6211-2RS	3900	8023527100
	6		111		102	164	144	1.100	6211-2RS	4700	8023528100
550	3	12-13	77	20	102	164	144	1.100	6211-2RS	3100	8023530100
	4		94		102	164	144	1.100	6211-2RS	4200	8023531100
	5		111		102	164	144	1.100	6211-2RS	5200	8023532100
	6		130		122	184	164	1.110	6212-2RS	6300	8023533100
600	3	9-11	60	17	82	140	120	1.90	6210-2RS	2350	8023535100
	4		77		82	140	120	1.90	6210-2RS	3100	8023536100
	5		94		102	164	144	1.100	6211-2RS	3900	8023537100
	6		111		102	164	144	1.100	6211-2RS	4700	8023538100

PULEGGE CON CUSCINETTI  
PULLEYS WITH BALL BEARINGS

ALBERI  
AXLES



P	N° GOLE GROOVES NR	Ø FUNE ROPE Ø	A	C	V	F	PESO Kg. WEIGHT Kgs.	CODICE CODE	O	R	PESO Kg. WEIGHT Kgs.	CODICE CODE
320	3	8	60	17	82	80	10	8026501000	120	50	2,1	8135501403
	4		77		82	80	11	8026502000	120	50	2,1	8135501403
	5		94		102	90	16	8026503000	144	55	3,0	8135551643
	6		111		102	90	17	8026504000	144	55	3,0	8135551643
360	3	8-9	60	17	82	80	13	8026505000	120	50	2,1	8135501403
	4		77		82	80	14	8026506000	120	50	2,1	8135501403
	5		94		102	90	19	8026507000	144	55	3,0	8135551643
	6		111		102	90	21	8026508000	144	55	3,0	8135551643
400	3	9-10	60	17	82	90	15	8026510000	120	50	2,1	8135501403
	4		77		82	90	17	8026511000	120	50	2,1	8135501403
	5		94		102	100	23	8026512000	144	55	3,0	8135551643
	6		111		102	100	26	8026513000	144	55	3,0	8135551643
450	3	9-11	60	17	82	90	17	8026515000	120	50	2,1	8135501403
	4		77		82	90	23	8026516000	120	50	2,1	8135501403
	5		94		102	100	29	8026517000	144	55	3,0	8135551643
	6		111		102	100	32	8026518000	144	55	3,0	8135551643
500	3	9-12	60	17	82	90	23	8026520000	120	50	2,1	8135501403
	4		77		82	90	28	8026521000	120	50	2,1	8135501403
	5		94		102	100	32	8026522000	144	55	3,0	8135551643
	6		111		102	100	39	8026523000	144	55	3,0	8135551643
550	3	9-11	60	17	82	90	30	8026525000	120	50	2,1	8135501403
	4		77		82	90	32	8026526000	120	50	2,1	8135501403
	5		94		102	100	38	8026527000	144	55	3,0	8135551643
	6		111		102	100	50	8026528000	144	55	3,0	8135551643
550	3	12-13	77	20	102	100	32	8026530000	144	55	3,0	8135551643
	4		94		102	100	38	8026531000	144	55	3,0	8135551643
	5		111		102	100	50	8026532000	144	55	3,0	8135551643
	6		130		122	110	48	8026533000	164	60	4,0	8135601843
600	3	9-11	60	17	82	90	35	8026535000	120	50	2,1	8135501403
	4		77		82	90	37	8026536000	120	50	2,1	8135501403
	5		94		102	100	50	8026537000	144	55	3,0	8135551643
	6		111		102	100	53	8026538000	144	55	3,0	8135551643

<u>PIASTRINI</u> <u>KEEPER PLATES</u>		<u>DISTANZIALI LATERALI</u> <u>OUTSIDE SPACERS</u>				<u>DISTANZIALI CENTRALI</u> <u>INSIDE SPACERS</u>			
 <p><u>* OPTIONAL</u></p>									
<u>PESO Kg.</u> <u>WEIGHT Kgs.</u>	<u>CODICE</u> <u>CODE</u>	<u>S</u>	<u>R</u>	<u>PESO Kg.</u> <u>WEIGHT Kgs.</u>	<u>CODICE</u> <u>CODE</u>	<u>T</u>	<u>R</u>	<u>PESO Kg.</u> <u>WEIGHT Kgs.</u>	<u>CODICE</u> <u>CODE</u>
0,2	8015000005	15	50	0,11	8010605015	34	50	0,26	8010605034
		15	50		8010605015	34	50	0,26	8010605034
		17	55		8010655517	50	55	0,33	8010655550
		17	55		8010655517	50	55	0,33	8010655550
		15	50	0,11	8010605015	34	50	0,26	8010605034
		15	50		8010605015	34	50	0,26	8010605034
		17	55		8010655517	50	55	0,33	8010655550
		17	55		8010655517	50	55	0,33	8010655550
		15	50	0,11	8010605015	26	50	0,20	8010605026
		15	50		8010605015	26	50	0,20	8010605026
		17	55		8010655517	44	55	0,29	8010655544
		17	55		8010655517	44	55	0,29	8010655544
		15	50	0,11	8010605015	26	50	0,20	8010605026
		15	50		8010605015	26	50	0,20	8010605026
		17	55		8010655517	44	55	0,29	8010655544
		17	55		8010655517	44	55	0,29	8010655544
		15	50	0,11	8010605015	26	50	0,20	8010605026
		15	50		8010605015	26	50	0,20	8010605026
		17	55		8010655517	44	55	0,29	8010655544
		17	55		8010655517	44	55	0,29	8010655544
		15	50	0,11	8010605015	26	50	0,20	8010605026
		15	50		8010605015	26	50	0,20	8010605026
		17	55		8010655517	44	55	0,29	8010655544
		17	55		8010655517	44	55	0,29	8010655544
		17	55	0,11	8010655517	44	55	0,29	8010655544
		17	55	0,11	8010655517	44	55	0,29	8010655544
		17	55	0,11	8010655517	44	55	0,29	8010655544
		18	60	0,15	8010706018	60	60	0,50	8010706060
		15	50	0,11	8010605015	26	50	0,20	8010605026
		15	50		8010605015	26	50	0,20	8010605026
		17	55		8010655517	44	55	0,29	8010655544
		17	55		8010655517	44	55	0,29	8010655544