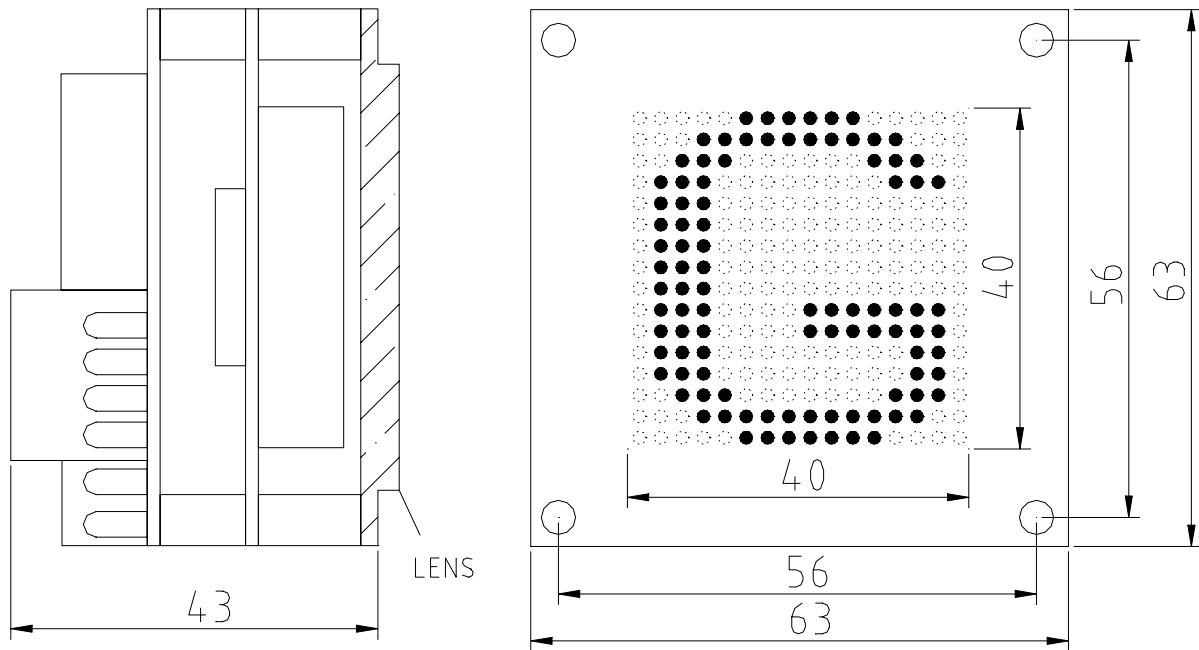


MFHU40-1



Faceplate Cut-Out: 50(h) x 50(w) mm

Fixings: 4x M3x35mm Studs

Description Single colour LED dot matrix display:16 rows, 16 columns, 40mm high, 40mm wide, 1.8mm dots

LED Colour Standard: Red or Green
Optional: Bright Amber

Standard Floor Library -1, 0 to 9 and A to Z

Standard Features Single character position
Override hall lantern arrow
Out of service symbol
Vertical scrolling (floor changes & running arrows)

Switch Selectable Features Scrolling running arrow inserted between floor roll-over changes
Hall lanterns only
Scrolling running arrow overriding position
Hall lantern floor designations
Landing or car indicator function
Electronic chime volume

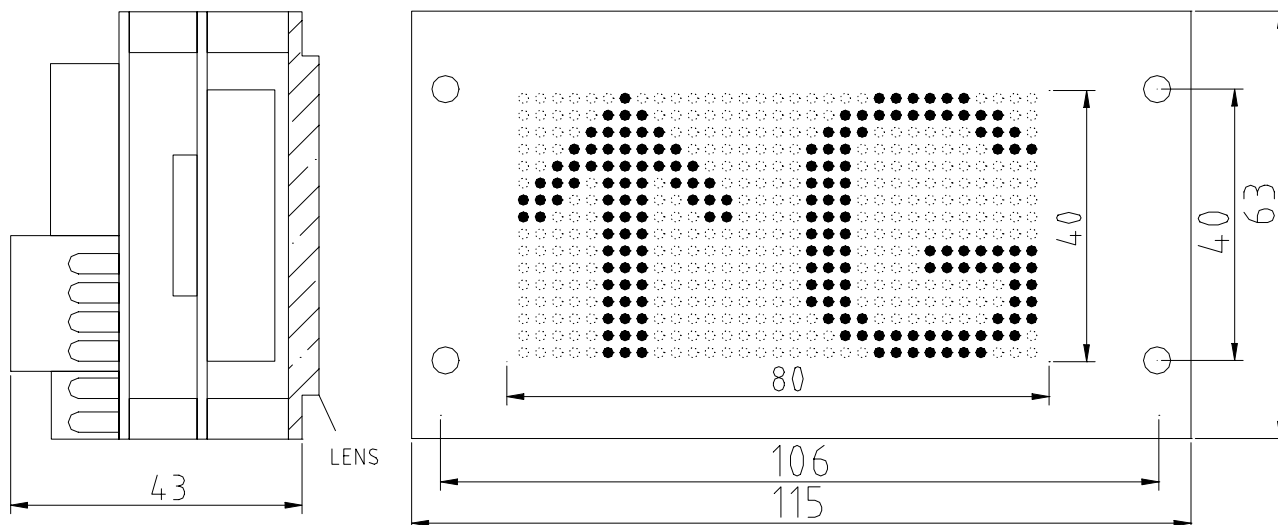
Electrical Detail Continuous power supply: 12vdc to 37vdc or 12vac to 24vac
Power supply consumption: 270mA @12vdc

General Unit supplied loose with a drilled & rebated Pacton lens (4.5mm thick, dark grey tinted) & fixing spacers

Optional Items Electronic chime
Stainless steel faceplate & mild steel backbox
Angled stainless steel surface mount enclosure

THIS UNIT CONNECTS ONTO OUR 4-WIRE NETWORK; THEREFORE, A CONTROL UNIT MUST BE ORDERED FOR EACH LIFT

MFHU40-2AH



Faceplate Cut-Out: 50(h) x 90(w) mm

Fixings: 4x M3x35mm Studs

Description Single colour LED dot matrix display: 16 rows, 32 columns, 40mm high, 80mm wide, 1.8mm dots

LED Colour Standard: Red or Green
Optional: Bright Amber

Standard Floor Library -1, 0 to 9 and A to Z

Standard Features Simultaneous single character position and running arrow
Override hall lantern arrow
Out of service symbol
Horizontal scrolling messages
Vertical scrolling (floor changes or running arrow and hall lantern arrows)

Switch Selectable Features Vertical scrolling running arrow or floor change
Hall lantern floor designations
Landing or car indicator function
Electronic chime volume

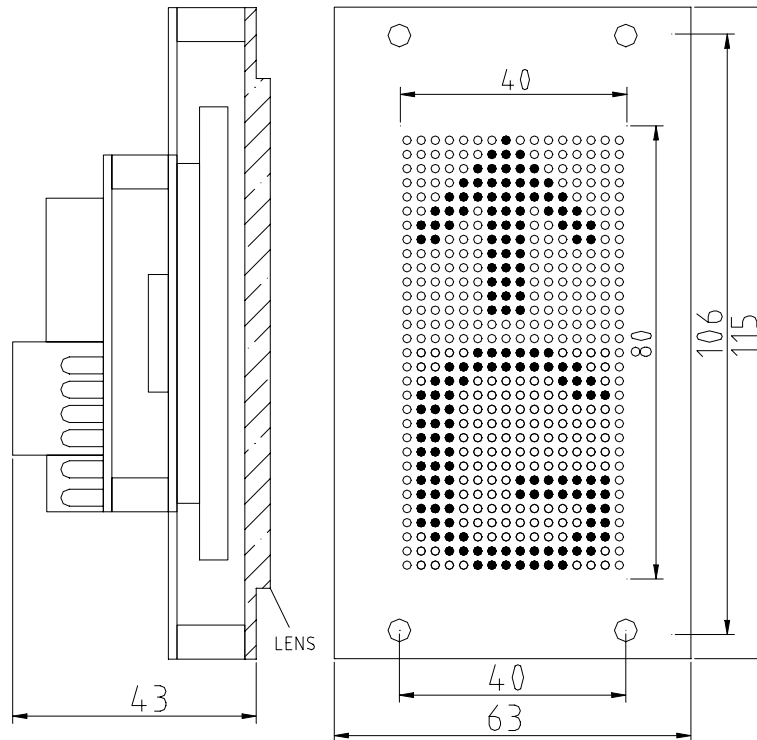
Electrical Detail Continuous power supply: 12vdc to 37vdc or 12vac to 24vac
Power supply consumption: 420mA @12vdc

General Unit supplied loose with a drilled & rebated Pacton lens (4.5mm thick, dark grey tinted) & fixing spacers

Optional Items Electronic chime
Stainless steel faceplate & mild steel backbox
Angled stainless steel surface mount enclosure

THIS UNIT CONNECTS ONTO OUR 4-WIRE NETWORK; THEREFORE, A CONTROL UNIT MUST BE ORDERED FOR EACH LIFT

MFHU40-2AV



Faceplate Cut-Out: 90(h) x 50(w) mm

Fixings: 4x M3x35mm Studs

Description Single colour LED dot matrix display:32 rows, 16 columns, 80mm high, 40mm wide, 1.8mm dots

LED Colour Standard: Red or Green
Optional: Bright Amber

Standard Floor Library -1, 0 to 9 and A to Z

Standard Features Simultaneous single character position and running arrow
Override hall lantern arrow
Out of service symbol
Horizontal scrolling messages
Vertical scrolling (floor changes or running arrow and hall lantern arrows)

Switch Selectable Features Vertical scrolling running arrow or floor change
Hall lantern floor designations
Landing or car indicator function
Electronic chime volume

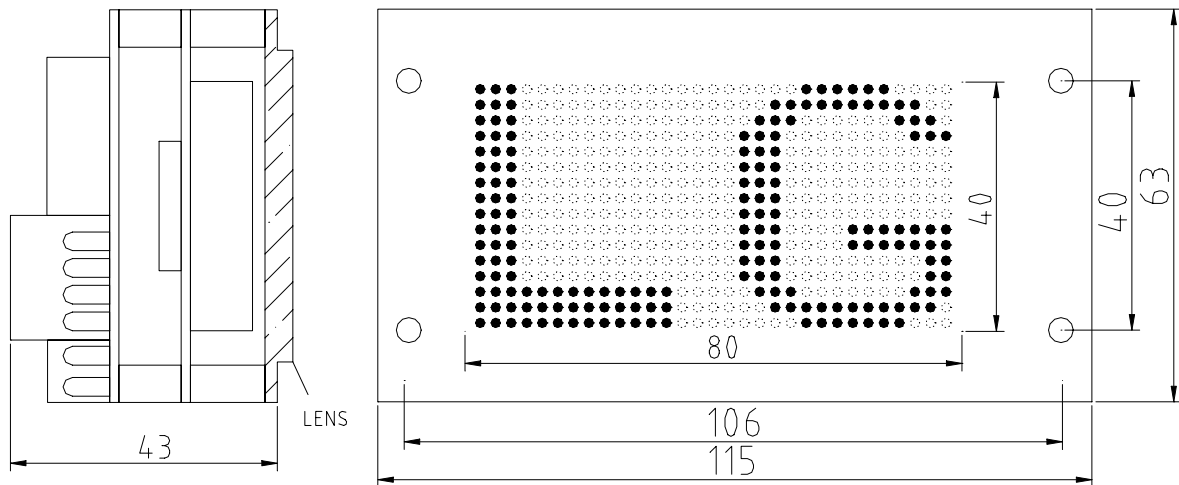
Electrical Detail Continuous power supply: 12vdc to 37vdc or 12vac to 24vac
Power supply consumption: 420mA @12vdc

General Unit supplied loose with a drilled & rebated Pacton lens (4.5mm thick, dark grey tinted) & fixing spacers

Optional Items Electronic chime
Stainless steel faceplate & mild steel backbox
Angled stainless steel surface mount enclosure

THIS UNIT CONNECTS ONTO OUR 4-WIRE NETWORK; THEREFORE, A CONTROL UNIT MUST BE ORDERED FOR EACH LIFT

MFHU40-2H



Faceplate Cut-Out: 50(h) x 90(w) mm

Fixings: 4x M3x35mm Studs

Description Single colour dot matrix LEDdisplay:16 rows, 32 columns, 40mm high, 80mm wide, 1.8mm dots

LED Colour Standard: Red or Green
Optional: Bright Amber

Standard Floor Library 0 to 31, A to Z, -1 to -8, B1 to B8
LB, UB, SB, LG, UG, LM, UM, MZ, SL, CP, GR, 04, 03, 02, 01

Standard Features Double character position
Override hall lantern arrow
Out of service symbol
Horizontal scrolling messages
Vertical scrolling (floor changes and hall lantern arrows)

Switch Selectable Features Scrolling running arrow inserted between roll-over floor changes
Hall lantern floor designations
Landing or car indicator function
Electronic chime volume

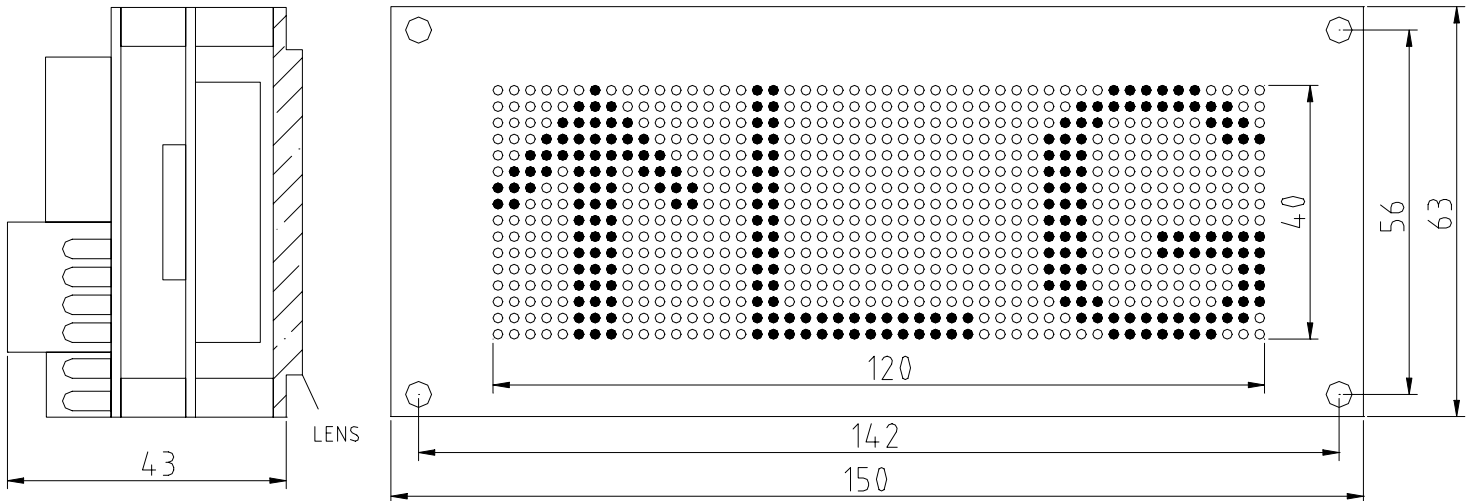
Electrical Detail Continuous power supply: 12vdc to 37vdc or 12vac to 24vac
Power supply consumption: 420mA @12vdc

General Unit supplied loose with a drilled & rebated Pacton lens (4.5mm thick, dark grey tinted) & fixing spacers

Optional Items Electronic chime
Stainless steel faceplate & mild steel backbox
Angled stainless steel surface mount enclosure

THIS UNIT CONNECTS ONTO OUR 4-WIRE NETWORK; THEREFORE, A CONTROL UNIT MUST BE ORDERED FOR EACH LIFT

MFHU40-3H



Faceplate Cut-Out: 50(h) x 128(w) mm

Fixings: 4x M3x25mm Studs

Description Single colour LED dot matrix display: three blocks, 16 rows, 48 columns, 40mm high, 120mm wide, 1.8mm dots.

LED Colour Standard: Red or Green
Optional: Amber

Standard Floor Library 0 to 31, A to Z, -1 to -8, B1 to B8
LB, UB, SB, LG, UG, LM, UM, MZ, SL, CP, GR, 04, 03, 02, 01

Standard Features Simultaneous double character position and running arrow
Override hall lantern arrow
Out of service symbol
Vertical scrolling (floor changes or running arrows and hall lantern arrows)
Horizontal scrolling messages

Switch Selectable Features Vertical scrolling running arrows or floor changes
Hall lantern floor designations
Landing or car indicator function
Electronic chime volume

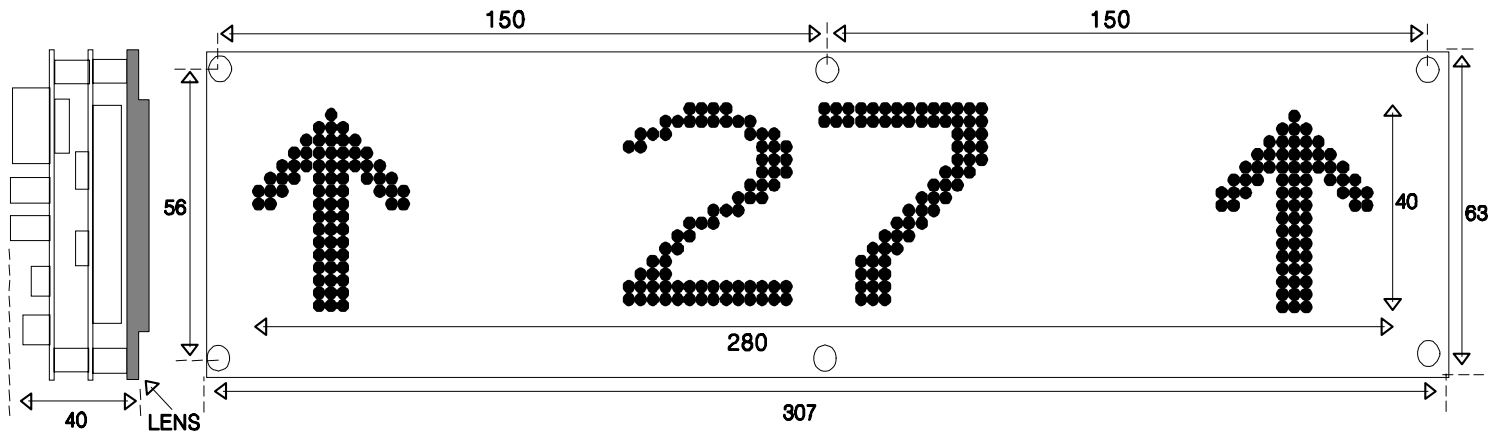
Electrical Detail Continuous power supply: 12vdc to 37vdc or 12vac to 24vac
Power supply consumption: 570mA @12vdc

General Unit supplied loose with a drilled & rebated Pacton lens (4.5mm thick, dark grey tinted) & fixing spacers

Optional Items Electronic chime
Stainless steel faceplate & mild steel backbox
Angled stainless steel surface mount enclosure

THIS UNIT CONNECTS ONTO OUR 4-WIRE NETWORK; THEREFORE, A CONTROL UNIT MUST BE ORDERED FOR EACH LIFT

MFHU40-7H



Faceplate Cut-Out: 50(h) x 290(w) mm

Fixings: 4x M3x25mm Studs

Description	Single colour LED dot matrix display: seven block, 16 rows, 112 columns, 40mm high, 280mm wide, 1.8mm dots.
LED Colour	Standard: Red or Green Optional: Bright Amber
Standard Floor Library	0 to 31, A to Z, -1 to -8, B1 to B8 LB, UB, SB, LG, UG, LM, UM, MZ, SL, CP, GR, 04, 03, 02, 01
Standard Features	Simultaneous double character position and two running arrows Override hall lantern arrow and horizontally scrolling NEXT CAR UP/DOWN Vertical scrolling (floor changes or running arrows) Horizontal scrolling messages Large (40mm) or small (17mm) font sizes Single or double lines of text
Switch Selectable Features	n/a
Electrical Detail	Continuous power supply: 12vdc to 37vdc or 12vac to 24vac Power consumption: 850mA @ 12vdc
General	Unit supplied loose with a drilled & rebated Pacton lens (4.5mm thick, dark grey tinted) & fixing spacers.
Optional Items	Electronic chime Stainless steel faceplate & mild steel backbox

THIS UNIT CONNECTS ONTO OUR 4-WIRE NETWORK; THEREFORE, A CONTROL UNIT MUST BE ORDERED FOR EACH LIFT