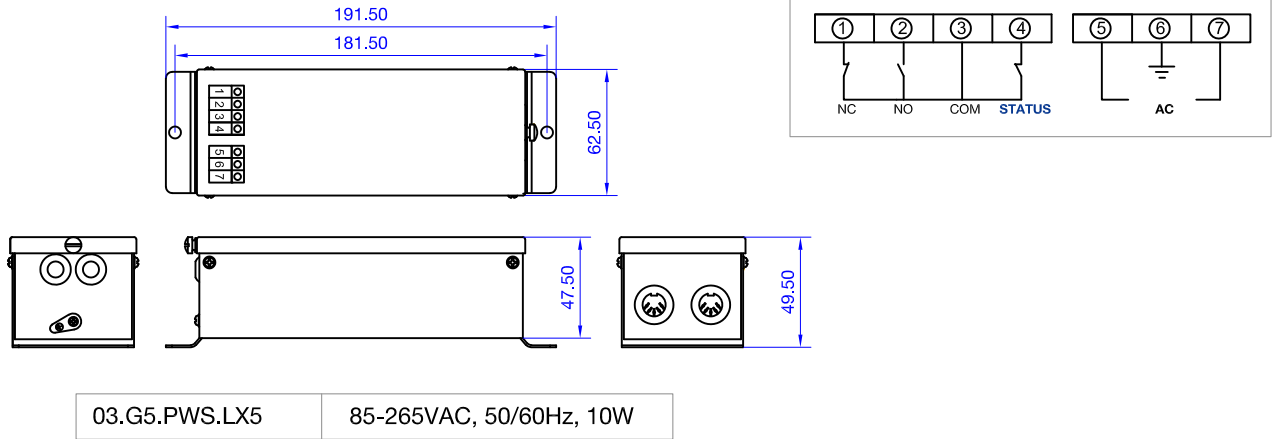
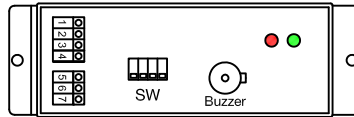


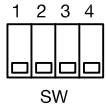
Dimensions



LED Indicators & Buzzer Settings



RED LED	●	On	Beams obstructed or system fault
RED LED	○	Off	Normal
GREEN LED	●	On	Power on
GREEN LED	○	Off	Power off



SW1	Buzzer functions	ON	Buzzer on	OFF	Buzzer off
SW2	Buzzer delay	ON	Delay 20s	OFF	Delay 30s
SW3	Buzzer active	ON	Infinite	OFF	60s
SW4	Buzzer setting	ON	Intermittent	OFF	Constant

EN 81-20: 2014 Section 5.3.6.2.2.1 b) 1) and 2)

The STATUS output has been added to the power supply to provide a separate confirmation that the door detector system is functioning correctly. It is a NC "NC1" (failsafe) output. Some interpretations of the standard require this output. The majority do not.

NC (1 & 3) or NO (2 & 3)	Beams are interrupted	
	Wiring defective	
STATUS NC1 (3 & 4) 'optional output'	NC	PWS power on 'OK'
	NC	Microprocessor 'OK'
	NO	System fault

The NC1 "STATUS" output is an optional extra connection to satisfy those interpretations of the standard that require a separate door detector system feedback.

When connected it functions in parallel with the NC/NO outputs; therefore, a double positive output is required to indicate the door detector beams are all working and that the system STATUS is "OK".

If the NC1 is not connected the power supply and door detector will function normally.

Doc. Nr.	03.G5.PWS.LX5	Date	10.OCT.2023
Control	E319711F-DJ		