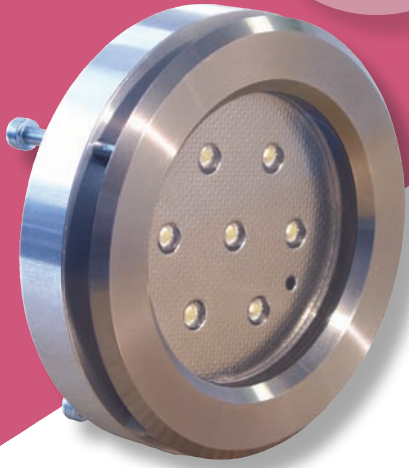
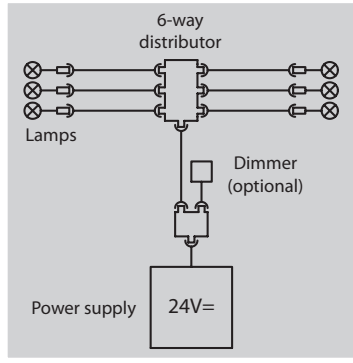


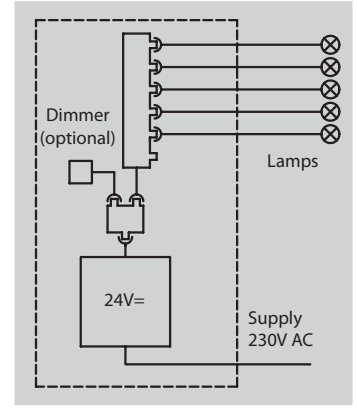
Vandal protection category 2 (highest protection level!)



Cabin lighting CabinLED7-vandal proof, for sheet metal ceilings 1mm - 8mm



Wiring example CabinLED7 with max. 6 lamps and dimmer



Wiring example CabinLED7 with max. 6 lamps, dimmer and power supply with housing IP65

Technical data

Switching power supply standard:

Input: 100-240V AC 50Hz/60Hz
2m supply line H05VV-F 2x0.75mm²

Output: 24VDC / 2.0A 50W
24VDC / 2.5A 60W
1.5m outgoing line with T-piece
3m connecting cable
LIYY 3x0.34mm² with 6-way distributor

Lamps per supply unit: max. 4 pcs. (power supply 50W)
max. 6 pcs. (power supply 60W)

Efficiency: > 88%

Protection type power supply: IP20

Technical data switching power supply with emergency supply see page 90.

Lamp Cabin-LED7-vandal proof:

Operating current: 350mA
Power per lamp: 7x1W
Luminous flux + brightness: 700lm for light colour white (w)
Protection type: IP65
Protection class: III
Housing: Stainless steel on visible cabin,
Aluminium on built-in side

Glass: 6mm Tempered safety glass (ESG)
Mounting depth: 50mm
Housing diameter: 84.5mm (built-in side)
99mm (outside)

Cable on lamp: 5m 3x0.34mm²

Power supply IP65:

Input: 100-240V AC 50Hz/60Hz
2m supply line H05VV-F 2x0.75mm²

Output: 24VDC / 2.5A 60W
1.5m outgoing line with T-piece
3m connecting cable
LIYY 3x0.34mm² with 6-way distributor
max. 6 pcs. (power supply 60W)

Lamps per supply unit: max. 6 pcs. (power supply 60W)
Protection type: IP65 L:255 x W:180 x H:90mm

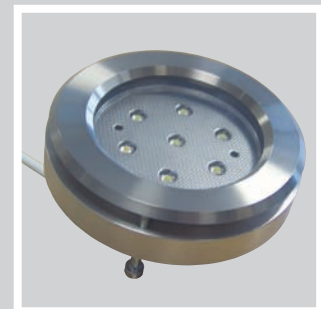
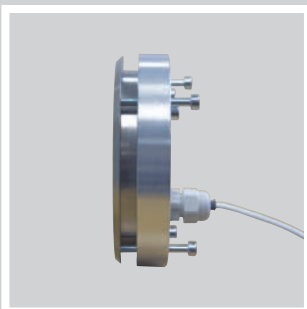
Planning advice for the vandal protection

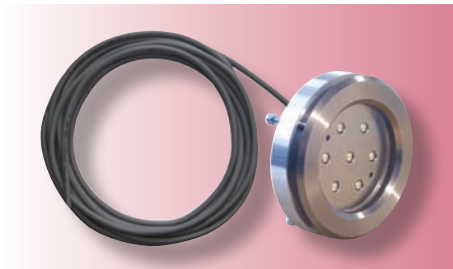
The lamp is conform with the EN81-71: 2007
Safety rules for the construction and installation of lifts -
Particular applications to passenger lifts and goods passenger lifts -Part 71:
Protective measures against intentional destruction.
The technical requirements according to EN81-71: 2007
5.4.4 Car lighting and Annex B (impact test) and Annex F
(flammability test) are entirely fulfilled.
The CabinLED-LED7-vandal proof lamp corresponds to the vandal
protection category 2 (highest protection level).

Required ceiling cutout

CabinLED7-vandal proof: 85mm – 87mm

Mounting in case of ceiling cutouts of 85mm-87mm





CabinLED7-vandal proof IP65

Art.no.	Description
20413	CabinLED7-EB-vandal-3pol

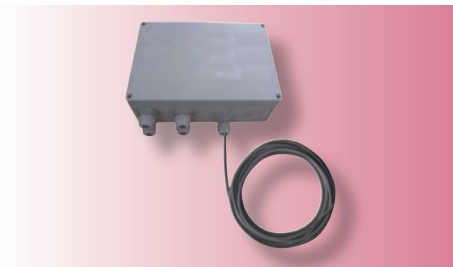
1x LED-lamp, vandal proof, IP65
connection line 5m LIYY 3x0.34mm² with plug



Switching power supply 24V

Art.no.	Description
20442	CabinLED-PS-24V-60W-3pol-NF

1x power supply 230VAC/24VDC, 2.5A 60W
1x supply line with line filter 2m H05VV-F 2x0.75mm²
1x outgoing line 1.5m with T-piece
1x connecting line 3m LIYY 3x0.34mm² with 6-way distributor



Switching power supply 24V IP65

Art.no.	Description
20420	CabinLED-PS-24V-60W-3pol-IP65

1x Control box, dimensions: L:255 x W:180 x H:90mm IP65
equipped and pre-wired with:
- power supply 230VAC/24VDC with 2m supply line H05VV-F 2x0.75mm²
- internal 6-way distributor for max. 6 CabinLED7 lamps



Switching power supply 24V IP20 with emergency supply

Art.no.	Description
20421	CabinLED-NSG-24V-60W-3pol

1x emergency power supply IP20 equipped and pre-wired with:
- power supply 230VAC/24VDC with 2m supply line H05VV-F 2x0.75mm²
- emergency supply with capacity monitoring acc. EN81-28
- 2x battery 12V/1.2Ah
- 1x outgoing line 3m LIYY 3x0.34mm² with 6-way distributor
- 1x outgoing line 3m LIYY 3x0.34mm² with connector

Accessories

Dimmer

Art.no.	Description
20416	CabinLED-Dimmer-3pol

1x Dimmer with 1m connecting line

Replacement parts

Replacement-glass + O-Ring for CabinLED-LED7 vandal proof

Art.no.	Description
20051	CabinLED7-vandal Glass + O-Ring

Replacement bottom part for CabinLED-LED7 vandal proof

Art.no.	Description
20052	CabinLED7-vandal-bottom part