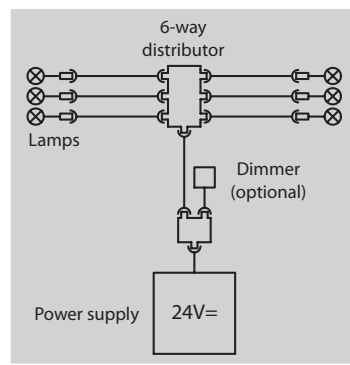




Cabin lighting CabinLED5 built-in variant, for sheet metal ceilings



Wiring example CabinLED5 with max. 6 lamps and dimmer

Technical data

Switching power supply standard:

Input: 100-240V AC 50Hz/60Hz
 2m supply line H05VV-F 2x0.75mm²
 Output: 24VDC / 2.0A 50W
 1.5m outgoing line with T-piece
 3m connecting cable
 LIYY 3x0.34mm² with 6-way distributor
 max. 10 pcs. (power supply 50W)
 Efficiency: > 88%
 Protection type power supply: IP20

Technical data switching power supply with emergency supply see page 90.

Lamp Cabin-LED5-built-in variant:

Operating current: 260mA
 Power per lamp: 5x1W
 Luminous flux + brightness: 500lm for light colour white (w)
 380lm for light colour natural-white (nw)
 Protection type: IP20
 Protection class: III
 Housing: Aluminium nickel-plated
 Mounting depth: 36mm
 Housing diameter: 65mm (built-in side)
 80mm (outside)
 Cable on lamp: 17cm, pluggable

Required ceiling cutout

CabinLED5-built-in variant: 66mm – 70mm
 with extension ring: 70mm – 84mm

Functional description and accessories

At most 6 lamps can be plugged into a sixfold distributor. The dimmer is plugged into the T-piece or into a free output of the sixfold distributor.

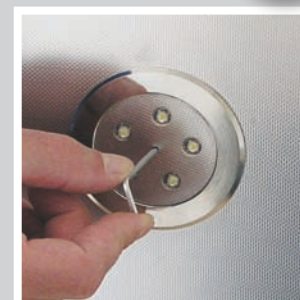
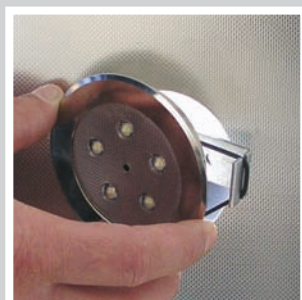
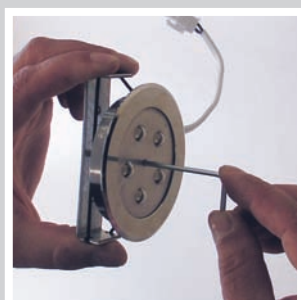
Cabin-floor space	Ceiling-height	Light colour	Number CabinLED5
up to 1.0m ²	up to 2.2m	white	2
up to 1.5m ²	up to 2.2m	white	4
up to 2.0m ²	up to 2.2m	white	6
for every additional square metre	up to 2.2m	white	2
up to 1.0m ²	up to 2.2m	natural-white	2
up to 1.5m ²	up to 2.2m	natural-white	4
up to 2.0m ²	up to 2.2m	natural-white	6
for every additional square metre	up to 2.2m	natural-white	2

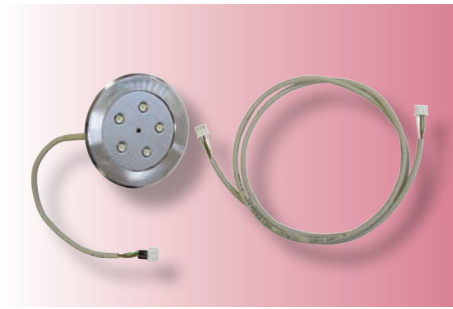
The preceding table data are based on measurements in different stainless steel lift cabins. The prescription of 50lux on the cabin floor made by EN81 was clearly exceeded in all measurements. All indications are without engagement.

Mounting at ceiling cutouts with extension ring



Example: Mounting in ceiling cutouts of 66-70mm





Basic package CabinLED5-EB-3pol

Art.no.	Description
20406	CabinLED5-EB-3pol-w
20407	CabinLED5-EB-3pol-nw

1x LED-lamp with 17cm connecting cable
 1x connecting line 1m LIYY 3x0.34mm² to 6-way distributor



Switching power supply 24V

Art.no.	Description
20441	CabinLED-PS-24V-50W-3pol-NF

1x power supply 230VAC/24VDC, 2A 50W
 1x supply line with line filter 2m H05VV-F 2x0.75mm²
 1x outgoing line 1.5m with T-piece
 1x connecting line 1m LIYY 3x0.34mm² with 6-way distributor



Switching power supply 24V IP20 with emergency supply

Art.no.	Description
20421	CabinLED-NSG-24V-60W-3pol

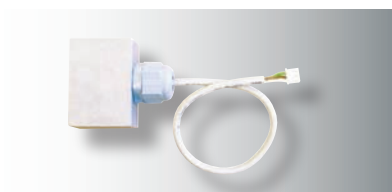
1x emergency power supply IP20 equipped and pre-wired with:
 - power supply 230VAC/24VDC with 2m supply line H05VV-F 2x0.75mm²
 - emergency supply with capacity monitoring acc. EN81-28
 - 2x battery 12V/1.2Ah
 - 1x outgoing line 3m LIYY 3x0.34mm² with 6-way distributor
 - 1x outgoing line 3m LIYY 3x0.34mm² with connector

Accessories

Dimmer

Art.no.	Description
20416	CabinLED-Dimmer-3pol

1x Dimmer with 1m connecting line



Connecting line

Art.no.	Description
20418	CabinLED-VL-3pol-3m

1x connecting cable 3m LIYY 3x0.34mm²
 Connection between lamp and 6-way distributor
 is necessary with large lamp distances



6-way distributor

Art.no.	Description
20419	CabinLED-6-way-distributor-3pol

1x 6-way distributor with 3m connecting line LIYY 3x0.34mm²



Extension ring CabinLED5

Art.no.	Description
20005	CabinLED5-ring1 70-84mm

