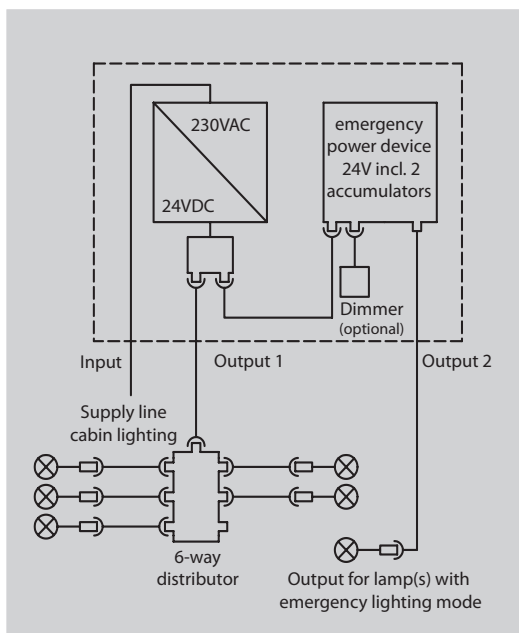


Cabin lighting CabinLED emergency power supply



Technical data

Switching power supply with NSG

Input:	100-240V AC 50Hz/60Hz, 2m supply line
Output 1:	24VDC with 3m connecting line to 6-way distributor (Lamps don't lit up during emergency mode)
Output 2:	24VDC with 3m connecting line to lamp (Lamp do lit up during emergency mode)
Lamps per power supply:	LED3 max. 12 pcs. among those max. 6 with emergency mode LED5 max. 6 pcs. among those max. 4 with emergency mode LED7 max. 6 pcs. among those max. 2 with emergency mode
Input:	for cabin light switch-off on purpose (potential-free contact in the control system)
Output:	potential-free signal contact „Battery capacity low“ 1x changer, 30VDC 1A SELV
Battery:	2x lead fleece gel accumulator 12V 1.2Ah connection in series
Protection type:	IP20
Operating temperature:	-10°C up to 50°C
Dimensions:	L:255 x W:180 x H:90mm

Operating mode:

The emergency power unit is suitable for the illumination during normal operation and during emergency power operation. Output 2 is supplied with power without interruptions. The capacity of the interior lead accumulators is controlled in compliance with EN81-28. If the rated capacity is not reached, this is indicated by a potential free contact. During emergency power operation, the accumulators are protected against being destroyed by a deep discharge. During mains operation they are continuously charged with a trickle charge. Through an input, the emergency power unit can be informed about an intended disconnection of the cabin light. If the light voltage is interrupted and the input is triggered at the same time, the emergency power unit does not switch to emergency power supply.

Optionally a dimmer can be connected to the emergency power unit. During normal operation all lamps are lighted with the adjusted brightness. During emergency power operation the emergency lamps are lighted without being dimmed.

In general the emergency power unit is suitable for operating one emergency lamp. By means of a 6-way distributor (which is not included in the delivery) several lamps can be triggered (see the "Technical data").



Accessories



Switching power supply 24V IP20 with emergency supply

Art.no.	Description
20421	CabinLED-NSG-24V-60W-3pol

- 1x emergency power supply IP20 equipped and pre-wired with:
- power supply 230VAC/24VDC with 2m supply line H05VV-F 2x0.75mm²
 - emergency supply with capacity monitoring acc. EN81-28
 - 2x battery 12V/1.2Ah
 - 1x outgoing line 3m LIYY 3x0.34mm² with 6-way distributor
 - 1x outgoing line 3m LIYY 3x0.34mm² with connector

Art.no.	Description
20419	CabinLED-6-way distributor-3pole

1x 6-way distributor with with 3m connecting line LIYY 3x0.34mm²

Lead-fleece-gel accumulator, with VdS Certificate

Art.no.	Description
20024	Lead-fleece-gel accumulator 12V 1.2Ah

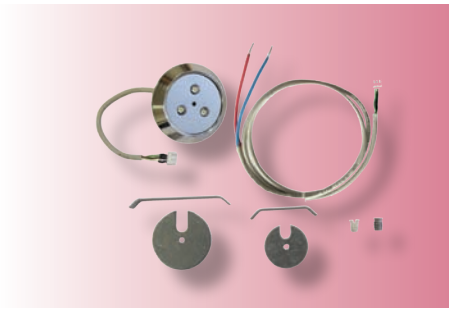
Dimensions: L 96mm x W 42mm x H 50mm

Siren horn

with 1.5m supply line, 110dB (A), 6-12V/24V DC

Art.no.	Description
52223	Siren horn 6-12V, 70mA
52224	Siren horn 24V, 70mA

Emergency cabin lighting



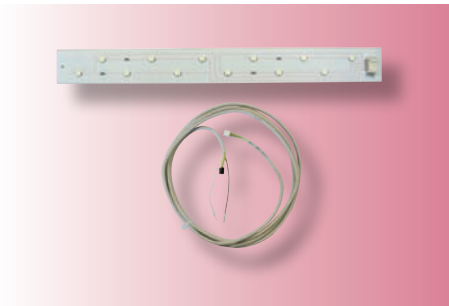
LED-emergency lamp 3x 1W 12-30V

The lamp is connected directly with the emergency power unit of the lift control. Alternatively it can be connected to a regular switching power supply, output 12-30VDC.

The lamp is exclusively available as on-surface variant with the light colour „white“ and is suitable for ceiling cutouts of 12mm-59mm, with extension rings up to 84mm.

Art.no.	Description
20422	CabinLED3-12V-30V-AB-3pol-w

1x LED-lamp for on-surface mounting with 17cm connecting cable
 1x connecting line 1m LIYY 2x0,34mm² with ferrules, 2x distance plates,
 2x clamps, 1x speed nut for fixation in sheet metal ceilings
 1x fitting for fixation in wooden ceilings



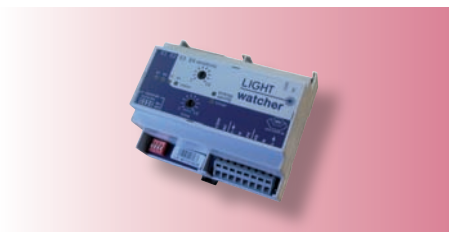
LED Strip 12V or 24V

The LED strip can be glued on the LED tiles. It is connected directly with the 12V/24V emergency power supply of the lift control.

Art.no.	Description
20108	H-LED-12V-N
20109	H-LED-24V-N

Circuit board strip 24x2.5cm equipped with 12 LEDs incl. 5m supply line

Cabin lighting switching off with LightWatcher

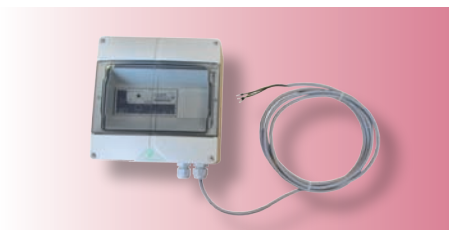


Art.no.	Description
20433	W+W LightWatcher

The LightWatcher is to be mounted directly onto the car roof. Any movements of the car can be detected by three integrated acceleration sensors. The sensors are sensitive enough to recognize also door movements.

As soon as a movement in the car is perceived, the cabin light is switched on. The switching threshold for sensing movements can be set directly on the LightWatcher-gadget. Provided that no further car or door movements are sensed, a certain time will elapse before the cabin light is switched off again. To install the LightWatcher, the lighting branch-circuit is simply cut and the LightWatcher is put in. The LightWatcher can, apart from the cabin light, switch off an additional consumer. Moreover, for the powersaving mode a third contact has been provided that can switch on a consumer so as to activate the emergency light for example.

For special applications that require the cabin light to be activated not only by the movement-sensors but also by other sensors or functions, four potential-free inputs have been provided, that can be used reversely as well. All relay contacts are closed, if the LightWatcher is not supplied with operating voltage.



20434	W+W LightWatcher in a case
-------	----------------------------

1xLightWatcher in a case pre-wired for the installation with 3m supply line



20435	W+W LightWatcher in a case for CabinLED-NSG
-------	---------------------------------------------

1x LightWatcher in a case for W+W emergency power supply pre-wired for the installation with 3m supply line and 2m control cable

Technical data Lightwatcher

Supply voltage:	230V AC 50Hz/60Hz
Power received:	2 VA
Relay outputs:	3
Max. Switching voltage:	250V AC or 30V DC
Max. continuous current:	8A (AC) or 5A (DC)
Max. switching capacity:	2000 VA (AC) or 150W (DC)
Supplementary control	4
Control voltage (E1-E4):	12V - 230V AC/DC
Type of protection:	IP20 (20433)
Dimensions:	L:106 x W:90 x H:48mm

Lightwatcher in a case article 20434+20435

Case:	L:200 x W:200 x H:130mm
Type of protection:	IP65
Supply line:	YSLY-JZ 3x1.5mm ²
Control cable (only 20435)	YSLY-JZ 2x1.0mm ²