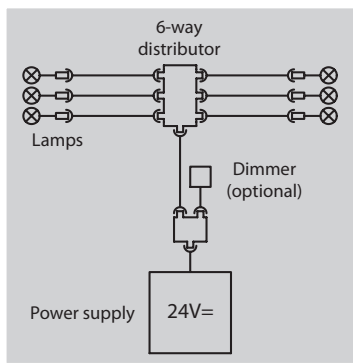




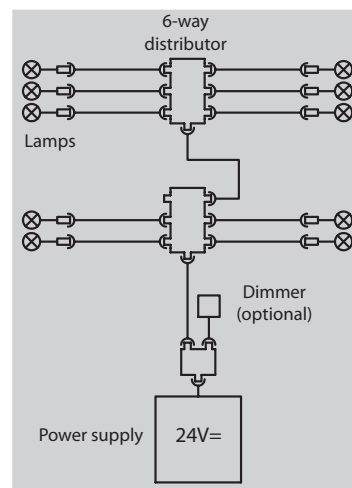
fire and shock proof*
visible side IP54



Cabin lighting CabinLED3-ESG-built-in variant with protective glass, for sheet metal ceilings



Wiring example CabinLED3 with max. 6 lamps and dimmer



Wiring example CabinLED3 with max. 10 lamps and dimmer

Technical data

Switching power supply standard:

Input: 100-240V AC 50Hz/60Hz
2m supply line H05VV-F 2x0.75mm²
Output: 24VDC / 2.0A 50W
1.5m outgoing line with T-piece
3m connecting cable
LIYY 3x0.34mm² with 6-way distributor
max. 10 pcs. (power supply 50W)
Efficiency: > 88%
Protection type power supply: IP20

Technical data switching power supply with emergency supply see page 90.

Lamp Cabin-LED3-ESG-built-in variant:

Operating current: 180mA
Power per lamp: 3x1W
Luminous flux + brightness: 300lm for light colour white (w)
228lm for light colour natural-white (nw)
Protection type: IP20
Protection class: III
Housing: Aluminium nickel-plated
Glass: Tempered safety glass (ESG)
*Fire resistance: equated EN 81-71 5.4.4 cat 1
*Shock resistance: equated EN 81-71 5.4.4 cat 1
Mounting depth: 45mm
Housing diameter: 58mm (built-in side)
79mm (outside)
Cable on lamp: 17cm, pluggable

Required ceiling cutout

CabinLED3-ESG-built-in variant: 59mm – 68.5mm
with extension ring: 70mm – 84mm

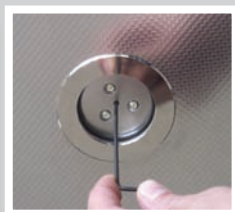
Functional description and accessories

At most 6 lamps can be plugged into a sixfold distributor. The dimmer is plugged into the T-piece or into a free output of the sixfold distributor. For more than 6 lamps, a second sixfold distributor is needed.

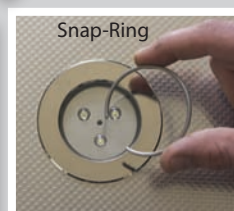
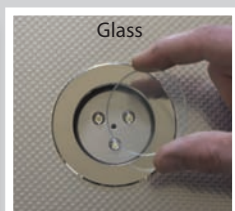
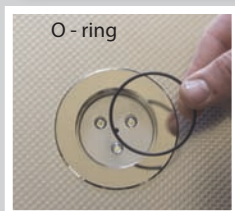
Cabin-floor space	Ceiling-height	Light colour	Number CabinLED3
up to 1.0m ²	up to 2.2m	white	2
up to 1.5m ²	up to 2.2m	white	4
up to 2.0m ²	up to 2.2m	white	6
for every additional square metre	up to 2.2m	white	2
up to 1.0m ²	up to 2.2m	natural-white	2
up to 1.5m ²	up to 2.2m	natural-white	4
up to 2.0m ²	up to 2.2m	natural-white	6
for every additional square metre	up to 2.2m	natural-white	2

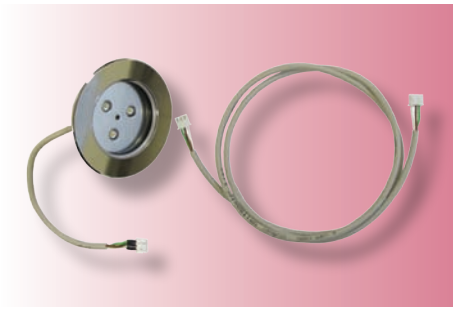
The preceding table data are based on measurements in different stainless steel lift cabins. The prescription of 50lux on the cabin floor made by EN81 was clearly exceeded in all measurements. All indications are without engagement.

Example: Mounting in ceiling cutouts of 59-68.5mm (also suitable for „over head mounting“)



Example: Insert the protective glass of CabinLED3-ESG





Basic package CabinLED3-EB-ESG-3pol

Art.no.	Description
20404	CabinLED3-EB-ESG-3pol-w
20405	CabinLED3-EB-ESG-3pol-nw

1x LED-lamp with protective glass and 17cm connecting cable
 1x connecting line 1m LIYY 3x0.34mm² to 6-way distributor



Switching power supply 24V

Art.no.	Description
20441	CabinLED-PS-24V-50W-3pol-NF

1x power supply 230VAC/24VDC, 2A 50W
 1x supply line with line filter 2m H05VV-F 2x0.75mm²
 1x outgoing line 1.5m with T-piece
 1x connecting line 1m LIYY 3x0.34mm² with 6-way distributor

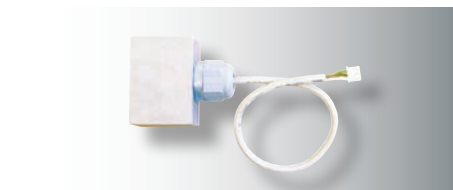


Switching power supply 24V IP20 with emergency supply

Art.no.	Description
20421	CabinLED-NSG-24V-60W-3pol

1x emergency power supply IP20 equipped and pre-wired with:

- power supply 230VAC/24VDC with 2m supply line H05VV-F 2x0.75mm²
- emergency supply with capacity monitoring acc. EN81-28
- 2x battery 12V/1.2Ah
- 1x outgoing line 3m LIYY 3x0.34mm² with 6-way distributor
- 1x outgoing line 3m LIYY 3x0.34mm² with connector



Dimmer

Art.no.	Description
20416	CabinLED-Dimmer-3pol

1x Dimmer with 1m connecting line



Connecting line

Art.no.	Description
20418	CabinLED-VL-3pol-3m

1x connecting cable 3m LIYY 3x0.34mm²
 Connection between lamp and 6-way distributor
 is necessary with large lamp distances



6-way distributor

Art.no.	Description
20419	CabinLED-6-way-distributor-3pol

1x 6-way distributor with 3m connecting line LIYY 3x0.34mm²



Extension rings CabinLED3-ESG

Art.no.	Description
20044	CabinLED3-ESG-ring 70-84mm