

Emergency stop switch, Series 84, Ø 32 mm, 1 NC + 1 NO,
IP65, IP66, IP67, Plug-in terminal, 2.8 x 0.5 mm

84-5331.2B20



<https://www.eao.com/p/197479dc>

Your product:



84-5331.2B20

Emergency stop switch, Series 84, Ø 32 mm, 1 NC + 1 NO, IP65, IP66, IP67, Plug-in terminal, 2.8 x 0.5 mm

PRODUCT RANGE

HMI function: Emergency stop switch
Series: Series 84

FRONT

Front dimension: Ø 32 mm
Front form: Round

MOUNTING

Mounting cut-out: Ø 22.5 mm
Mounting type: Panel mounting

OPERATING-/INDICATION PART

Lens colour: Red
Lens material: Plastic, according to UL 94 V0
Lens illumination: Illuminated
Lens shape: Mushroom-head
Lens optics: opaque
Lens: round
Switching position ring: Green
Illumination colour: Red

ELECTRICAL CHARACTERISTICS

Switching voltage and switching current:

Switch rating AC with silver contact (gold plated) Service category AC-15 as per EN IEC 60947-5-1		
Voltage	120 VAC	240
Current	3 A	1,5
Switch rating AC with silver contact (gold plated) Service category DC-13 as per EN IEC 60947-5-1		
NO contacts (48 VA)	NC contacts (60 VA)	NO
12 VDC/2.0 A	12 VDC/2.5 A	12.5
24 VDC/2.0 A	24 VDC/2.5 A	25.0
48 VDC/1.0 A	48 VDC/1.25 A	
60 VDC/0.8 A	60 VDC/1.0 A	

Contacts configuration:	1 NC + 1 NO
Operating voltage:	5 - 30 V DC (LED)
Operation current:	9,7 - 12,4 mA
Switching rating:	250 V AC @ 1,5 A
Electrical lifetime:	50 000 cycles of operation
Thermal current I_{th}:	5 A

MECHANICAL CHARACTERISTICS

Terminal:	Plug-in terminal, 2.8 x 0.5 mm
Contact material:	Gold
Switching action:	Maintained
Switching system:	Slow-make switching element
Release type:	Twist to unlock
Tightening torque:	Fixing nut 0.8 Nm
Total weight:	0.028 kg

AMBIENT CONDITION

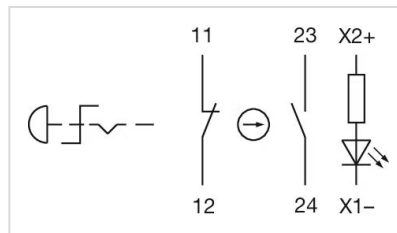
IP front protection:	IP65, IP66, IP67
Operating temperature:	- 25 °C ... + 70 °C
Vibration resistance:	Max. 50 m / s ² from 10 Hz ... 500 Hz, 10 cycles, 3-axis (sinusoidal EN IEC 60068-2-6)

CERTIFICATE

Approbations:	UL, CE, CCC, EN 60947-5-5, ISO 13850
----------------------	--------------------------------------

OTHER

Material:	Plastic, according to UL 94 V0
Housing colour:	Yellow
Housing material:	Plastic, according to UL 94 V0
Assembly instruction video:	https://vimeo.com/eaohmi/assembly-instruction-e-stop-s84
Wiring diagrams:	



Your product consists of the following **1 COMPONENTS:**



84-5331.2B20 Emergency stop switch

FRONT

Front dimension:	Ø 32 mm
Front form:	Round

MOUNTING

Mounting cut-out:	Ø 22.3 mm
Mounting type:	Panel mounting

OPERATING-/INDICATION PART

Lens colour:	Red
Lens material:	Plastic, according to UL 94 V0
Lens illumination:	Illuminated
Lens shape:	Mushroom-head

Lens optics:	opaque
Lens:	round
Switching position ring:	Green
Illumination colour:	Red

ELECTRICAL CHARACTERISTICS

Switching voltage and switching current:	Switch rating AC with silver contact (gold plated) Service category AC-15 as per EN IEC 60947-5-1		
	Voltage	120 VAC	240 VAC
	Current	3 A	1,5 A
	Switch rating AC with silver contact (gold plated) Service category DC-13 as per EN IEC 60947-5-1		
	NO contacts (48 VA)	NC contacts (60 VA)	NO
	12 VDC/2.0 A	12 VDC/2.5 A	12.5 A
	24 VDC/2.0 A	24 VDC/2.5 A	25 A
	48 VDC/1.0 A	48 VDC/1.25 A	
	60 VDC/0.8 A	60 VDC/1.0 A	
Contacts:	1 NC / 1 NO		
Operating voltage:	5 - 30 V DC (LED)		
Operation current:	9,7 - 12,4 mA		
Rated Operational Voltage Ue:	250 VAC/DC according to EN IEC 60947-1		
Rated impulse withstand voltage Uimp:	4 kV, according to EN IEC 60947-1		
Rated insulation voltage Ui:	250 V according to EN / IEC 60947-1		
Rated short-circuit current caused:	1 000 A, type of short-circuit device 6 A gG (EN 60947-5-1)		
Recommended minimum operational data:	Silver contacts (gold plated)		
	Voltage	1 VAC/DC	
	Current	1 mA	
Switching rating:	250 V AC @ 1,5 A		
Electrical lifetime:	50 000 cycles of operation		
Electric strength:	500 VAC, 50 Hz, 1 minute according to DIN IEC 60512-2		
Overvoltage category:	III, according to EN / IEC 61058-1		
Pollution degree:	3, according to EN IEC 60947-1		
Protection class:	II, according to EN / IEC 60947-5		
Standards:	According to EN 60947-5-1, EN 60947-5-5, DIN EN ISO 13850, EN IEC 60204		
Thermal current Ith:	5 A		

MECHANICAL CHARACTERISTICS

Terminal:	Plug-in terminal, 2.8 x 0.5 mm
Contact material:	Gold
Switching action:	Maintained
Switching system:	Slow-make switching element
Release type:	Twist to unlock
Mechanical lifetime:	250 000 cycles of operation
Operating force:	20 N ±4 N
Operating Travel:	ca. 4 mm
Tightening torque:	Fixing nut 0.8 Nm
Weight:	0.028 kg

AMBIENT CONDITION

IP front protection:	IP65, IP66, IP67, according to DIN EN 60529
IK Protection:	IK07 as per IEC 62262
Operating temperature:	- 25 °C ... + 70 °C
Storage temperature:	- 25 °C ... + 85 °C
Shock resistance:	Max. 150 m / s ² , pulse width 11 ms, 3-axis, (semi-sinusoidal as per EN IEC 60068-2-27)
Vibration resistance:	Max. 50 m / s ² from 10 Hz ... 500 Hz, 10 cycles, 3-axis (sinusoidal EN IEC 60068-2-6)
Climate resistance:	Damp heat, cyclic: 96 hours, + 25 °C/97 %, + 55 °C/93 % relative humidity, as per EN IEC 60068-2-30 Damp heat, steady: 56 days, + 40 °C/93 % relative humidity, according to EN IEC 60068-2-78 Saline mist: 96 hours, + 35 °C in chemical solution NaCl, as per EN IEC 60068-2-11 Dry heat: 96 hours, + 70 °C, as per EN IEC 60068-2-2 Low temperature: 96 hours, - 40 °C (as per EN IEC 60068-2-1) Simulated solar radiation test SA2 and weathering test SB1 as per EN IEC 60068-2-5

CERTIFICATE

Approbations:	CB (IEC 60947-5-1. IEC60947-5-5), CCC, EN ISO 13850, UL NISD
Conformities:	CE, UKCA, 2006 / 42 / EC (MD), 2011 / 65 / EC (RoHS)
REACH:	REACH compliant
RoHS:	RoHS compliant

OTHER

Short Description:

Emergency stop switch, Ø 22.3 mm, Ø 32 mm, Mushroom-head, Illuminated, Red, Plastic, according to UL 94 V0, opaque, Round, 1 NC / 1 NO, Maintained, Plug-in terminal, 2.8 x 0.5 mm, IP65, IP66, IP67, according to DIN EN 60529, Twist to unlock, Red

Material:

Plastic, according to UL 94 V0

Housing colour:

Yellow

Housing material:

Plastic, according to UL 94 V0

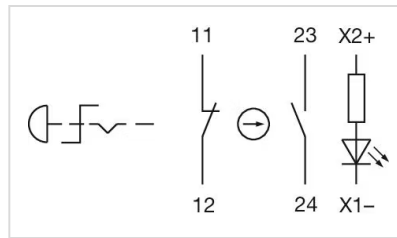
Hints:

Twist to unlock clockwise
Luminosity and wave length variations caused by LED manufacturing processes may cause slight differences regarding the illumination.
Foolproof according to EN IEC 60947-5-5
Lens colour Red

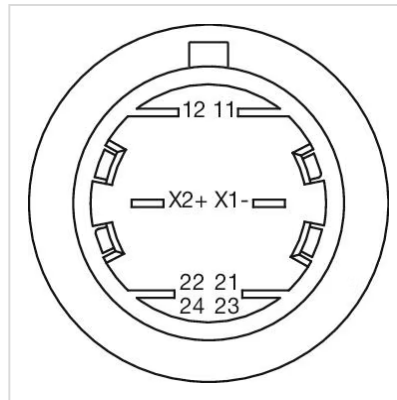
Description component:

The double-break switching system can be supplied for the following switching functions: 1 Normally closed, 2 Normally closed, 1 Normally closed + 1 Normally open. The Normally closed contacts have forced opening according to EN 60947-5-5

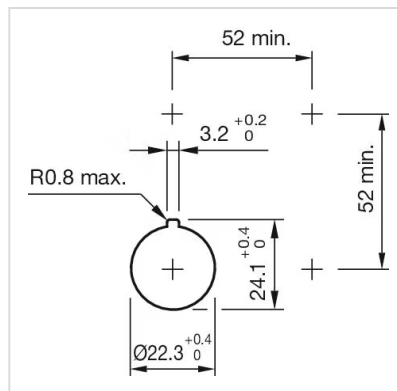
Wiring diagrams:



Component layouts:



Mounting cut-outs:



Dimension drawings:

