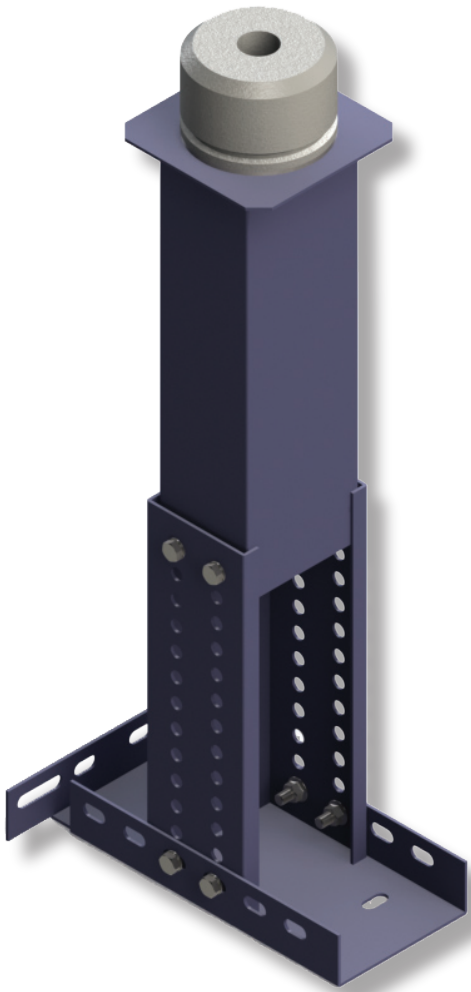


Buffer support and lift buffer

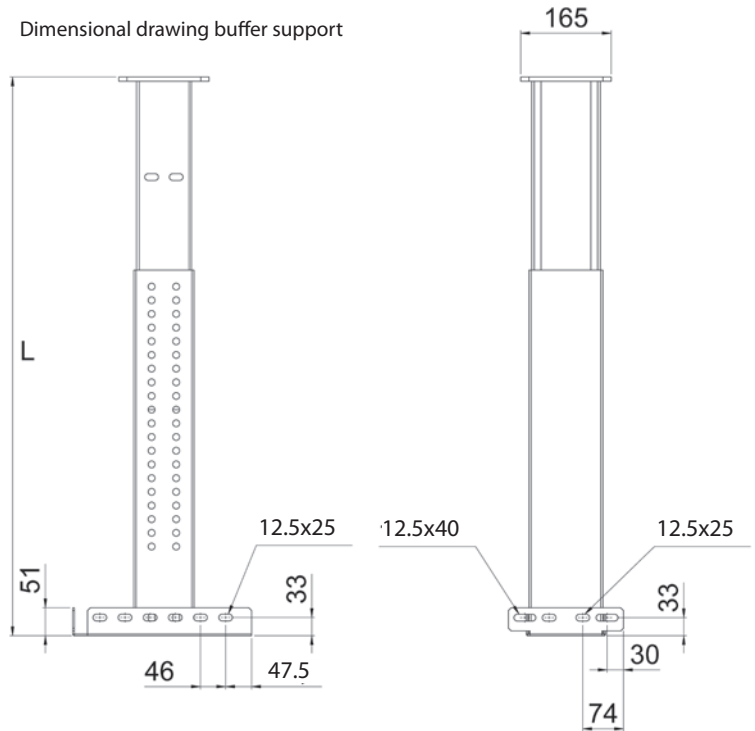


Buffer support

The telescopic buffer supports are excellently suitable for new construction and modernisation in the shaft pit. The exact height can be adjusted in the pit. The buffer height can also be modified, e.g. if the distance, which the lift can be moved below the lowest landing, is changed.

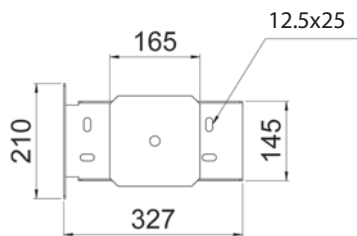
The buffer supports consist of powder coated steel sheet. The buffer can be screwed to the floor with anchor bolts or it can be fixed in the pit with other stationary parts of the lift.

Dimensional drawing buffer support



Size	Height
1	200 - 282mm
2	283 - 414mm
3	415 - 720mm
4	721 - 1020mm
5	1021 - 1400mm

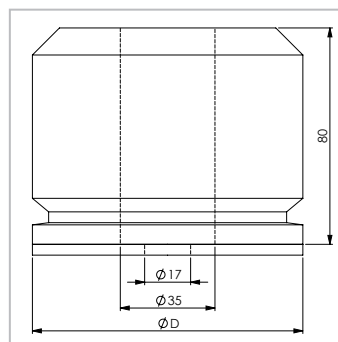
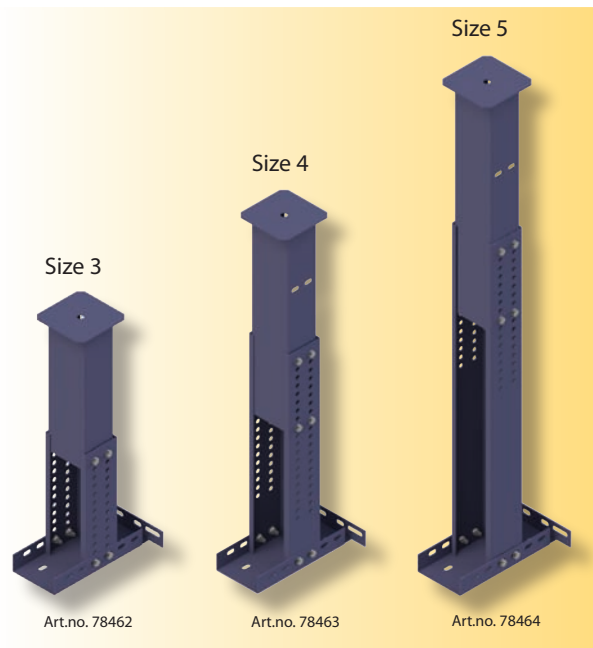
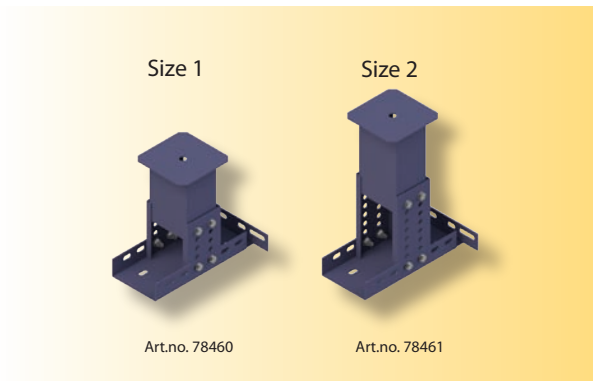
Maximum charge: 2000kg (per support)
 Maximum rated velocity: 1m/s



Mounting example buffer support size 4 with buffer



Telescopic buffer support



Dimensional drawing lift buffer

Art.no.	Description
78460	Buffer support size 1 200- 282mm
78461	Buffer support size 2 283- 414mm
78462	Buffer support size 3 415- 720mm
78463	Buffer support size 4 721-1020mm
78464	Buffer support size 5 1021-1400mm

Scope of delivery for all buffer supports:

- 1 pc. floor plate
- 1 pc. U-profile part 1
- 1 pc. U-profile part 2 with buffer plate
- 1 pc. bag with small parts
- 1 pc. detailed mounting instruction, German, English, French, Spanish



Lift buffer

acc. to EN 81-1/2

Art.no.	Description
78470	Lift buffer EN81-1/2 100x80mm, 190-3240kg

Maximum rated velocity:	1m/s
Minimum charge:	190kg
Maximum charge:	3240kg
Diameter Ø:	100mm

acc. to EN 81-20 / 50

Art.no.	Description
78471	Lift buffer EN81-20/50 100x80mm, 220-700kg
78472	Lift buffer EN81-20/50 165x80mm, 670-2700kg

	78471	78472
Maximum rated velocity:	1m/s	1m/s
Minimum charge:	220kg	670kg
Maximum charge:	700kg	2700kg
Diameter Ø:	100mm	165mm

The prototype test for the lift buffer was carried out in accordance with the lift directive. The certification number documents the admissible load range of each lift buffer type.