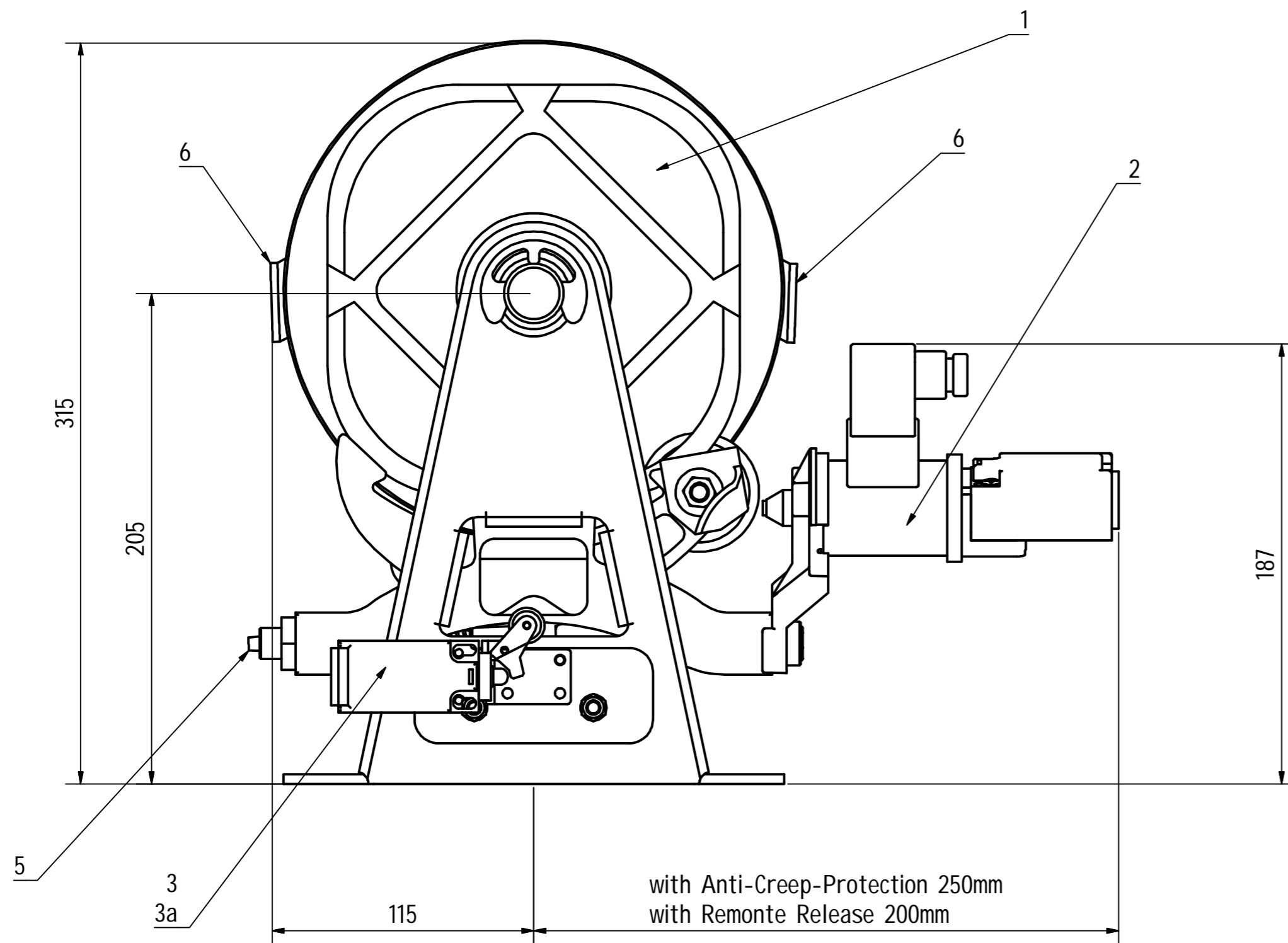
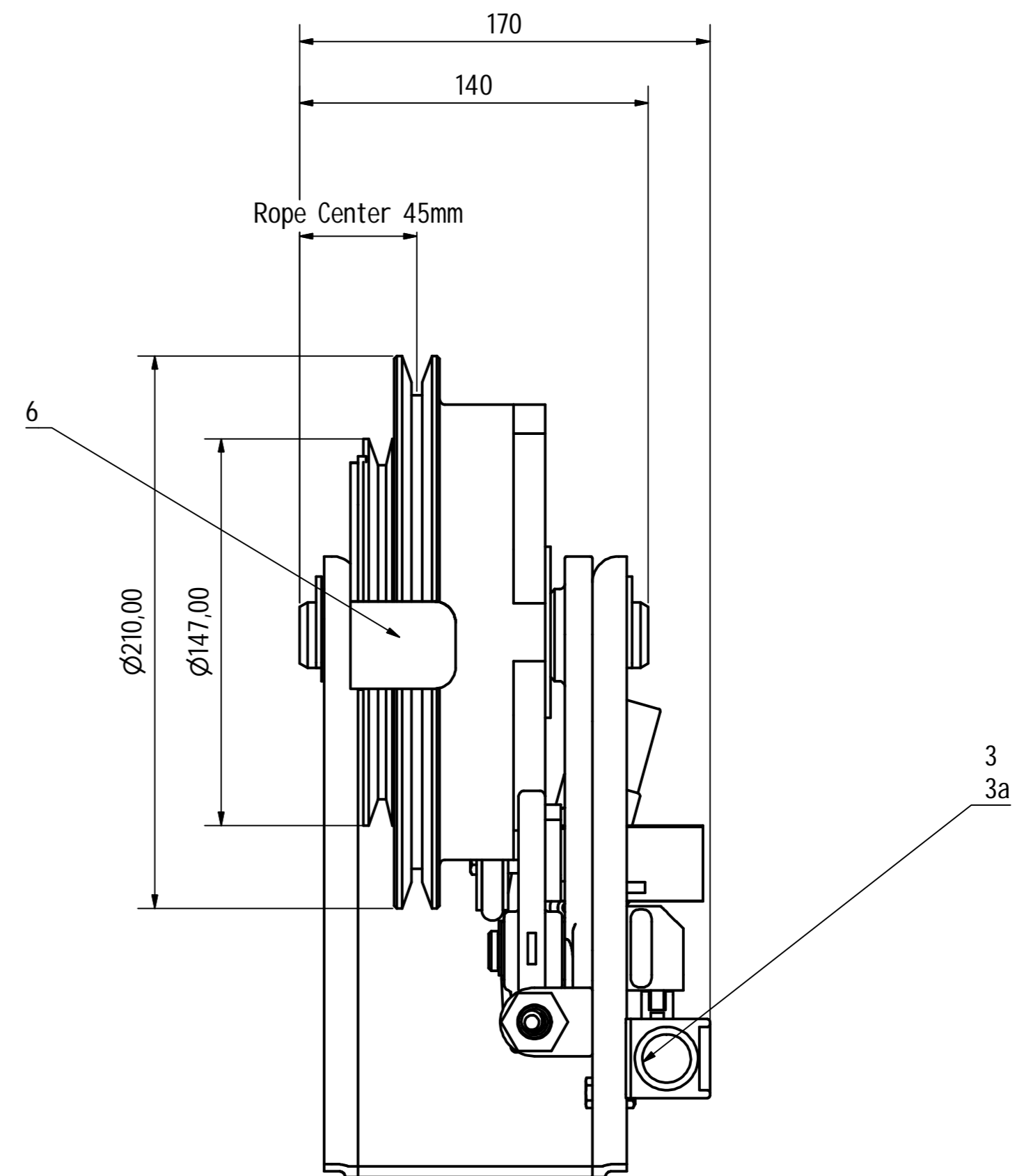


1) standard mounting  
2) mounting in hanging version

Tabelle		
No	applikation	Type
1	Overspeed Governor	8
2	Position Remote Release (110/230V) / Anti-Creep Protection (12/24V)	
3	Safety Switch > Vn 1,00m/s (opener / closer)	1563
3a	Safety Switch > Vn 1,00m/s (NCC double contact)	1562
5	Setscrew	
6	Protection against jumping off	



with Anti-Creep-Protection 250mm  
with Remote Release 200mm



BODE Components		Allgemeintoleranz nach DIN ISO 2768 m	Material:	Gewicht: 13 kg
Düsseldorf		Datum	Name	
		Gezeichnet 17.09.2016	Sapronow	VA from 0,50-1,49 m/s
		Kontrolliert 21.09.2016	Simonsmeier	Overspeed Governor Type 8-ASV
		Norm		Overspeed Governor Type 8 EU-OG 069
			6 380 012	1
				A2
Status	Änderungen	Datum	Name	