



# DOOR DETECTOR CDZ SERIES

## 03.G5.CDZ.174.FD2

### USER MANUAL

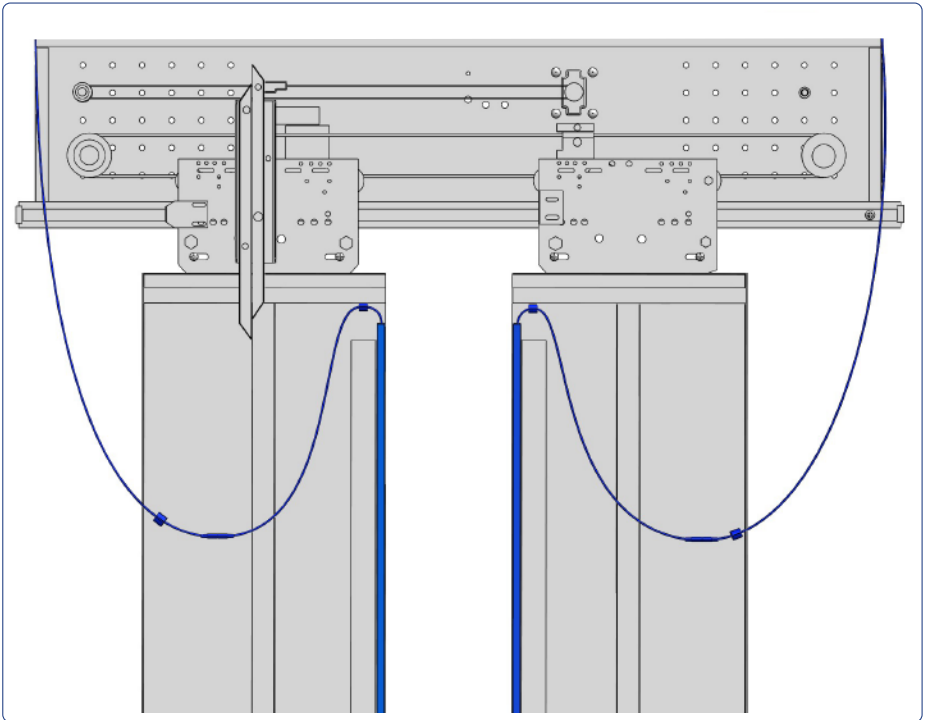
**WECO**

Version UM.G5.CDZ.174.FD2.C10



Manufactured under ISO 9001

# INSTALLATION INSTRUCTIONS



1. Securely fix the transmitter and receiver to the car/car doors through the fixing holes with the bolts provided, ensuring that the labels are pointing outwards.
2. Ensure that both the receiver and the transmitter are at the same level.
3. Fix the power supply on the car top. Ensure that the steel cover is grounded.
4. Connect the power supply to the input terminals. Connect the output signals to the output terminals.
5. Connect the cables from the receiver and the transmitter to the input terminals of the door controller. Ensure both cables can be easily and smoothly bent. Tightly lock both sides of the intermediate connectors.
6. Switch on the power.  
The yellow LED in the receiver will light up.  
The red LED in the receiver will light up when the light beams are interrupted.



## SAFETY INSTRUCTIONS

- Keep connection cables away from high voltage and/or high current wires.
- Keep connection cables away from door motor and door drive.
- Avoid exposing the receiver (RX) lens to direct sunlight or other infrared sources.
- Prior to power-on, clean the lenses with a soft, damp cloth.
- Do not bend or twist the edges, and do not scratch the lenses.

### PLANNED MAINTENANCE PROCEDURE

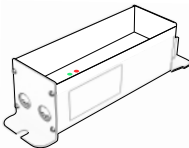
- Ensure that the yellow LED is lit (system functioning), then clean the lenses with a soft, damp cloth.
- Check all plug and terminal connections.
- Perform a detection test by inserting an object greater than 50mm between the TX and RX.
- The red LED status indicator will light to confirm object detection.



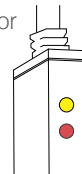
## TROUBLESHOOTING

Neither LED in the receiver is lit.	→ The cable is broken or not connected.
Both the yellow and red LEDs of the door detector are lit without interruption between the RX and TX.	→ The plastic filter is too dirty. Other infrared equipment is nearby. The ambient light is stronger than allowed. There is a system fault.
The LEDs of the door detector are lit correctly when interrupted, but the car door doesn't open.	→ Wrong connection with NC/NO contacts. The output relay is broken. Check the wiring.
The green LED in the power supply is not lit.	→ The power supply wires are broken or incorrectly connected. The terminal connection is too loose. The power supply is broken and needs to be replaced.

Power Supply LEDs



Door Detector LEDs in RX

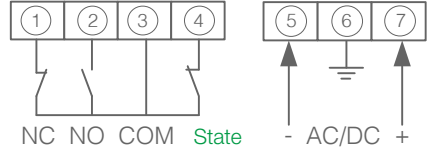


Yellow  
Power indicator  
Red  
Status indicator

# POWER SUPPLY

03.G5.PWS.FD2

MODEL	03.G5.PWS.FD2.24
VOLTAGE	DC24V±20%,4W
MODEL	03.G5.PWS.FD2.230
VOLTAGE	AC220V±15%,50/60Hz,4W



## PACKING LIST

ITEMS	QTY	ITEMS	QTY
Cables	2 cables	Operation manual	1 copy
Transmitter (TX)	1 piece	Mounting accessories	1 set
Receiver (RX)	1 piece	Power supply	1 piece



Please check if anything is missing from the packing list.

Contents may vary slightly according to the customers specific requirements.



### WARNING



- This equipment should be installed by qualified technicians.
- Follow the instructions of this manual.
- Do not drill the PCB.