



# DOOR DETECTOR CDZ SERIES

## 03.G5.CDZ.174.PNC

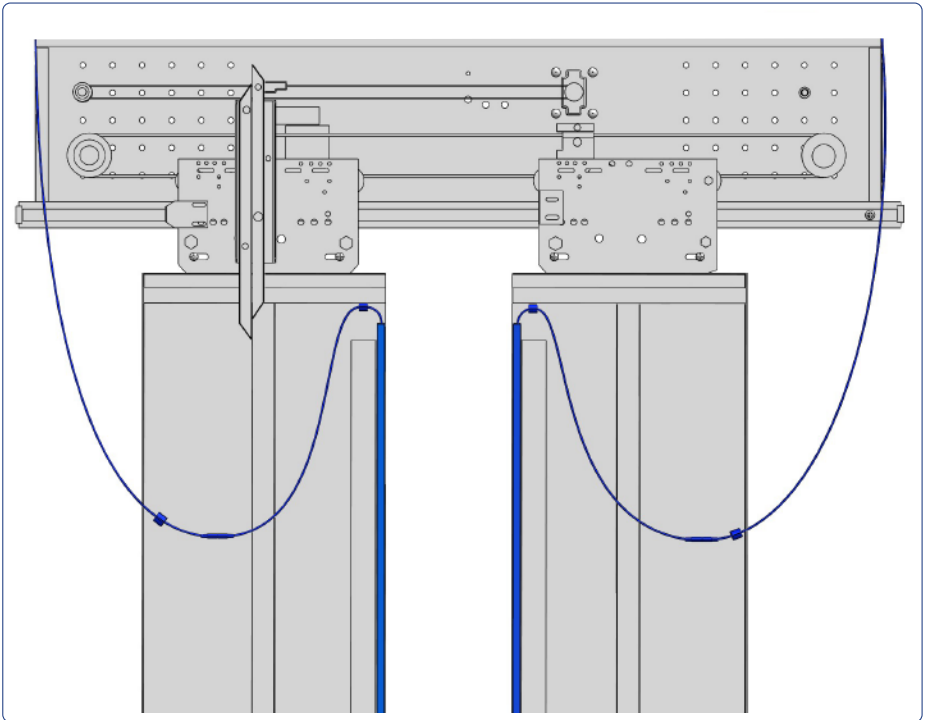
### USER MANUAL

**WECO**

Version UM.G5.CDZ.07L23



# INSTALLATION INSTRUCTIONS



1. Securely attach the transmitter and receiver to the car/car doors through the fixing holes with the bolts provided.
2. Ensure that both the receiver and the transmitter are at the same level.
3. Connect the cables from the receiver and the transmitter to the input terminals of the door controller.
4. Ensure that both cables can be easily and smoothly bent. Tightly lock the intermediate connectors.
5. Switch on the power. The yellow LED in the receiver will light up. The red LED in the receiver will light up when the light beams are interrupted.



## SAFETY INSTRUCTIONS

- Keep connection cables away from high voltage and/or high current wires.
- Keep connection cables away from door motor and door drive.
- Avoid exposing the receiver (RX) lens to direct sunlight or other infrared sources.
- Prior to power-on, clean the lenses with a soft, damp cloth.
- Do not bend or twist the edges, and do not scratch the lenses.

### PLANNED MAINTENANCE PROCEDURE

- Ensure that the yellow LED is lit (system functioning), then clean the lenses with a soft, damp cloth.
- Check all plug and terminal connections.
- Perform a detection test by inserting an object greater than 50mm between the TX and RX.
- The red LED status indicator will light to confirm object detection.



## TROUBLESHOOTING

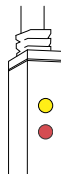
Neither LED in the receiver is lit.

→ The cable is broken or not connected.

Both the yellow and red LEDs of the door detector are lit without interruption between the RX and TX.

→ The plastic filter is too dirty.  
Other infrared equipment is nearby.  
The ambient light is stronger than allowed.  
There is a system fault.

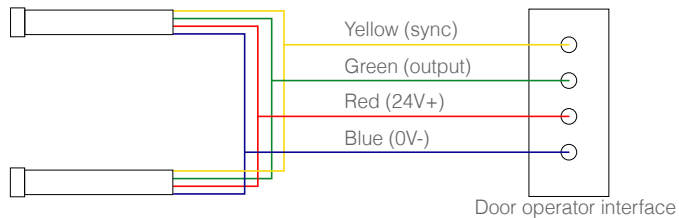
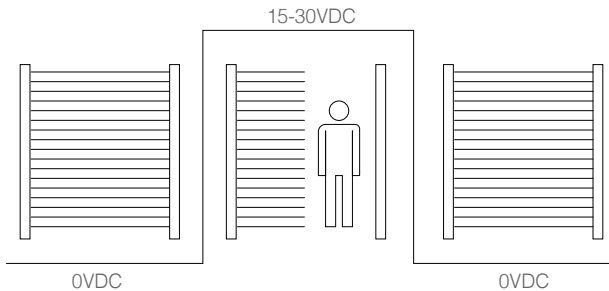
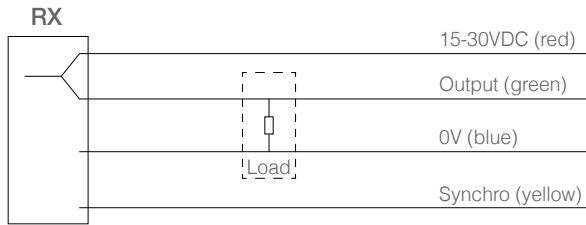
Door Detector LEDs



Yellow - Power Indicator

Red - Status Indicator

# OUTPUT DEFINITION AND WIRING



## PACKING LIST

ITEMS	QTY
Cables	2 cables
Transmitter (TX)	1 piece
Receiver (RX)	1 piece
Operation manual	1 copy
Mounting accessories	1 set



Please check if anything is missing from the packing list.

Contents may vary slightly according to the customers specific requirements.