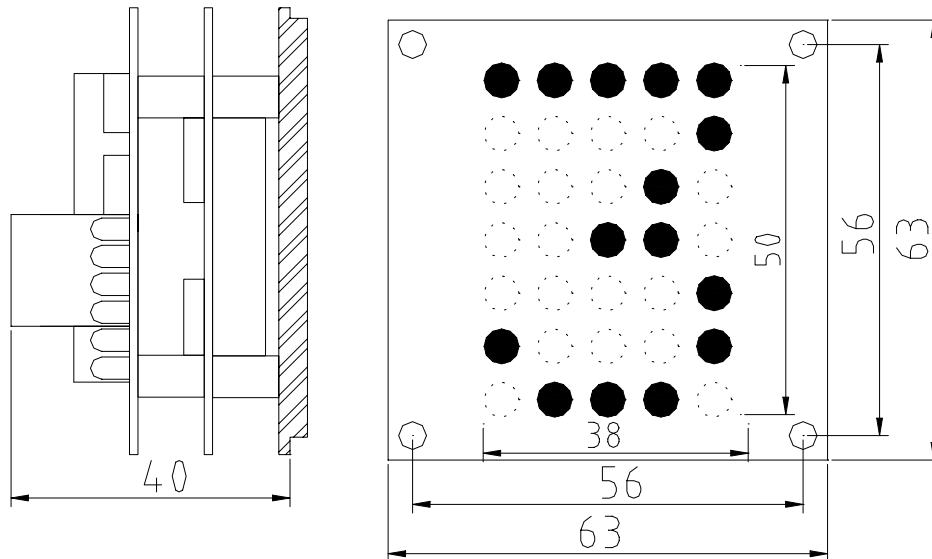


MFCU50-1



Faceplate Cut-Out: 60(h) x 48(w) mm

Fixings: 4x M3x30mm Studs

Description Three colour LED dot matrix display: 7 rows, 5 columns, 50mm high, 38mm wide, 5mm dots

Standard Floor Library -1, 0 to 9 and A to Z

Standard Features Individual LEDs can be any one of three colours: RED, GREEN or AMBER
 Single character position (AMBER)
 Override hall lantern arrow (RED for down, GREEN for up)
 Out of service symbol (RED)
 Vertical scrolling (floor changes & running arrows)

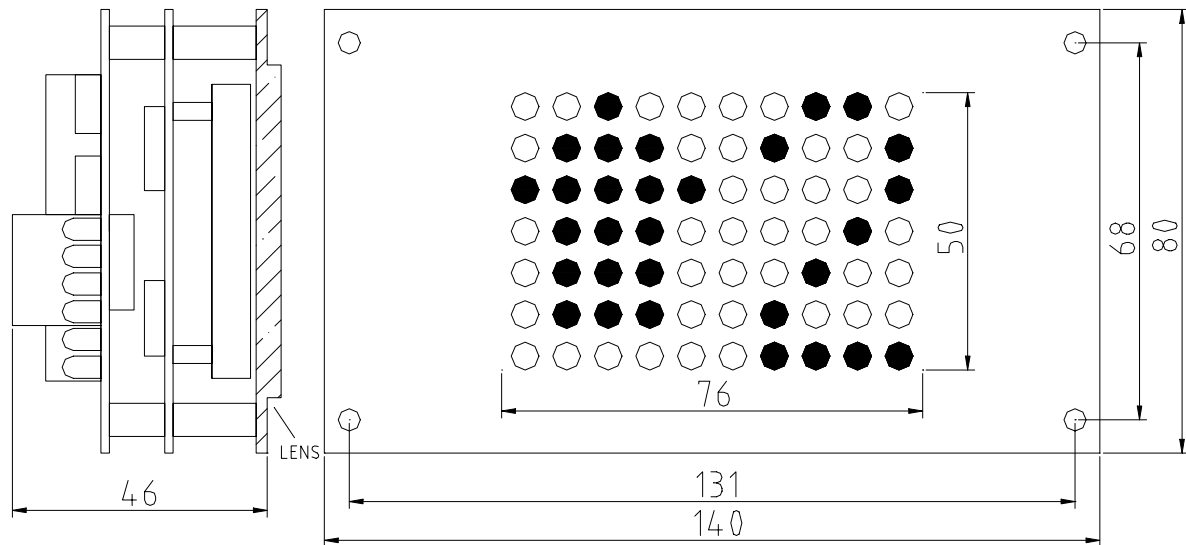
Switch Selectable Features Scrolling running arrow inserted between floor roll-over changes
 Hall lanterns only
 Scrolling running arrow overriding position
 Hall lantern floor designations
 Landing or car indicator function
 Electronic chime volume

Electrical Detail Continuous power supply: 12vdc to 37vdc or 12vac to 24vac
 Power supply consumption: 150mA @12vdc

General Unit supplied loose with a drilled & rebated Pacton lens (4.5mm thick, dark grey tinted) & fixing spacers

Optional Items Electronic chime
 Stainless steel faceplate & mild steel backbox
 Angled stainless steel surface mount enclosure

THIS UNIT CONNECTS ONTO OUR 4-WIRE NETWORK; THEREFORE, A CONTROL UNIT MUST BE ORDERED FOR EACH LIFT

MFCU50-2A**Faceplate Cut-Out: 60(h) x 86(w) mm****Fixings: 4x M3x30mm Studs**

Description Three colour LED dot matrix display: two blocks, 7 rows, 10 columns, 50mm high, 76mm wide, 5mm dots.

Standard Floor Library 0 to 9 and A to Z

Standard Features Individual LEDs can be any one of three colours: RED, GREEN or AMBER
 Simultaneous single character position (AMBER) and running arrow (down RED and up GREEN)
 Override hall lantern arrows (down RED and up GREEN)
 Out of service symbol (RED)
 Vertical scrolling (floor changes or running arrows and hall lantern arrows)
 Horizontal scrolling messages (AMBER)

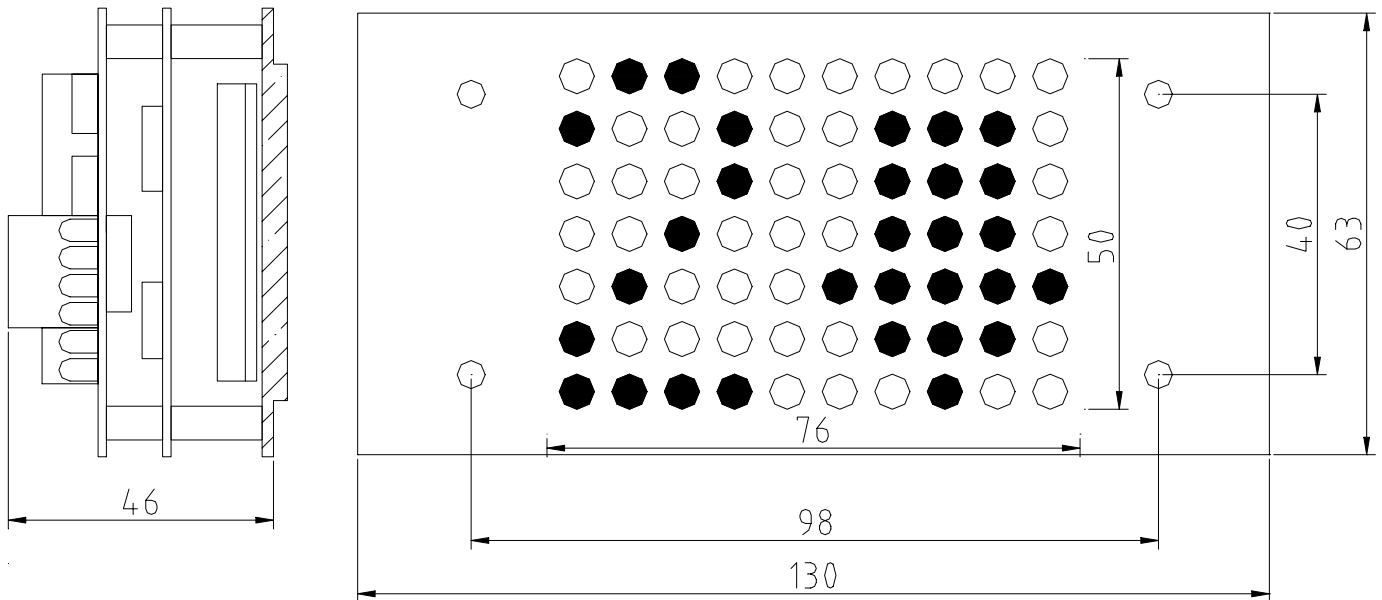
Switch Selectable Features Vertical scrolling running arrow or floor changes
 Hall lantern floor designations
 Landing or car indicator function
 Electronic chime volume

Electrical Detail Continuous power supply: 12vdc to 37vdc or 12vac to 24vac
 Power supply consumption: 200mA @12vdc

General Unit supplied loose with a drilled & rebated Pacton lens (4.5mm thick, dark grey tinted) & fixing spacers

Optional Items Electronic chime
 3-D lens and side arrow option – LENS502 (see data sheet)
 Stainless steel faceplate & mild steel backbox
 Narrower version – MFCU50-AN

THIS UNIT CONNECTS ONTO OUR 4-WIRE NETWORK; THEREFORE, A CONTROL UNIT MUST BE ORDERED FOR EACH LIFT

MFCU50-2AN

Faceplate Cut-Out: 60(h) x 86(w) mm

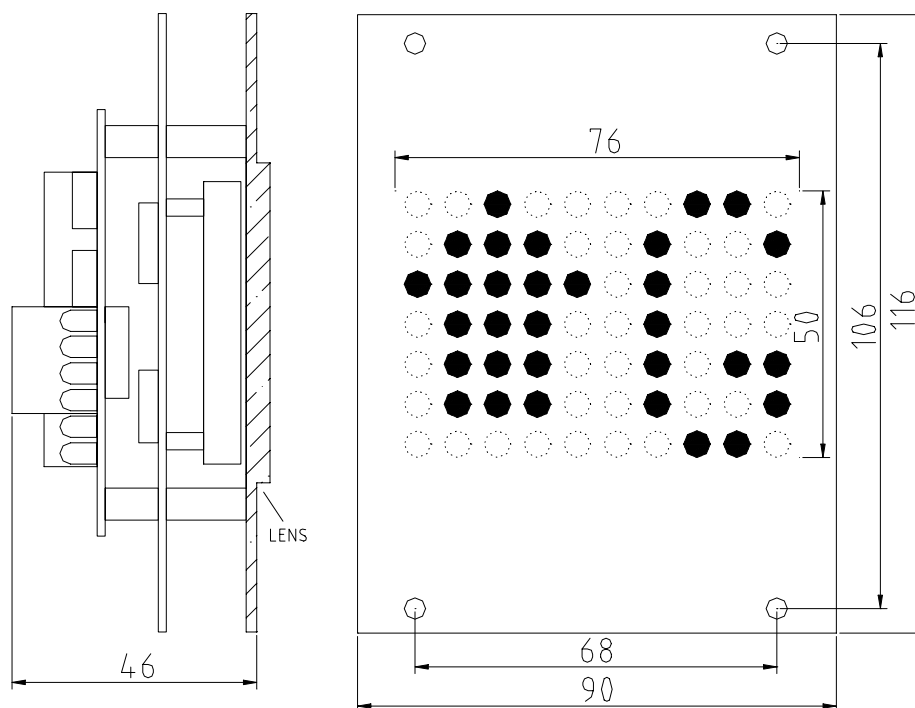
Fixings: 4x M3x30mm Studs

NOTE: THIS UNIT HAS IDENTICAL FEATURES TO THE MFCU50-2A, BUT HAS A NARROWER FOOTPRINT

Description	Three colour LED dot matrix display: two blocks, 7 rows, 10 columns, 50mm high, 76mm wide, 5mm dots.
Standard Floor Library	-1, 0 to 9 and A to Z
Standard Features	Individual LEDs can be any one of three colours: RED, GREEN or AMBER Simultaneous single character position (AMBER) and running arrow (down RED and up GREEN) Override hall lantern arrows (down RED and up GREEN) Out of service symbol (RED) Vertical scrolling (floor changes or running arrows and hall lantern arrows) Horizontal scrolling messages (AMBER)
Switch Selectable Features	Vertical scrolling running arrow or floor changes Hall lantern floor designations Landing or car indicator function Electronic chime volume
Electrical Detail	Continuous power supply: 12vdc to 37vdc or 12vac to 24vac Power supply consumption: 200mA @12vdc
General	Unit supplied loose with a drilled & rebated Pacton lens (4.5mm thick, dark grey tinted) & fixing spacers
Optional Items	Electronic chime 3-D lens and side arrow option – LENS502N (see data sheet) Stainless steel faceplate & mild steel backbox

THIS UNIT CONNECTS ONTO OUR 4-WIRE NETWORK; THEREFORE, A CONTROL UNIT MUST BE ORDERED FOR EACH LIFT

MFCU50-2AV



Faceplate Cut-Out: 60(h) x 86(w) mm

Fixings: 4x M3x30mm Studs

NOTE: THIS UNIT HAS IDENTICAL FEATURES TO THE MFCU50-2A, BUT HAS A NARROWER FOOTPRINT

Description Three colour LED dot matrix display: two blocks, 7 rows, 10 columns, 50mm high, 76mm wide, 5mm dots.

Standard Floor Library 0 to 9 and A to Z

Standard Features

- Individual LEDs can be any one of three colours: RED, GREEN or AMBER
- Simultaneous single character position (AMBER) and running arrow (down RED and up GREEN)
- Override hall lantern arrows (down RED and up GREEN)
- Out of service symbol (RED)
- Vertical scrolling (floor changes or running arrows and hall lantern arrows)
- Horizontal scrolling messages (AMBER)

Switch Selectable Features

- Vertical scrolling running arrow or floor changes
- Hall lantern floor designations
- Landing or car indicator function
- Electronic chime volume

Electrical Detail

- Continuous power supply: 12vdc to 37vdc or 12vac to 24vac
- Power supply consumption: 200mA @12vdc

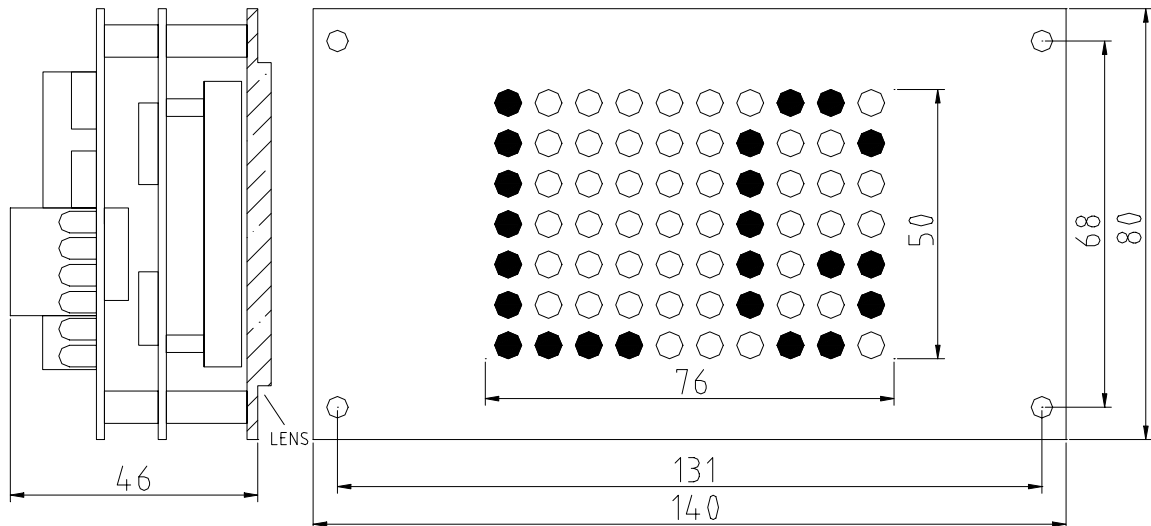
General Unit supplied loose with a drilled & rebated Pacton lens (4.5mm thick, dark grey tinted) & fixing spacers

Optional Items

- Electronic chime
- 3-D lens and side arrow option – LENS502V (see data sheet)
- Stainless steel faceplate & mild steel backbox

THIS UNIT CONNECTS ONTO OUR 4-WIRE NETWORK; THEREFORE, A CONTROL UNIT MUST BE ORDERED FOR EACH LIFT

MFCU50-2



Faceplate Cut-Out: 60(h) x 86(w) mm

Fixings: 4x M3 X 30mm studs

Description Three colour LED dot matrix display: two blocks, 7 rows, 10 columns, 50mm high, 76mm wide, 5mm dots.

Standard Floor Library 0 to 31, A to Z, -1 to -8, B1 to B8
LB, UB, SB, LG, UG, LM, UM, MZ, SL, CP, GR, 04, 03, 02, 01

Standard Features Individual LEDs can be any one of three colours: RED, GREEN or AMBER
Double character position (AMBER)
Override hall lantern arrows (down RED and up GREEN)
Out of service symbol (RED)
Vertical scrolling (floor changes and hall lantern arrows)
Horizontal scrolling messages (AMBER)

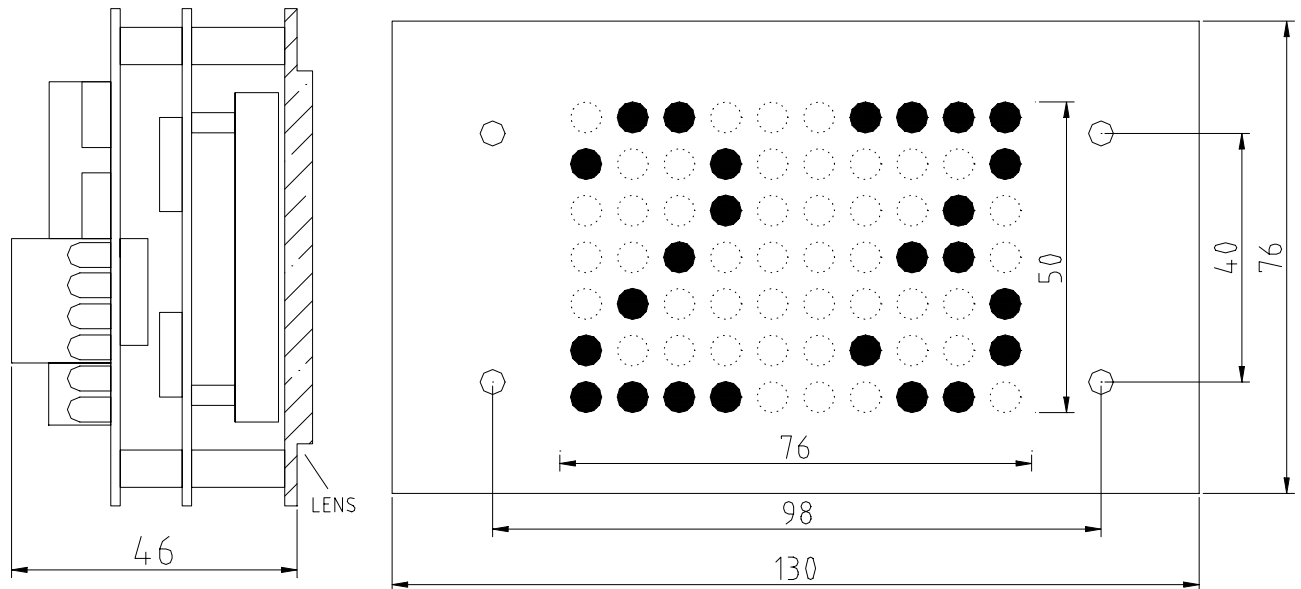
Switch Selectable Features Scrolling running arrow inserted between roll-over floor changes
Hall lantern floor designations
Landing or car indicator function
Electronic chime volume

Electrical Detail Continuous power supply: 12vdc to 37vdc or 12vac to 24vac
Power supply consumption: 200mA @12vdc

General Unit supplied loose with a drilled & rebated Pacton lens (4.5mm thick, dark grey tinted) & fixing spacers

Optional Items Electronic chime
3-D lens and side arrow option – LENS502 (see data sheet)
Stainless steel faceplate & mild steel backbox
Narrower version – MFCU50-2N

THIS UNIT CONNECTS ONTO OUR 4-WIRE NETWORK; THEREFORE, A CONTROL UNIT MUST BE ORDERED FOR EACH LIFT

MFCU50-2N

Faceplate Cut-Out: 60(h) x 86(w) mm

Fixings: 4x M3x30mm Studs

NOTE: THIS UNIT HAS IDENTICAL FEATURES TO THE MFCU50-2, BUT HAS A NARROWER FOOTPRINT

Description Three colour LED dot matrix display: two blocks, 7 rows, 10 columns, 50mm high, 76mm wide, 5mm dots.

Standard Floor Library 0 to 31, A to Z, -1 to -8, B1 TO B8
LB, UB, SB, LG, UG, LM, UM, MZ, SL, CP, GR, 04, 03, 02, 01

Standard Features Individual LEDs can be any one of three colours: RED, GREEN or AMBER
Double character position (AMBER)
Override hall lantern arrows (down RED and up GREEN)
Out of service symbol (RED)
Vertical scrolling (floor changes)
Horizontal scrolling messages (AMBER)

Switch Selectable Features Vertical scrolling floor changes, with or without scrolling running arrow between changes
Hall lantern floor designations
Landing or car indicator function
Electronic chime volume

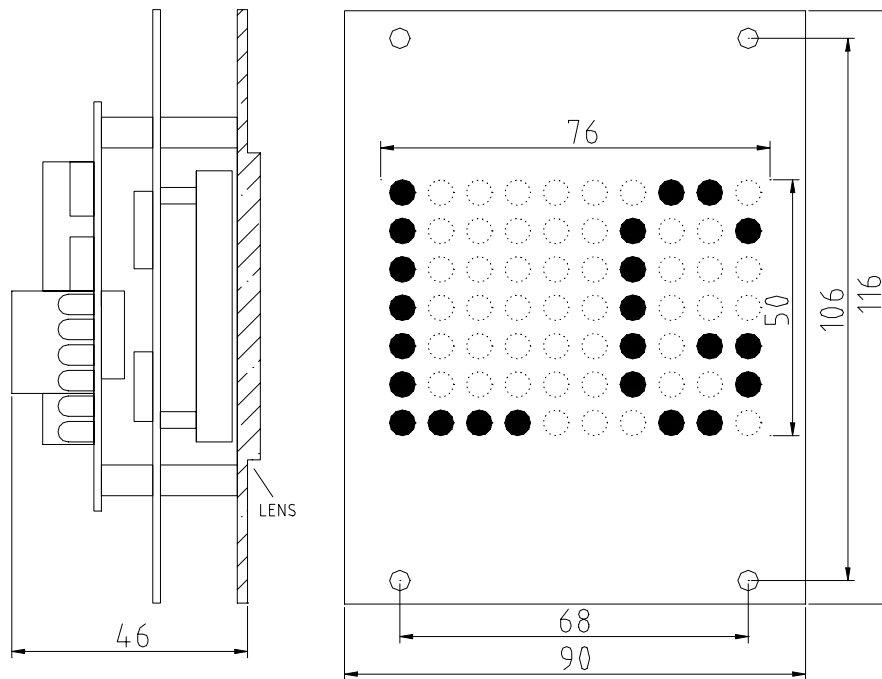
Electrical Detail Continuous power supply: 12vdc to 37vdc or 12vac to 24vac
Power supply consumption: 200mA @12vdc

General Unit supplied loose with a drilled & rebated Pacton lens (4.5mm thick, dark grey tinted) & fixing spacers

Optional Items Electronic chime
3-D lens and side arrow option – LENS502N (see data sheet)
Stainless steel faceplate & mild steel backbox

THIS UNIT CONNECTS ONTO OUR 4-WIRE NETWORK; THEREFORE, A CONTROL UNIT MUST BE ORDERED FOR EACH LIFT

MFCU50-2V



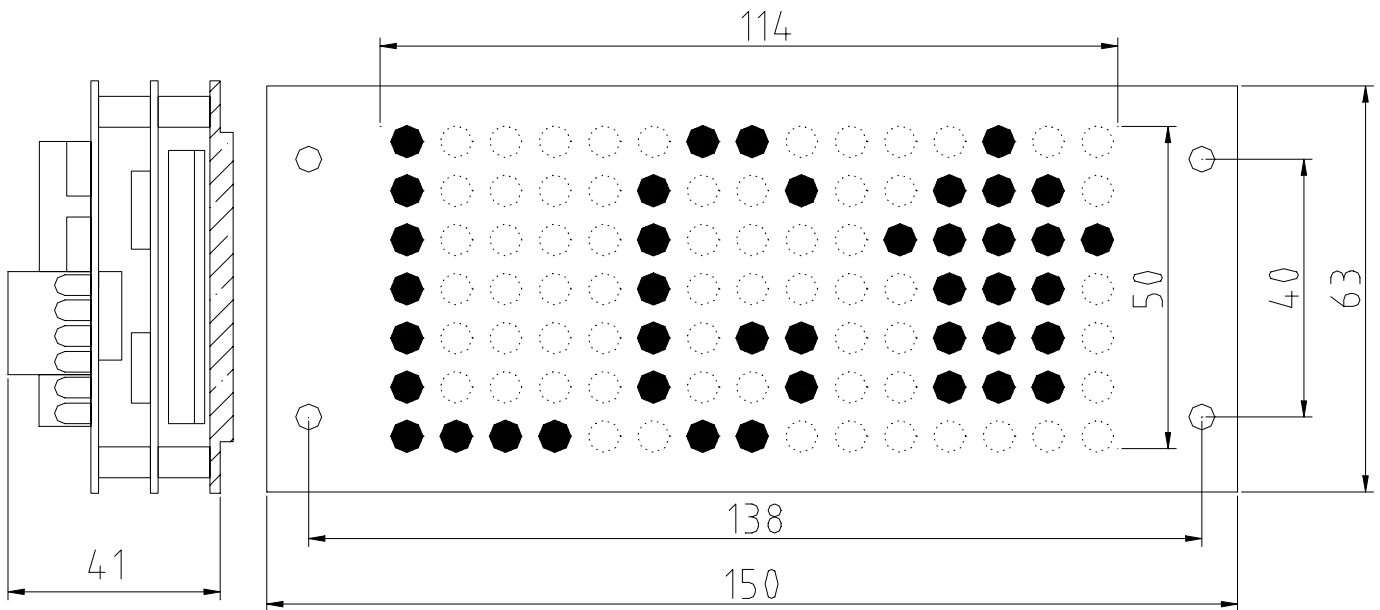
Faceplate Cut-Out: 60(h) x 86(w) mm

Fixings: 4x M3 X 30mm studs

NOTE: THIS UNIT HAS IDENTICAL FEATURES TO THE MFCU50-2, BUT HAS A NARROWER FOOTPRINT

Description	Three colour LED dot matrix display: two blocks, 7 rows, 10 columns, 50mm high, 76mm wide, 5mm dots.
Standard Floor Library	0 to 31, A to Z, -1 to -8, B1 to B8 LB, UB, SB, LG, UG, LM, UM, MZ, SL, CP, GR, 04, 03, 02, 01
Standard Features	Individual LEDs can be any one of three colours: RED, GREEN or AMBER Double character position (AMBER) Override hall lantern arrows (down RED and up GREEN) Out of service symbol (RED) Vertical scrolling (floor changes and hall lantern arrows) Horizontal scrolling messages (AMBER)
Switch Selectable Features	Scrolling running arrow inserted between roll-over floor changes Hall lantern floor designations Landing or car indicator function Electronic chime volume
Electrical Detail	Continuous power supply: 12vdc to 37vdc or 12vac to 24vac Power supply consumption: 200mA @12vdc
General	Unit supplied loose with a drilled & rebated Pacton lens (4.5mm thick, dark grey tinted) & fixing spacers
Optional Items	Electronic chime 3-D lens and side arrow option – LENS502V (see data sheet) Stainless steel faceplate & mild steel backbox

THIS UNIT CONNECTS ONTO OUR 4-WIRE NETWORK; THEREFORE, A CONTROL UNIT MUST BE ORDERED FOR EACH LIFT

MFCU50-3H**Faceplate Cut-Out: 60(h) x 124(w) mm****Fixings: 4x M3x20mm Studs**

Description Three colour LED dot matrix display: 7 rows, 15 columns, 50mm high, 114mm wide, 5mm dots

Standard Floor Library 0 to 31, A to Z, -1 to -8, B1 to B8
LB, UB, SB, LG, UG, LM, UM, MZ, SL, CP, GR, 04, 03, 02, 01

Standard Features Individual LEDs can be any one of three colours: RED, GREEN or AMBER
Simultaneous double character position (AMBER) and running arrow (RED for down and GREEN for up)
Override hall lantern arrow (RED for down, GREEN for up)
Out of service symbol (RED)
Horizontal scrolling messages (AMBER)
Vertical scrolling (floor changes or running arrow and hall lantern arrows)

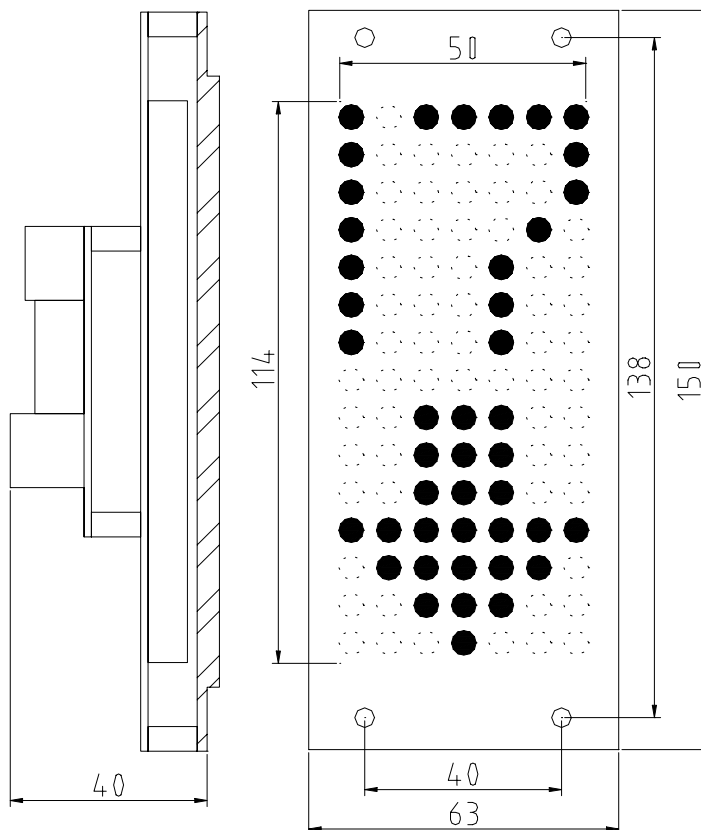
Switch Selectable Features Vertical scrolling running arrow or floor change
Hall lantern floor designations
Landing or car indicator function
Electronic chime volume

Electrical Detail Continuous power supply: 12vdc to 37vdc or 12vac to 24vac
Power supply consumption: 230mA @12vdc

General Unit supplied loose with a drilled & rebated Pacton lens (4.5mm thick, dark grey tinted) & fixing spacers

Optional Items Electronic chime
Stainless steel faceplate & mild steel backbox
Angled stainless steel surface mount enclosure

THIS UNIT CONNECTS ONTO OUR 4-WIRE NETWORK; THEREFORE, A CONTROL UNIT MUST BE ORDERED FOR EACH LIFT

MFCU50-3V

Faceplate Cut-Out: 124(h) x 60(w) mm

Fixings: 4x M3x20mm Studs

Description Three colour LED dot matrix display: 15 rows, 7 columns, 116mm high, 50mm wide, 5mm dots

Standard Floor Library 0 to 19, A to Z, -1 to -8

Standard Features

- Individual LEDs can be one of three colours: RED, GREEN or AMBER
- Simultaneous double character position (AMBER) and running arrow (RED for down, GREEN for up)
- Override hall lantern arrow (RED for down, GREEN for up)
- Out of service symbol (RED)
- Vertical scrolling messages (AMBER)
- Vertical scrolling (floor changes or running arrow and hall lantern arrows)

Switch Selectable Features

- Vertical scrolling running arrow or floor change
- Hall lantern floor designations
- Landing or car indicator function
- Electronic chime volume

Electrical Detail

- Continuous power supply: 12vdc to 37vdc or 12vac to 24vac
- Power supply consumption: 230mA @12vdc

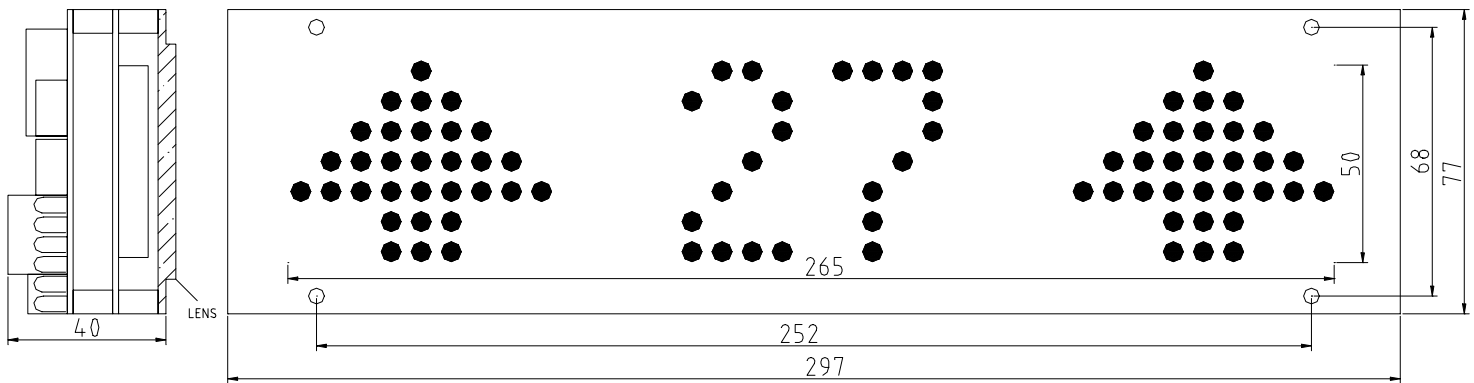
General Unit supplied loose with a drilled & rebated Pacton lens (4.5mm thick, dark grey tinted) & fixing spacers

Optional Items

- Electronic chime
- Stainless steel faceplate & mild steel backbox

THIS UNIT CONNECTS ONTO OUR 4-WIRE NETWORK; THEREFORE, A CONTROL UNIT MUST BE ORDERED FOR EACH LIFT

MFCU50-7H



Faceplate Cut-Out: 60(h) x 277(w) mm

Fixings: 4x M3x30mm Studs

Description Three colour LED dot matrix display: seven blocks, 7 rows, 35 columns, 50mm high, 265mm wide, 5mm dots.

Standard Floor Library 0 to 31, A to Z, -1 to -8, B1 to B8
LB, UB, SB, LG, UG, LM, UM, MZ, SL, CP, GR, 04, 03, 02, 01

Standard Features Individual LEDs can be any one of three colours: RED, GREEN or AMBER
Simultaneous position (AMBER), up to five characters, and running arrows (down RED and up GREEN)
Override hall lantern arrows (down RED and up GREEN) and scrolling NEXT UP or NEXT DOWN
Vertical scrolling (floor changes or running arrows and hall lantern arrows)
Horizontal scrolling messages (AMBER)

Switch Selectable Features Vertical scrolling running arrow or floor changes
Hall lantern floor designations
Landing or car indicator function
Electronic chime volume

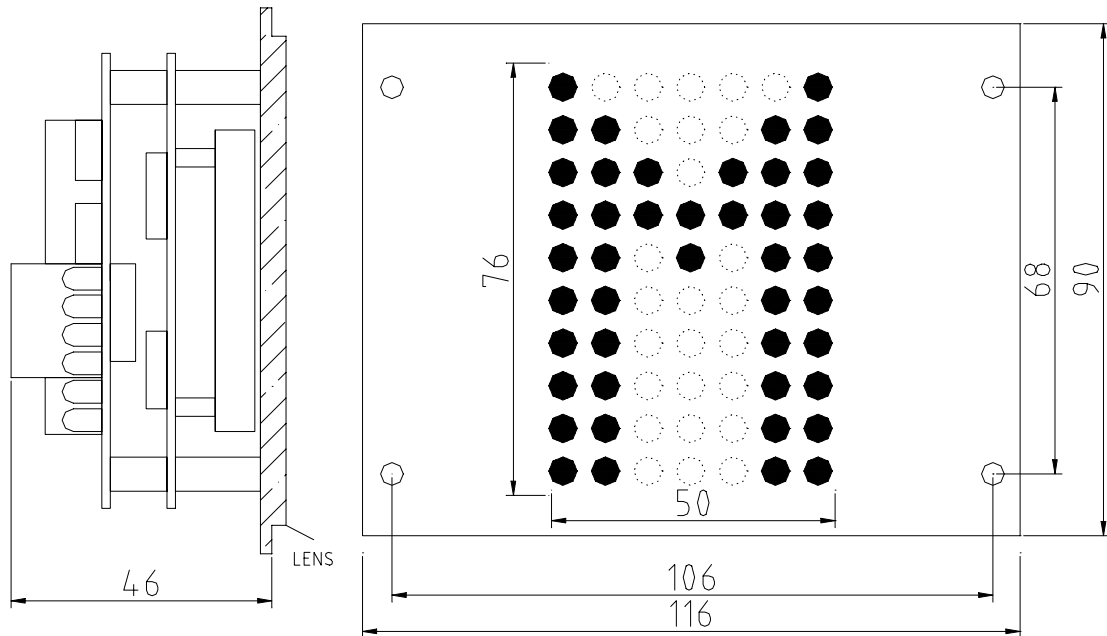
Electrical Detail Continuous power supply: 12vdc to 37vdc or 12vac to 24vac
Power supply consumption: 375mA @12vdc

General Unit supplied loose with a drilled & rebated Pacton lens (4.5mm thick, dark grey tinted) & fixing spacers

Optional Items Electronic chime
Stainless steel faceplate & mild steel backbox

THIS UNIT CONNECTS ONTO OUR 4-WIRE NETWORK; THEREFORE, A CONTROL UNIT MUST BE ORDERED FOR EACH LIFT

MFCU76-1



Faceplate Cut-Out: 86(h) x 60(w) mm

Fixings: 4x M3x30mm Studs

Description Three colour LED dot matrix display:10 rows, 7 columns, 76mm high, 50mm wide, 5mm dots

Standard Floor Library -1, 0 to 9 and A to Z

Standard Features Individual LEDs can be one of three colours: RED, GREEN or AMBER
 Single character position (AMBER)
 Override hall lantern arrow (RED for down, GREEN for up)
 Out of service symbol (RED)
 Vertical scrolling floor changes & running arrows

Switch Selectable Features Scrolling running arrow inserted between floor roll-over changes
 Hall lanterns only
 Scrolling running arrow overriding position
 Hall lantern floor designations
 Landing or car indicator function
 Electronic chime volume

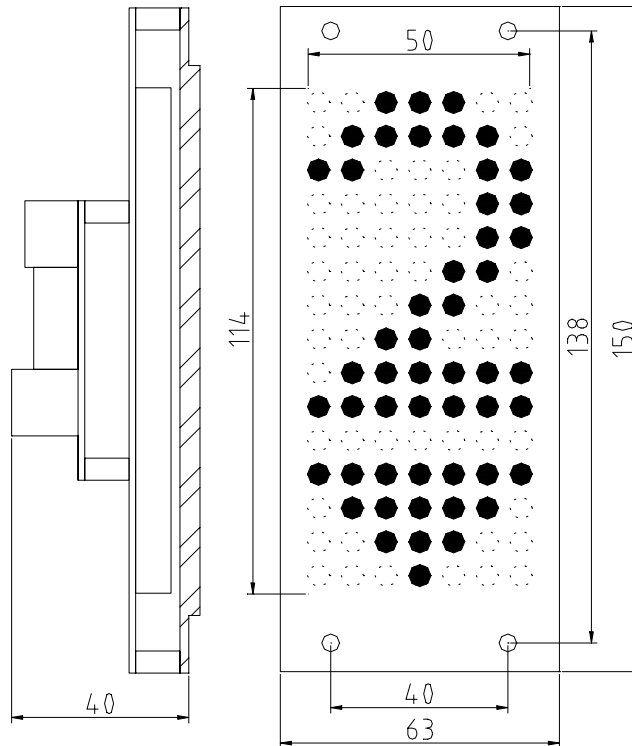
Electrical Detail Continuous power supply: 12vdc to 37vdc or 12vac to 24vac
 Power supply consumption: 200mA @12vdc

General Unit supplied loose with a drilled & rebated Pacton lens (4.5mm thick, dark grey tinted) & fixing spacers

Optional Items Electronic chime
 Stainless steel faceplate & mild steel backbox

THIS UNIT CONNECTS ONTO OUR 4-WIRE NETWORK; THEREFORE, A CONTROL UNIT MUST BE ORDERED FOR EACH LIFT

MFCU76-1V



Faceplate Cut-Out: 124(h) x 60(w) mm

Fixings: 4x M3x20mm Studs

Description Three colour LED dot matrix display: three block, 15 rows, 7 columns, 116mm high, 50mm wide, 5mm dots.

Standard Floor Library -1, 0 to 9 and A to Z

Standard Features Individual LEDs can be one of three colours: RED, GREEN or AMBER
 Simultaneous single character position (AMBER) and running arrow (RED for down, GREEN for up)
 Override hall lantern arrow (static, scrolling or flashing) (RED for down, GREEN for up)
 Out of service symbol (RED)
 Vertical scrolling floor changes or running arrows and hall lanterns
 Vertical scrolling messages (AMBER)

Switch Selectable Features Vertical scrolling running arrow or floor change
 Hall lantern floor designation
 Landing or car indicator function
 Electronic chime volume

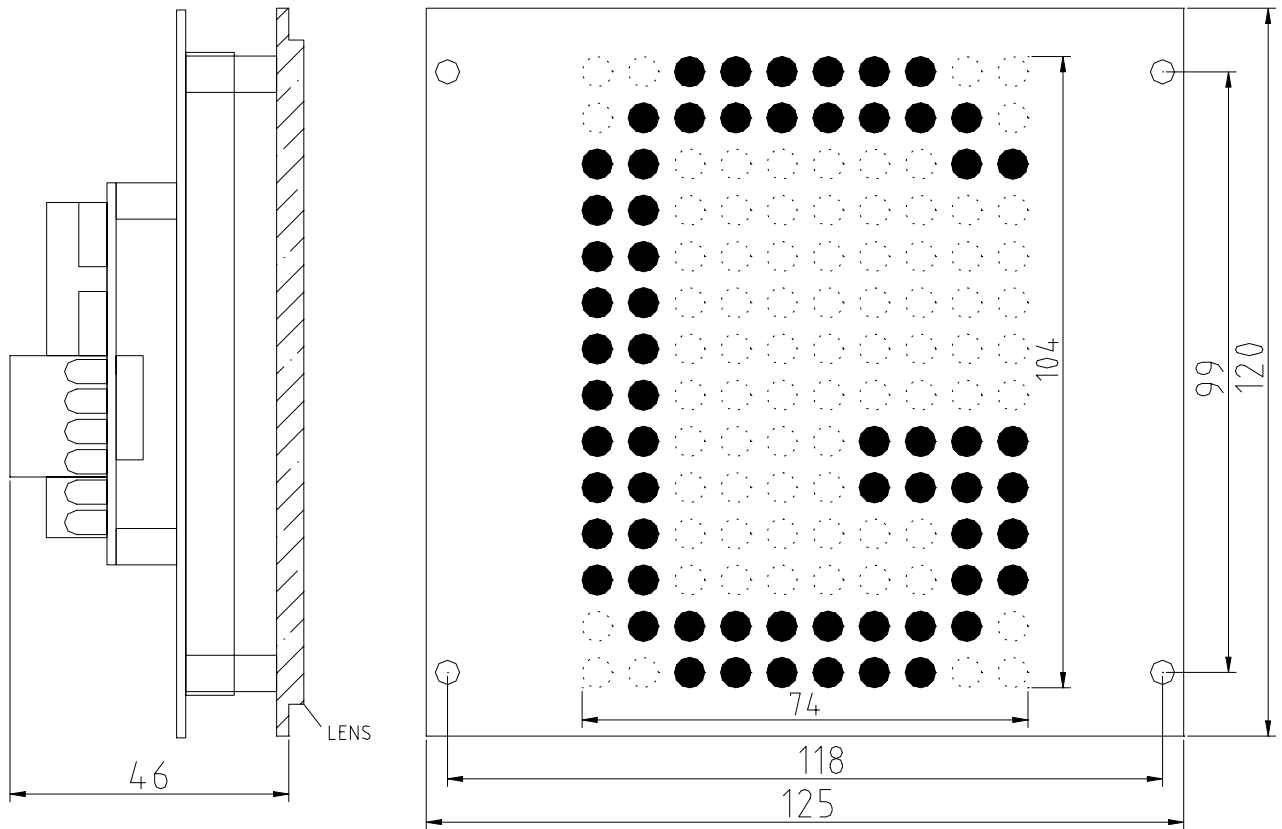
Electrical Detail Continuous power supply:12vdc to 37vdc or 12vac to 24vac
 Power consumption:220mA @ 12vdc

General Unit supplied loose with a drilled & rebated Pacton lens (4.5mm thick, dark grey tinted) & fixing spacers.

Optional Items Electronic chime
 Stainless steel faceplate & mild steel backbox

THIS PRODUCT CONNECTS TO OUR 4-WIRE NETWORK; THEREFORE, A CONTROL UNIT OR MULTI-FUNCTION SPEECH UNIT MUST BE ORDERED FOR EACH LIFT.

MFCU50-4



Faceplate Cut-Out: 110(h) x 86(w) mm

Fixings: 4x M3x25mm Studs

Description Three colour LED dot matrix display: four blocks, 14 rows, 10 columns, 100mm high, 74mm wide, 5mm dots.

Standard Floor Library 0 to 9 and A to Z

Standard Features Individual LEDs can be any one of three colours: RED, GREEN or AMBER
 Single character position (AMBER)
 Override hall lantern arrows (down RED and up GREEN)
 Out of service symbol (RED)
 Vertical scrolling (floor changes and hall lantern arrows)
 Horizontal scrolling messages (AMBER)

Switch Selectable Features Scrolling running arrow inserted between roll-over floor changes
 Hall lantern floor designations
 Landing or car indicator function
 Electronic chime volume

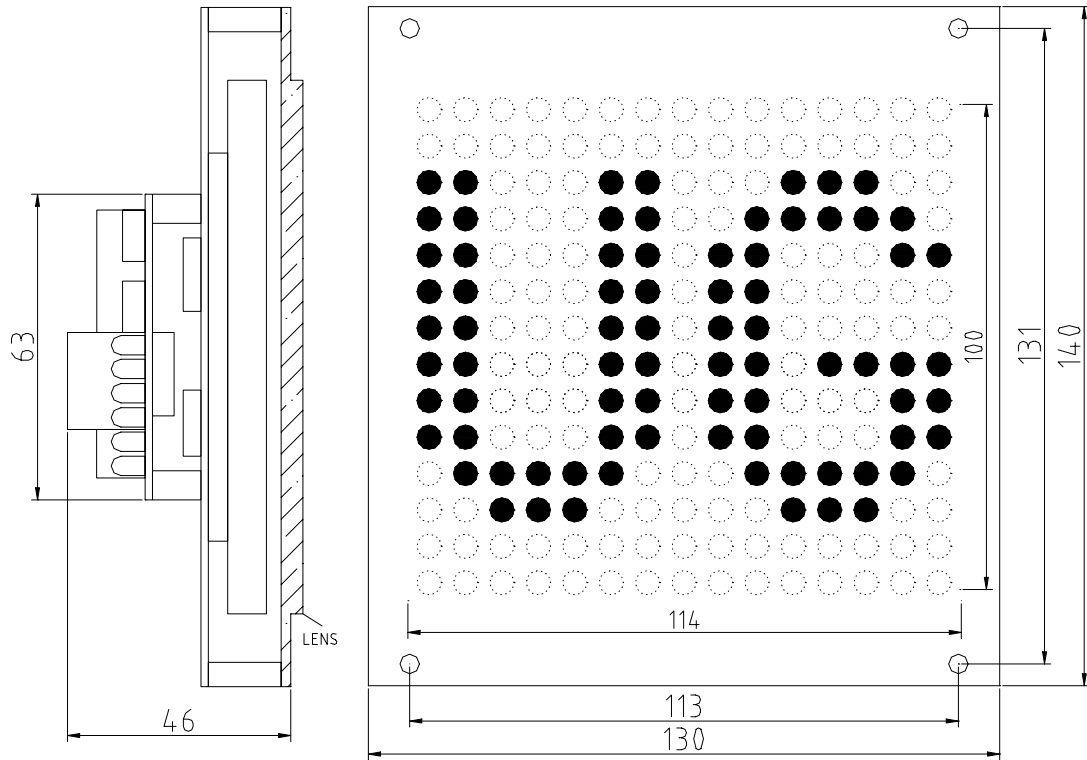
Electrical Detail Continuous power supply: 12vdc to 37vdc or 12vac to 24vac
 Power supply consumption: 270mA @12vdc

General Unit supplied loose with a drilled & rebated Pacton lens (4.5mm thick, dark grey tinted) & fixing spacers

Optional Items Electronic chime
 3-D lens and side arrow option – LENS504 (see data sheet)
 Stainless steel faceplate & mild steel backbox

THIS UNIT CONNECTS ONTO OUR 4-WIRE NETWORK; THEREFORE, A CONTROL UNIT MUST BE ORDERED FOR EACH LIFT

MFCU50-6



Faceplate Cut-Out: 110(h) x 124(w) mm

Fixings: 4x M3x25mm Studs

Description Three colour LED dot matrix display: 14 rows, 15 columns, 100mm high, 114mm wide, 5mm dots

Standard Floor Library 0 to 31, A to Z, -1 to -8, B1 to B8
LB, UB, SB, LG, UG, LM, UM, MZ, SL, CP, GR, 04, 03, 02, 01

Standard Features Individual LEDs can be any one of three colours: RED, GREEN or AMBER
Double character position (AMBER) – standard: 76mm high font
Override hall lantern arrow (RED for down, GREEN for up) – 100mm high
Out of service symbol (RED)
Horizontal scrolling messages (AMBER) – 50mm high font
Vertical scrolling floor changes
Static or flashing hall arrows

Switch Selectable Features Vertical scrolling running arrow inserted between floor changes
Hall lantern floor designations
Landing or car indicator function
Electronic chime volume

Electrical Detail Continuous power supply: 12vdc to 37vdc or 12vac to 24vac
Power supply consumption: 350mA @12vdc

General Unit supplied loose with a drilled & rebated Pacton lens (4.5mm thick, dark grey tinted) & fixing spacers

Optional Items Electronic chime
Stainless steel faceplate & mild steel backbox
3-D lens and side-arrow option – LENS506 (see data sheet)

THIS UNIT CONNECTS ONTO OUR 4-WIRE NETWORK; THEREFORE, A CONTROL UNIT MUST BE ORDERED FOR EACH LIFT