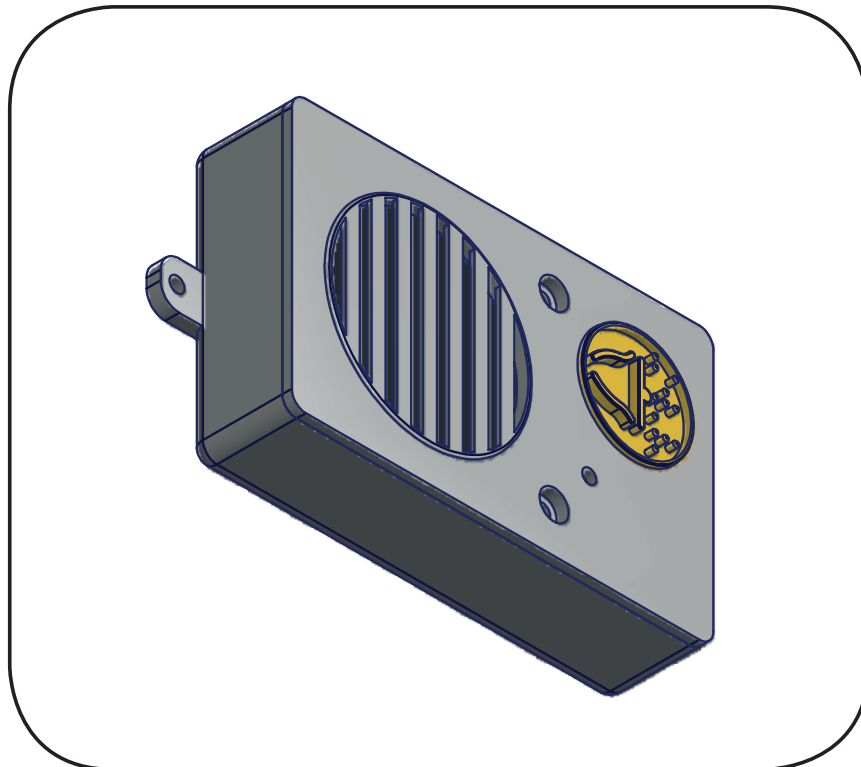


# BOX - SC

Under car voice call



[www.anepanywhere.com](http://www.anepanywhere.com)

## RECOMMANDATIONS

Cette documentation s'adresse à des professionnels formés et aguerris au milieu ascensoriste.

En conséquence, lors d'une intervention sur un ascenseur afin d'installer les matériels **ANEP**, les règles de sécurité propres à la profession se doivent d'être respectées.

- Utilisation des « **Equipements de Protection Individuel** ».
- **Consignation** de l'installation avant d'effectuer tous raccordements électriques.
- **Se mettre en sécurité avant d'intervenir en gaine.**
- Etc.....

Avant toutes manipulations des appareillages ANEP, s'assurer d'avoir au préalable mis ces derniers **HORS TENSION**.

Sur tout équipement « ANEP BOX » ( TA, TX, TX+,.....), Il est indispensable de connecter l'ensemble des périphériques **AVANT** de raccorder la ligne téléphonique.

# DIMENSIONS

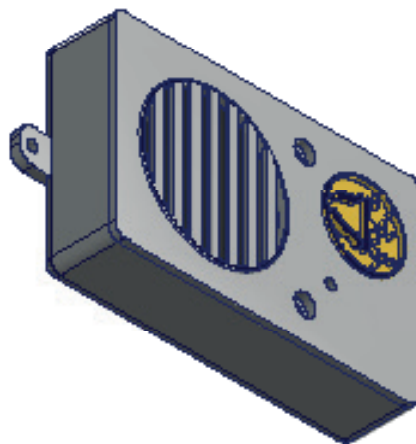
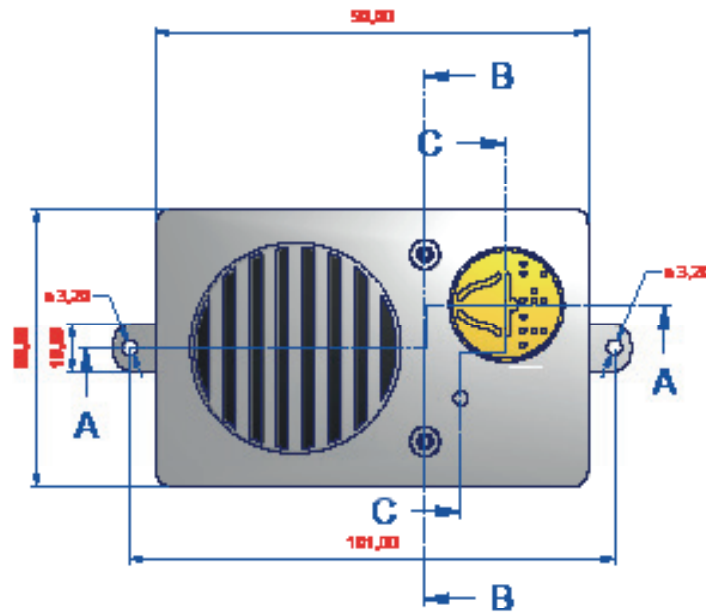
AA(1:1)



BB(1:1)



CC(1:1)



# INSTALLATION and ASSEMBLY

As ANEP BOX automatically detects the nature of external devices, it is essential to connect them BEFORE connecting the telephone line.

The performance of telephone equipment depends largely upon the characteristics of the telephone line.

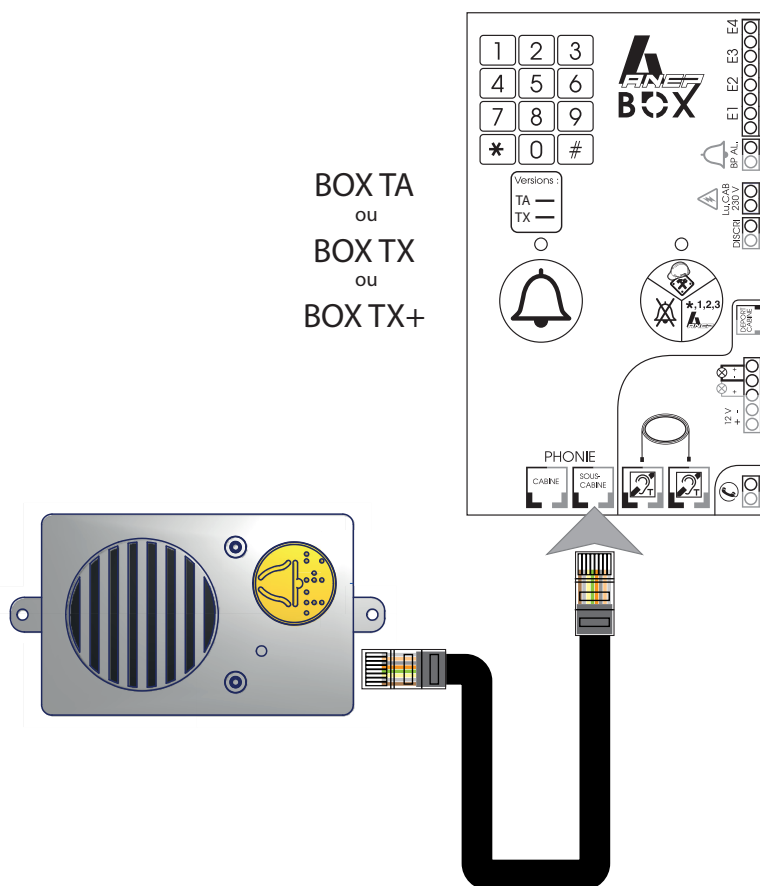
Particular care must be taken to ensure the delivery of telephone line in order not to degrade the standard specifications.

Check the wiring, especially if they connect several elevators machine rooms

- Type of cable
- Cable-trays (current low / high)
- Parasites (VMC, generators),
- Etc ...

## Travelling cable :

We recommend you to equip the elevator with a shielded travelling cable, to ensure excellent voice quality and to avoid any disturbances that cause potential malfunctions.



BOX-SC module is installed under car and is connected to the ANEP BOX TA / TX / TX + through the cable ,to the RJ45 connector - under car VOICE.

BOX-SC module is equipped with an alarm button to trigger an alarm and to establish voice communication with an operator.

# NOTES

---

---

---

---

---

---

---

---

---

---

---

---

---

---

---

---

---

---

---

---

---

---

---

---

# NOTES

---

---

---

---

---

---

---

---

---

---

---

---

---

---

---

---

---

---

---

---

---

---

---

---

---

---

---

---

---

---



After sale service ensured by

**SAV-TEL**

4 bis rue de Paris 94470 Boissy-Saint-Léger

Tel : +33 1 45 98 34 44

Fax : +33 1 45 69 75 45

Website : [www.anepanywhere.com](http://www.anepanywhere.com)

