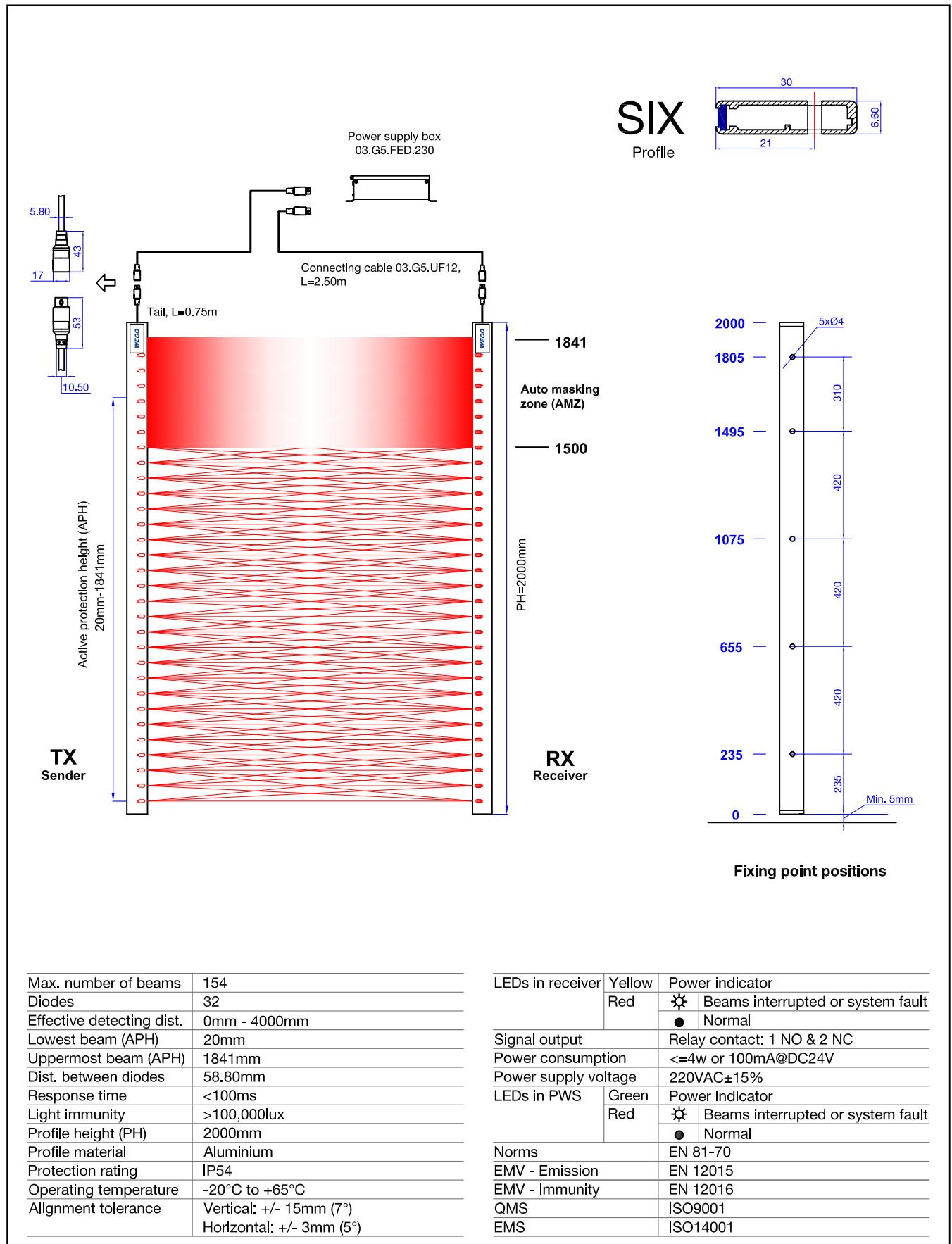
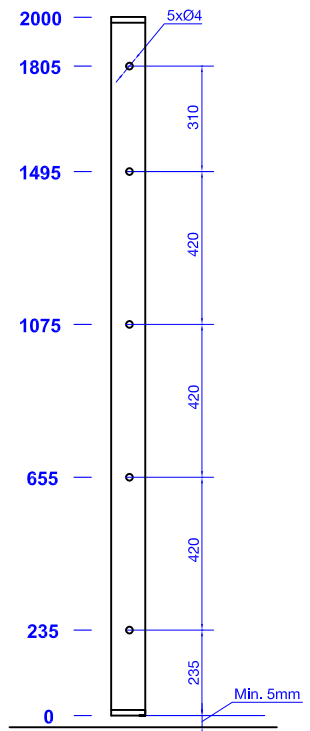
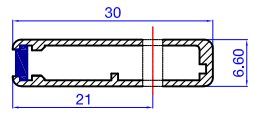


DATA SHEET
DOOR DETECTOR 03.G5.SIX.154.FED.230



SIX
Profile



Fixing point positions

Max. number of beams	154
Diodes	32
Effective detecting dist.	0mm - 4000mm
Lowest beam (APH)	20mm
Uppermost beam (APH)	1841mm
Dist. between diodes	58.80mm
Response time	<100ms
Light immunity	>100,000lux
Profile height (PH)	2000mm
Profile material	Aluminium
Protection rating	IP54
Operating temperature	-20°C to +65°C
Alignment tolerance	Vertical: +/- 15mm (7°) Horizontal: +/- 3mm (5°)

LEDs in receiver	Yellow	Power indicator
	Red	⚠ Beams interrupted or system fault ● Normal
Signal output	Relay contact: 1 NO & 2 NC	
Power consumption	<=4w or 100mA@DC24V	
Power supply voltage	220VAC±15%	
LEDs in PWS	Green	Power indicator
	Red	⚠ Beams interrupted or system fault ● Normal
Norms	EN 81-70	
EMV - Emission	EN 12015	
EMV - Immunity	EN 12016	
QMS	ISO9001	
EMS	ISO14001	

Doc. Nr.	03.G5.SIX.154.FED.230	Date	11.SEP.2019
Control	E319020		