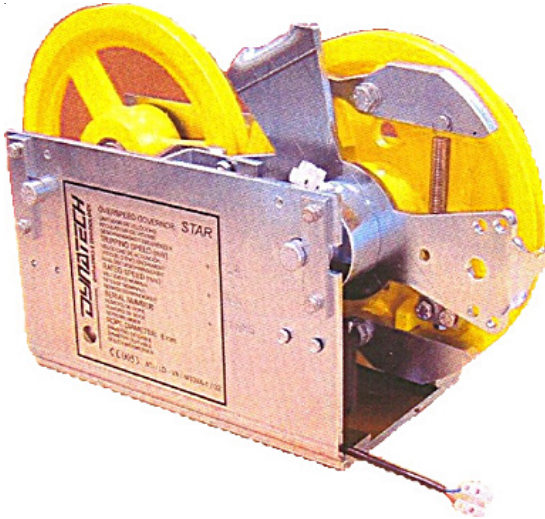




NEW PRODUCT



BENEFITS OF THIS SYSTEM

- NO TENSION WEIGHT SYSTEM REQUIRED
- IDEAL FOR RESTRICTED LIFT SHAFTS
- ONLY ONE LENGTH OF ROPE REQUIRED
- NO HOLES NEEDED WITHIN THE MACHINE ROOM FLOOR
- CAN BE MOUNTED ON THE LIFT CAR TOP OR BELOW
- BI-DIRECTIONAL GOVERNOR
- CAN BE FITTED TO MOST SAFETY GEAR SYSTEMS
- CERTIFIED ATISAE TO STANDARD 95/16/CE & EN81

Code: STAR/01
Price: £170.00

**F
R
E
E

C
A
R
R
I
A
G
E**

(S.T.C)

TEL: 0116 266 2241
E-Mail: sales@elevatorequipment.co.uk



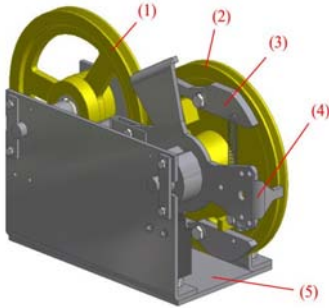
FAX: 0116 266 2242
www.elevatorequipment.co.uk

TECHNICAL INFORMATION:

- Minimum Rated Speed - 0.4m/s
- Maximum Rated Speed - 2.30m/s
- Rope Size - 6mm
- Pulley Diameter - 200mm

OPTIONAL EXTRA:

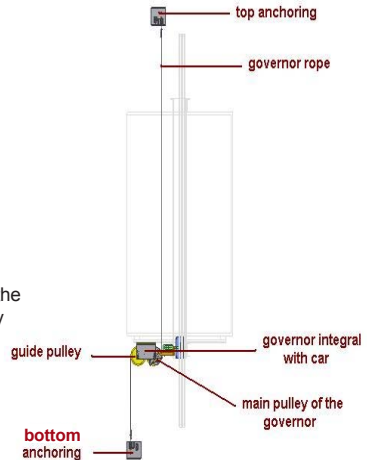
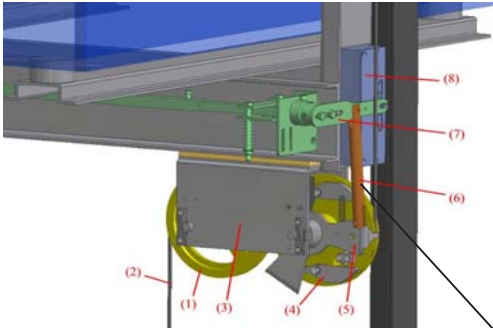
- Remote Control 24 VDC or 48VDC
- Encoder



1. Guide Pulley
2. Main Pulley
3. Centrifugal System
4. Locking System
5. Car or Sling Fixing Plate

CAR LAYOUT DRAWING

SHAFT LAYOUT DRAWING



NOTE: The connecting rod between overspeed governor and the safety gear system is to be manufactured by the lift company

1. Guide Pulley
2. Main Pulley
3. Governor
4. Centrifugal System
5. Locking Device
6. Auxiliary System
7. Driving Bar
8. Safety Gear

TEL: 0116 266 2241
E-Mail: sales@elevatorequipment.co.uk



FAX: 0116 266 2242
www.elevatorequipment.co.uk

FREE CARRIAGE
(S.T.C)

